

# HQ Gallery2<sup>™</sup> Frame 14-Foot Extension Kit

**For converting a 12-foot frame to a 14-foot Frame**

Assembly Instructions  
QF30003

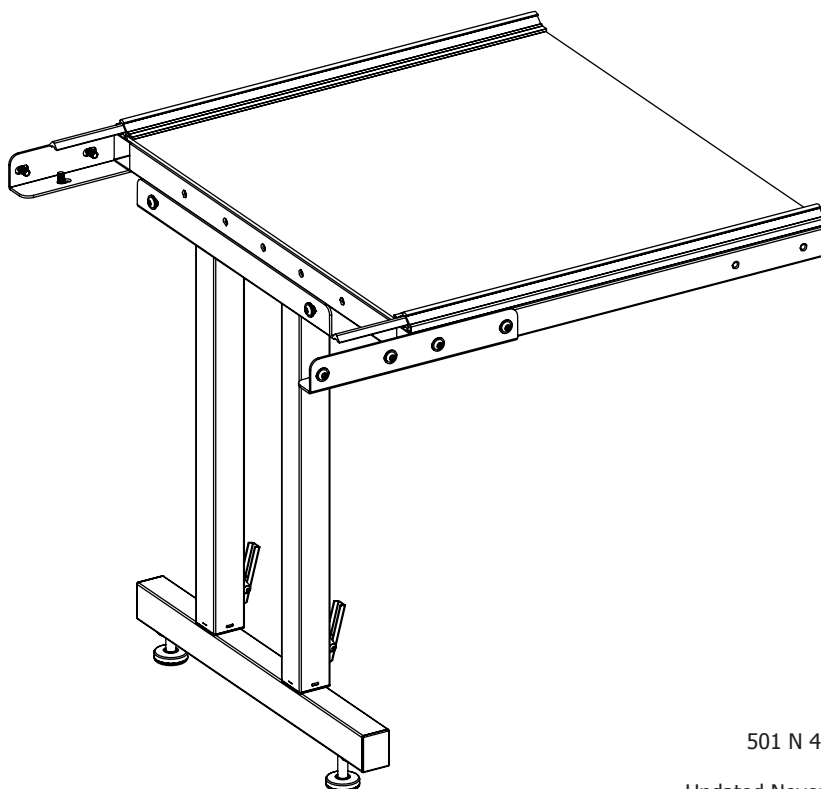
**Overview and Compatibility:** This kit is designed to work with straight-leg Fusion, Gallery, and Gallery2 frames, to convert a 12-foot frame into a 14-foot frame. It is not designed to work on any curved leg Fusion frames or with the Gallery2 10-foot frame (*It is not interchangeable with Box 5 of the QF12026-10 Gallery2 10' frame*).

The QF12026-14 two-foot extension along with QF12026-12 will result in a 14-foot Gallery frame.

---

**Section 1:** Covers assembly instructions of a new 12 foot Gallery2 Frame with the Two Foot Extension.

**Section 2:** Covers assembly when adding the two foot extension to an existing 12 foot frame on a straight leg Fusion, Gallery, or Gallery2 frame, starting with Step S2, 1-1 on page 34.



# HQ Gallery2 Frame 14-Foot Extension Kit


## Table of Contents

### Section 1: Assembly Gallery2 Frame with Two-Foot Extension Kit for 14-Foot Frame

HQ Gallery2 Frame 14-Foot Extension Kit Table of Contents . . . .	page 2
What's Included, Bill of Materials . . . . .	page 3
HQ Gallery2 Frame Box Contents . . . . .	page 5
Step 1: Frame Side Assembly. . . . .	page 8
Step 2: Table Assembly . . . . .	page 9
Step 3: Attaching Middle Leg to Table . . . . .	page 11
Step 4: Attaching Frame Sides to Table . . . . .	page 13
Step 5: Tapping and Drilling Track Supports (If Needed) . . . . .	page 16
Step 6: Precision-Glide Track Support Assembly . . . . .	page 17
Step 7: Mounting Precision-Glide Track Supports . . . . .	page 18
Step 8: Front Side Arm Assembly to Connection Arm . . . . .	page 20
Step 9: Rear Side Arm Assembly to Front Side Arm Assembly. . . . .	page 21
Step 10: Side Arm Assembly to Frame Assembly . . . . .	page 23
Step 11: Ratchet Stop Assembly . . . . .	page 24
Step 12: Pole Assembly . . . . .	page 25
Step 13: Adding Pole Ends . . . . .	page 26
Step 14: Pole to Frame Assembly . . . . .	page 29
Step 15: Rubber End Cap Assembly . . . . .	page 29
Step 16: Bungee Clamp Assembly . . . . .	page 30
Step 17: Optional Velcro® Assembly . . . . .	page 30
Step 18: Velcro® on Pole Assembly . . . . .	page 31
Step 19: Attach Leaders. . . . .	page 31
Step 20: Adjusting HQ Gallery2 Frame Height . . . . .	page 32
Step 21: Using Pole Cradles. . . . .	page 33

### Section 2: Adding the Two-Foot Extension to an Existing Straight Leg Fusion, Gallery, Gallery2 Frame for 14-Foot

Step S2, 1: Preparing an Existing Frame for Extension . . . . .	page 34
Step S2, 2: Adding the Two-Foot Table Extension . . . . .	page 36
Step S2, 3: Adding the Middle Leg Assembly . . . . .	page 37
Step S2, 4: Adding the Frame Side Assembly . . . . .	page 38
Step S2, 5: Adding the Frame Side Coupler and Corner Screws . . . . .	page 39
Step S2, 6: Drilling and Tapping Track Supports (If Needed) . . . . .	page 40
Step S2, 7: Precision-Glide Track Supports Assembly . . . . .	page 41
Step S2, 8: Mounting Track Supports to Frame Table Top. . . . .	page 42
Step S2, 9: Lengthening Poles from 12-Foot to 14-Foot . . . . .	page 44

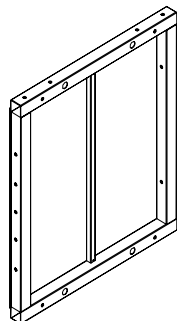
 **NOTE:** Please see pages 28-32 for the balance of the instructions, #14 through #20.

# What's Included - Bill of Materials

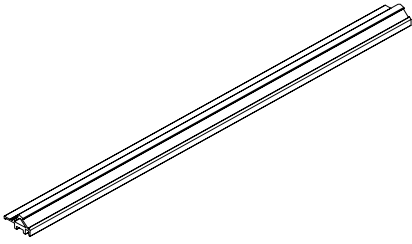
## Contents: HQ Gallery2 Two-Foot Extension #QF12026-14

### Bill Of Materials for QF12026-14:

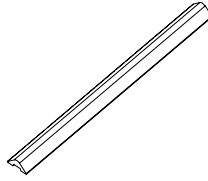
1	QF12026-300	Two-Foot Table Section
2	QF09304-02	Track Support 2'
2	QF09318-03	Track Support Coupler
2	QF09318-05	Table Splice Brace
16	QF09318-07	Screw M8 x 1.25 x 16 SBHCS
4	QF09318-14	Track Insert 14 ft
1	QF09318-702	Pole Coupler (for 1.5" poles)
1	QF12405-600	Middle Leg Assembly (with leveler feet)
4	QF12405-702	Pole Coupler (for 2" poles)
4	QF12026-701	Gallery Pole Section 2 foot (2")
1	QF09304-701	Pole Section 2 foot (1.5")
1	QF10619	2 Feet of 3/8" Hook White with Adhesive Back
1	QF10620	2 Feet of 3/8" Loop White with Adhesive Back
1	QF30003	Instructions HQ Gallery2 Two Foot Extension (not shown)
1	QF10040	Drill and Tap Kit- Gallery consisting of: Drill/Tap bit M5X0.8 and template
1	QF09549	Leader Set 13ft



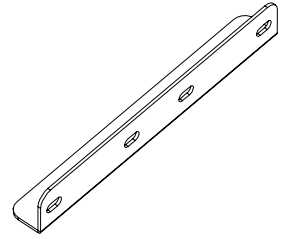
(1) Two-Foot Table Section



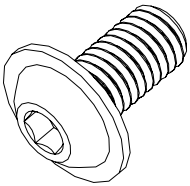
(2) Track Support 2 foot



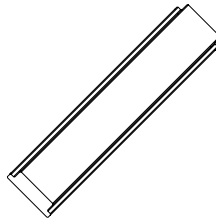
(2) Track Support Coupler



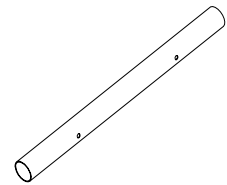
(2) Table Splice Brace



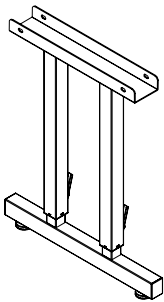
(16) Screw M8x1.25x16 SBHCS



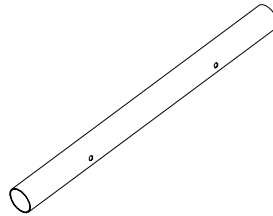
(4) Track Insert 14 ft



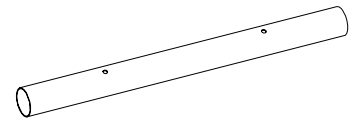
(1) Pole Coupler (for 1.5" poles)



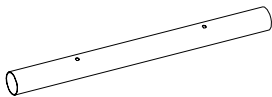
(1) Middle Leg Assembly



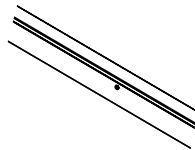
(4) Pole Coupler (for 2" poles)



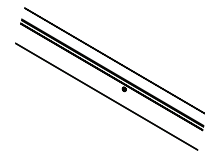
(4) Pole Section 2 foot 2"



Pole Section 2 foot 1.5"



2' of 3/8" Hook White w/Adh Bk



2' of 3/8" Loop White w/Adh Bk



# HQ Gallery2 Frame Box Contents

## 12-foot Frame (QF12026-12)

### Box 1/6 (Table sections)

(2) 4-foot table sections

### Box 2/6 (End leg components, middle legs, pole couplers)

(2) End leg components

(2) Middle legs

(10) Pole couplers

### Box 3/6 (All other parts and hardware)

Side arm components

(2) Connector arms

(4) Frame side pieces

(4) Table splice braces

(2) Frame side couplers

(6) Bungee side clamps

(4) 12-foot plastic track insert

Hardware and tools

### Box 4/6 (Pole sections)

(10) Pole sections

### Box 5/6 (4-foot table section)

(5) Pole sections

Velcro®

Leader set

### Box 6/6 (Track supports)

\*\*\*Not boxed\*\*\*

(2) 12-foot track supports

If you find you are missing any items, please contact your retailer or Handi Quilter immediately.  
1-877-697-8458 • 1-801-292-7988 • [HQcares@HandiQuilter.com](mailto:HQcares@HandiQuilter.com)

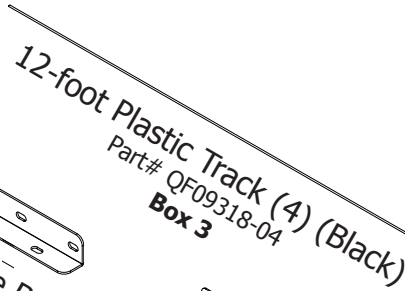
# HQ Gallery2 Frame Parts List



13-Foot Gallery  
Leader Set (1)  
Part:# QF09549  
**Box 5**



12-foot Track Support Section (2)  
12-foot frame Part:# QF12405-02  
**Box 6 / 6 not boxed**



12-foot Plastic Track (4) (Black)  
Part:# QF09318-04  
**Box 3**

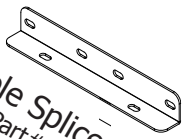
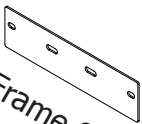
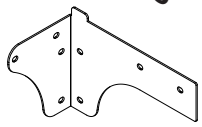


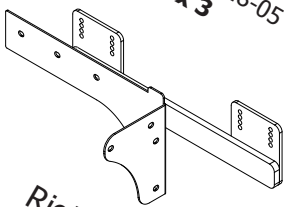
Table Splice Brace (4)  
Part:# QF09318-05  
**Box 3**



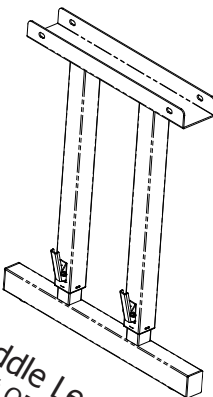
Frame Side  
Coupler (2)  
Part:# QF12405-01  
**Box 3**



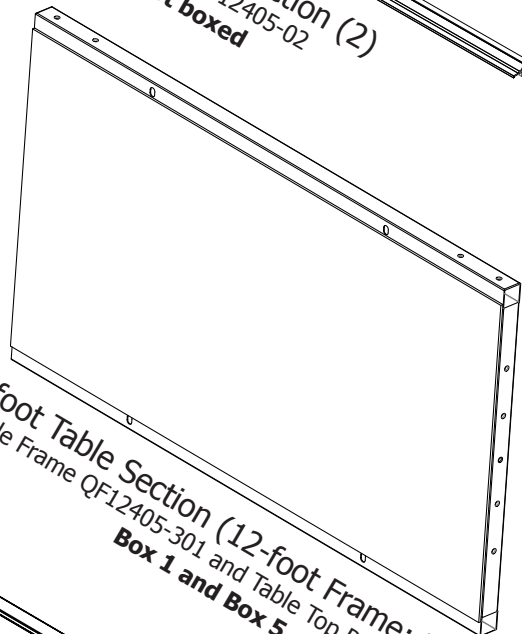
Right Frame  
Side Back (1)  
Part:# QF12405-412  
**Box 3**



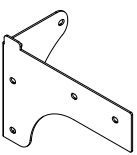
Right Frame  
Side Front (1)  
Part:# QF12405-515  
**Box 3**



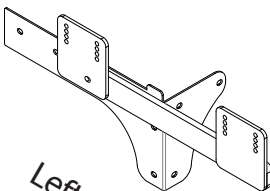
Middle Leg (2)  
Part:# QF12405-600  
**Box 2**



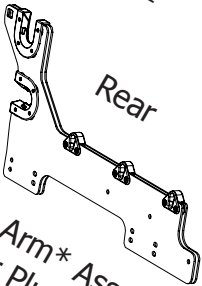
4-foot Table Frame Section (12-foot Frame: 3 qty)  
4-foot Table Frame Part:# QF12405-301 and Table Top Part:# QF12405-302  
**Box 1 and Box 5**



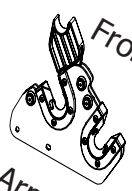
Left Frame Side  
Back (1)  
Part:# QF12405-512  
**Box 3**



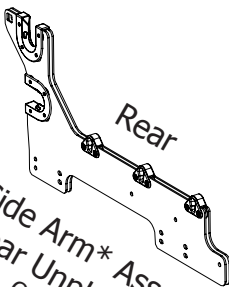
Left Frame Side  
Front (1)  
Part:# QF12405-525  
**Box 3**



Side Arm\* Assembly  
Rear Plugged (1)  
QF12026-802  
**Box 3**



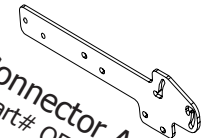
Side Arm\* Assembly  
Front Plugged (1)  
QF12026-804  
**Box 3**



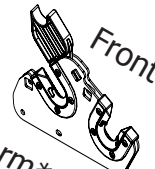
Side Arm\* Assembly  
Rear Unplugged (1)  
QF12026-801  
**Box 3**



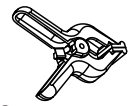
Velcro® Strip (2)  
Part:# QF10613  
**Box 5**



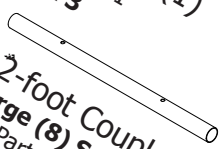
Connector Arm (2)  
Part:# QF12026-103  
**Box 3**



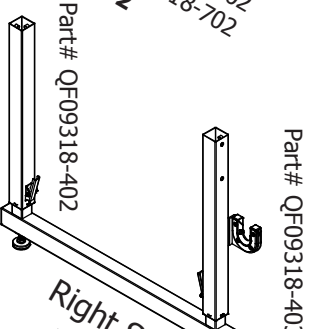
Side Arm\* Assembly  
Front Unplugged (1)  
QF12026-803  
**Box 3**



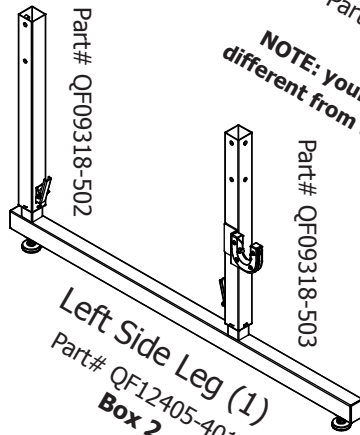
Bungee Side Clamp (6)  
Part:# QF09318-110  
**Box 3**  
**NOTE: your clamps may be different from the one pictured.**



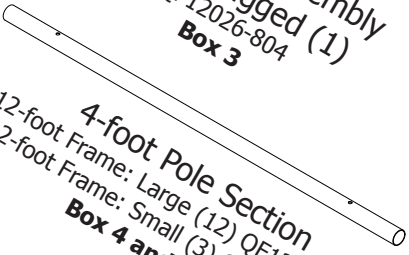
2-foot Coupler  
Large (8) Small (2)  
Large Part:# QF12405-702  
Small Part:# QF09318-702  
**Box 2**



Right Side Leg (1)  
Part:# QF12405-401  
**Box 2**



Left Side Leg (1)  
Part:# QF12405-401  
**Box 2**

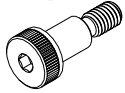


4-foot Pole Section  
12-foot Frame: Large (12) QF12405-701  
12-foot Frame: Small (3) QF09318-701  
**Box 4 and Box 5**

\*Patent Pending

# HQ Gallery2 Frame Hardware List

## These parts found in Box #3



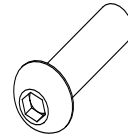
Screw-M8 x 12mm SKC  
Shoulder ZN (4)  
Part# QF09320-07



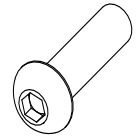
M8 Lock Nut (14)  
Part# QF09318-08



M10 Regular Nut  
(1) See Note page 19



M8 x 25mm Socket  
Button Head Cap Screw  
(SBHCS) (14)  
Part# QF09318-06



M8 x 35mm  
Socket Button Head Cap  
Screw (SBHCS) (2)  
Part# QF12405-111



Washer-M6x12x1.5mm  
zinc (4) Part# QM10642



Rubber End Cap (10)  
Part# QF09318-716



M8 Flat Washer (18)  
Part# QF09318-09



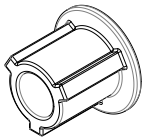
M6 x 12mm Connector  
Screw (12 total)  
Part# QF09318-303



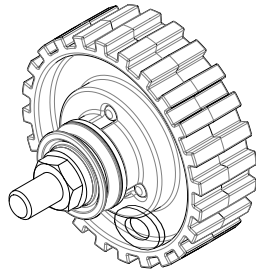
M8 x 16mm Socket  
Button Head Cap  
Screw (SBHCS)  
(64 total)  
Part# QF09318-07



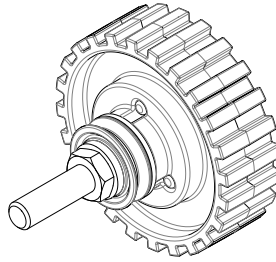
Nut-M6x10x5mm zinc  
(4) Part# QM10216



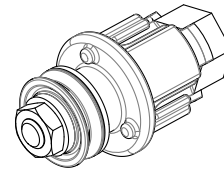
Hand Wheel Insert (1)  
**May be pre-assembled  
with Hand Wheel.**  
Part# QF09318-713



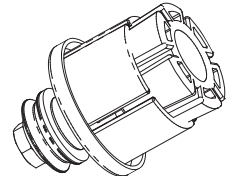
Short Bolt Ratchet  
Wheel Assembly (2)  
Part# QF09240



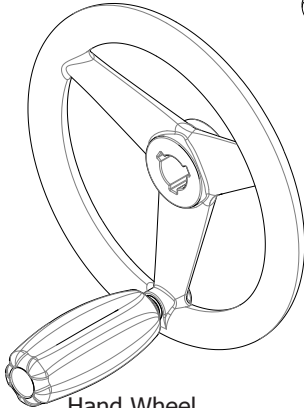
Long Bolt Ratchet  
Wheel Assembly (1)  
Part# QF09241



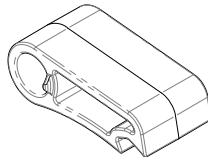
Small Pole End (2)  
Part# QF09326



Large Pole End (5)  
Part# QF09242



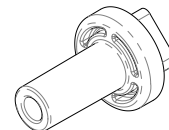
Hand Wheel  
Assembly (1)  
Part# QF09325



Ratchet-Stop Latch (4)  
Part# QF09318-203



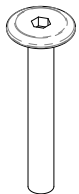
Ratchet-Stop  
Mount (4)  
Part# QF09318-202



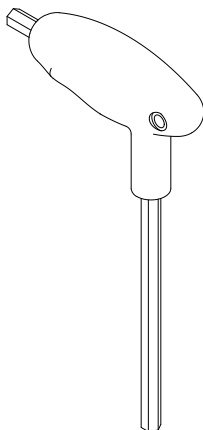
Ratchet-Stop  
Bushing (4)  
Part# QF09318-201



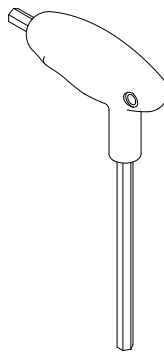
Ratchet-Stop  
Holder (4)  
Part# QF09318-205



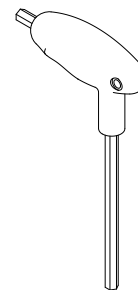
M6 x 45mm  
Connector Screw (4)  
Part# QF09318-204



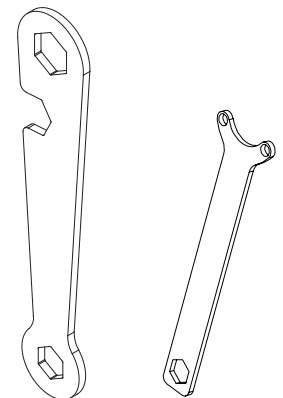
5mm Allen Wrench (1)  
Part# QF09318-113



4mm Allen Wrench (1)  
Part# QF09318-112

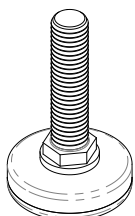


3mm Allen Wrench (1)  
Part# QF09318-111



17/13/16mm  
Wrench (1)  
Part#  
QF09318-  
114

Pole End  
Wrench (1)  
Part#  
QF09318-  
12



Leveling Foot (8)  
Part# QF09318-108

# Section 1: Assembly Gallery2 Frame with Two-Foot Extension Kit for 14-Foot Frame

## Step 1: Frame Side Assembly

**IMPORTANT:** Before starting, read the following: Fusion, Gallery and some Gallery 2 frames shipped without three holes drilled and tapped into each end of the 12-foot track supports. These tapped holes are for securing the track support couplers. In the rare case that your track supports do not have these three tapped holes, please do the following:

Call 1-877-697-8458 and ask for the: **QF10040 Drill and tap kit-Gallery.** It will be shipped to you without charge. Please let the Customer Relations or Technical Solutions desk know your urgency for the order, so it can be shipped appropriately to you.

**NOTE:** Assembly is easiest if all connections are finger-tightened first as instructed, while assembling the frame. Tighten with the wrench only when instructed.

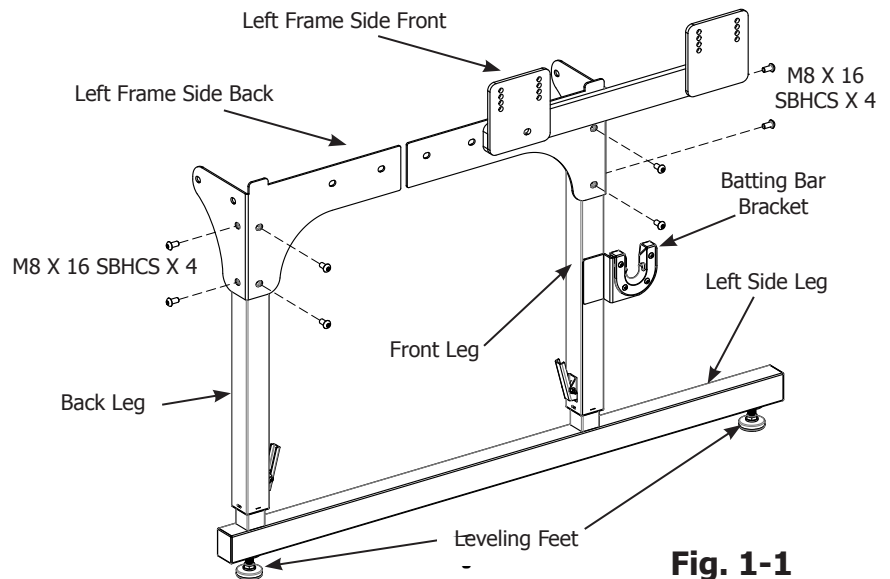
Why is this important? If you tighten as you go, you may have trouble getting all the parts to align properly.

### Parts Needed

- 1 - right side leg
- 1 - left side leg
- 1 - right frame side front
- 1 - left frame side front
- 1 - right frame side back
- 1 - left frame side back
- 4 - leveling Foot
- 16 - M8X16mm SBHCS

### Tools Required

- 5mm Allen wrench (provided)



**NOTE:** Make sure both height-adjustable legs are at their lowest setting before proceeding. This will facilitate height adjustment of the frame in **step 18.**

Remember that the batting storage pole bracket needs to be on the outside of the leg. (Fig. 1-1)

**1-1:** Screw two (2) leveling feet into the bottom of the left side leg, as shown in Fig 1-1.

**1-2:** Attach the left frame side back onto the side leg with two (2) M8x16mm SBHCS screws into the back of the back leg. Next install two (2) more M8 x 16mm SBHCS screws into the side of the back leg. Finger-tighten the screws only for now. You will tighten the screws with an Allen wrench later in **step 4-9.**

**1-3:** Attach the left frame side front onto the side leg using two (2) M8 x 16mm SBHCS screws into the front of the front leg. Next install two (2) more M8 x 16mm SBHCS screws into the side of the front leg. Finger-tighten the screws only for now. You will tighten the screws with an Allen wrench later in **step 4.9.**

**1-4:** Repeat **steps 1-1 through 1-3** to complete the right side leg.

## Step 2: Table Assembly

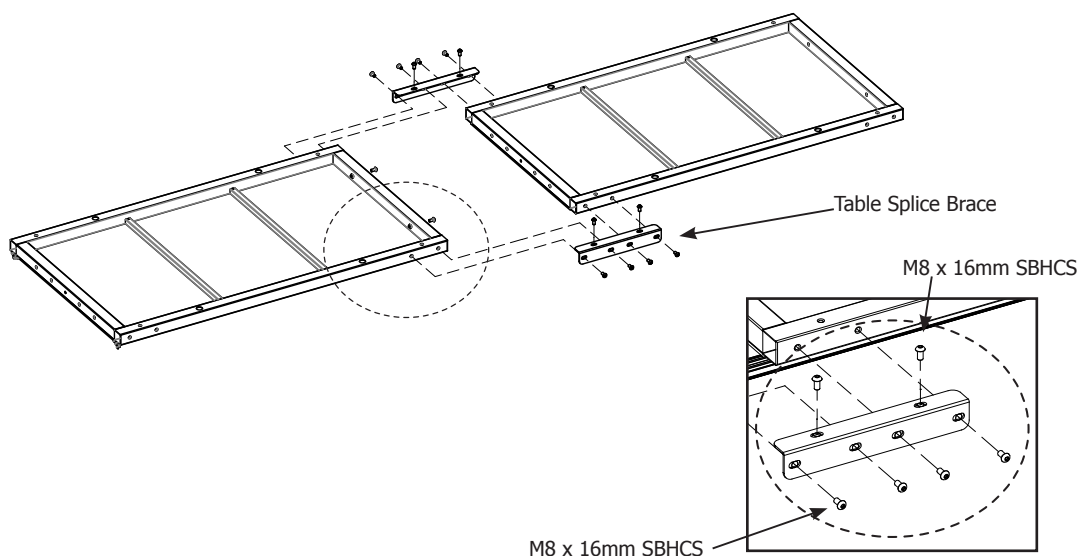


Fig. 2-1

**NOTE:** For this step, a carpeted surface is recommended for the protection of your floor and frame.

If you are working on a hard surface (such as tile, hardwoods or concrete), cover the surface with a blanket or rug.

**NOTE:** Remember to finger-tighten all screws first. Once all are in place, tighten using the 5mm Allen wrench (provided) as instructed.

**NOTE:** For 10-foot frames the 2-foot table section goes in the center.

### Parts Needed

3 - table sections (4 foot)  
1 - table section ( 2 foot)  
6 - table splice brace  
36- M8 x 16mm SBHCS

### Tools Required

5mm Allen wrench (provided)

**2-1:** First, lay two table sections upside-down on the floor, end to end, close to each other. Join the sections together by placing a table splice brace onto the sections, as shown in Fig 2-1, lining up the holes in the brace with those in the sections. Make sure the flange portion of the brace is on top. Fig 2-1.

**2-2:** Place four (4) M8 x 16mm SBHCS through the side and two (2) M8 x 16mm through the top of each splice brace and finger-tighten them into the table sections.

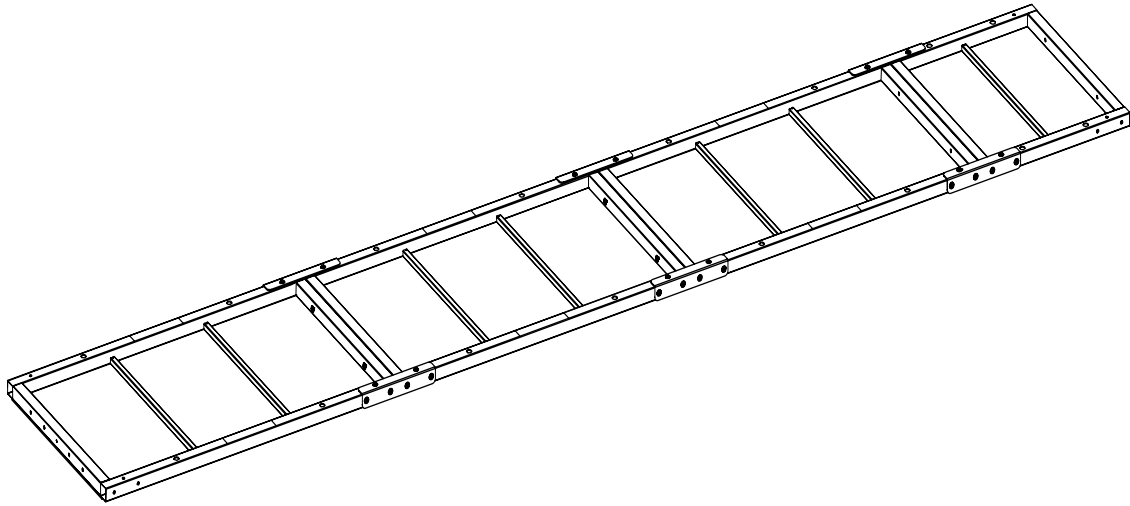
**2-3:** To complete the 12-foot table assembly, assemble the third section by repeating **steps 2-1** and **2-2** using the third table section.

**2-4:** To convert the 12-foot table assembly to a 14-foot assembly, assemble the fourth section by repeating **steps 2-1** and **2-2** using the 2 foot extension table section.

**2-5:** Pull the table sections as close together as possible to remove gap. This will facilitate assembly of the middle legs in **step 3**.

**2-6:** Using the 5mm Allen wrench, tighten the four side screws on each table splice brace, until the brace touches the side of the table frames and then loosen the screws 1/2 turn.

## Step 2: Table Assembly - continued



**2-7:** Tighten fully the two (2) top screws on each table splice brace, using the 5mm Allen wrench. Now fully tighten the 4 screws on the side of each table splice brace with the 5mm Allen wrench. All 36 screws should now be tightened.

## Step 3: Attaching Middle Leg To Table

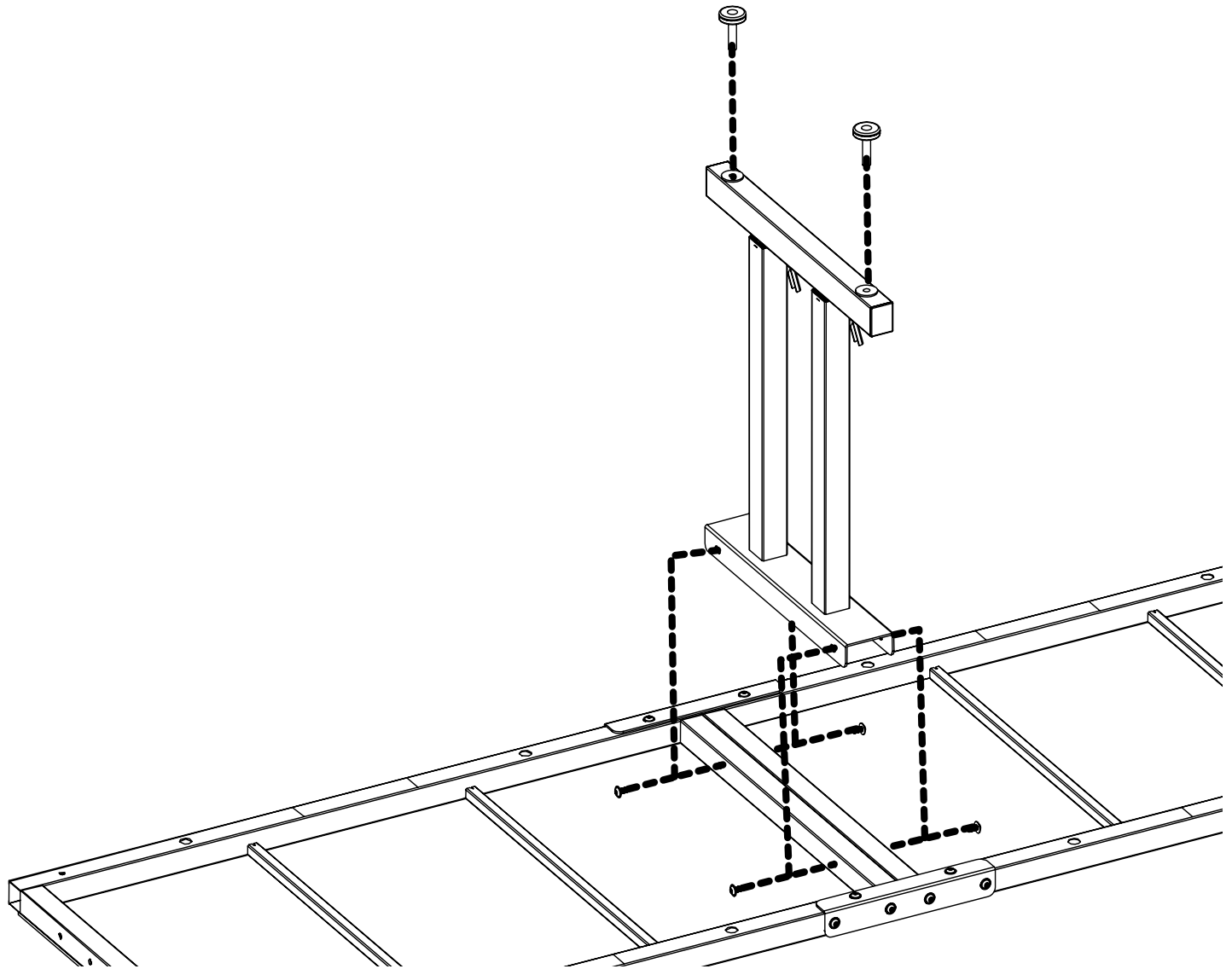


Figure 3.1



**NOTE:** If instructions were carefully followed in **Section 2**, there should be minimal gap between the table sections where the sections meet. The middle legs should slide over the two table section end tubes easily. Check to ensure that all table splice brace screws are tightened before tightening the four middle leg screws.

### Parts Needed

1 - table assembly (14 foot)  
3- middle legs  
6- leveling feet  
12- M8 x 16mm SBHCS

### Tools Required

5mm Allen wrench (provided)

**3-1:** Install two (2) leveling feet into the middle leg, about 1/2 way so they can be adjusted up or down.

**3-2:** Place the middle leg assembly over the joined table sections, making sure the height adjustment levers are facing into the center of the frame as shown in Fig 3-1.



## Step 3: Attaching Middle Leg To Table - continued

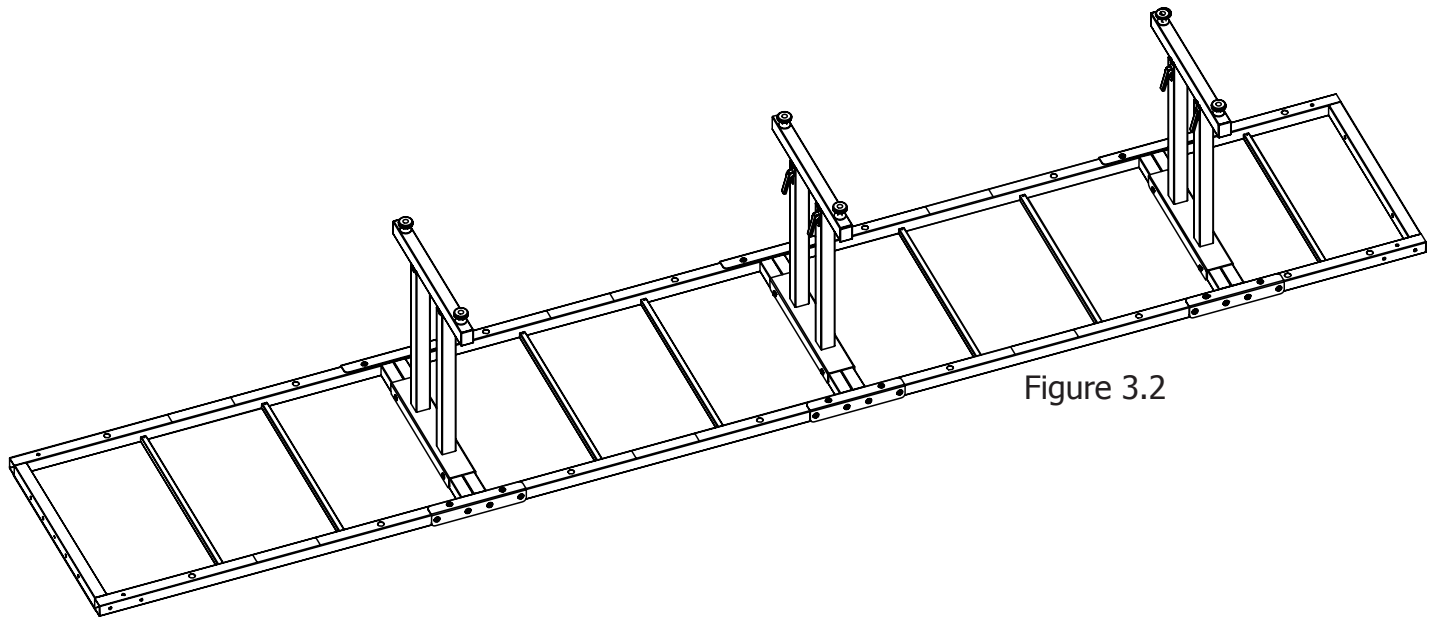


Figure 3.2

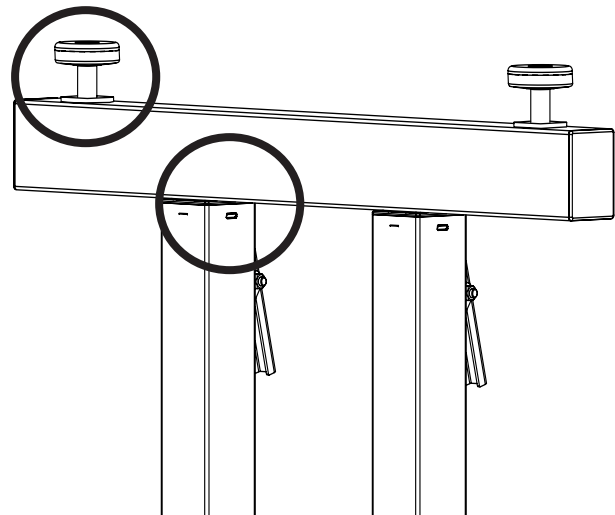


Figure 3.3

**3-3:** Attach the middle leg using four (4) M8 x 16mm SBHCS.

**3-4:** While pushing down on the leg, fully tighten the four (4) screws. All middle leg screws should now be fully tightened.

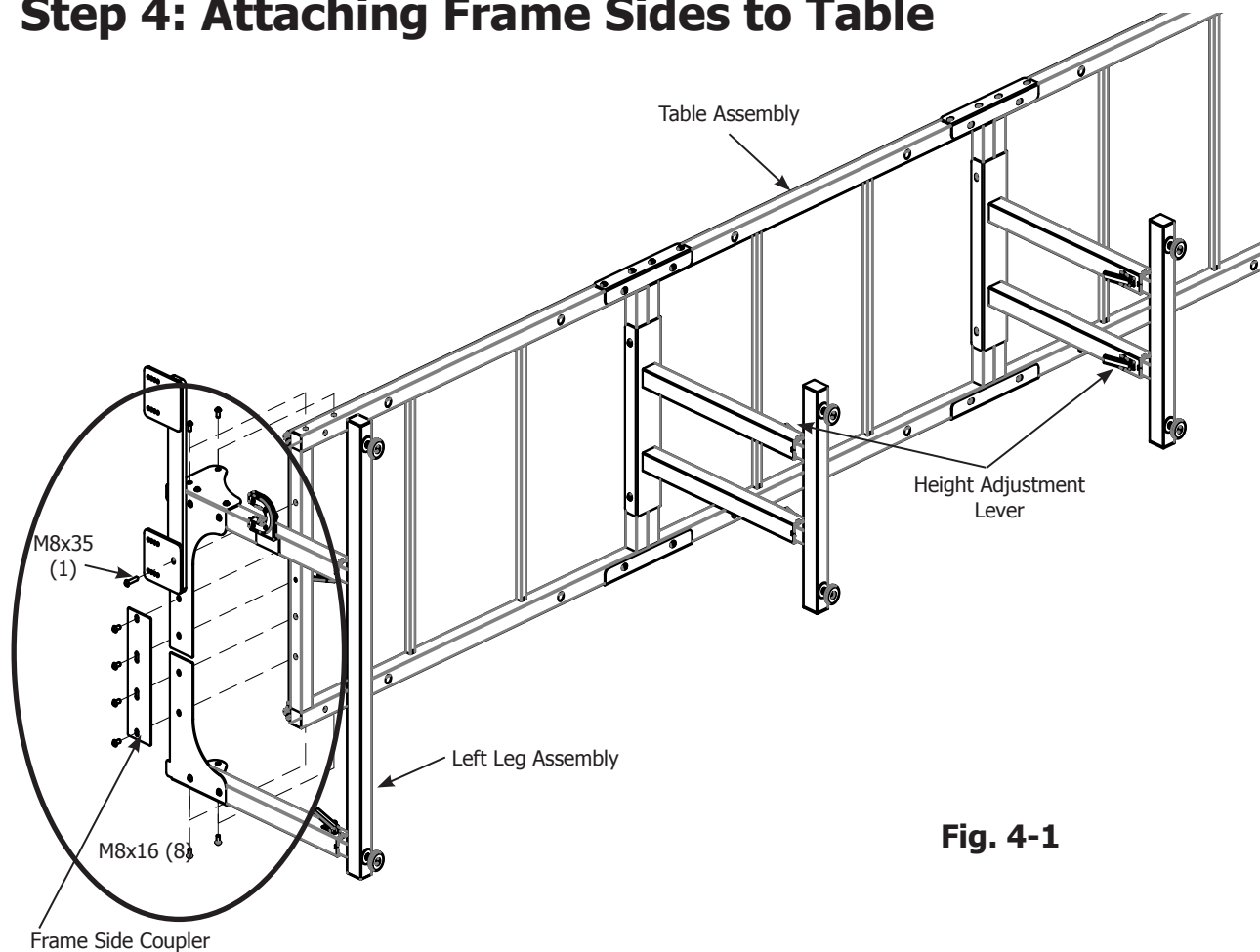
**3-5:** Repeat **steps 3-1** through **3-4** to attach the remaining two middle legs. Be sure middle legs are set at the lowest settings.

This will facilitate height adjustment of the frame in **step 18**.

Leveling feet in half-way and legs at lowest setting



## Step 4: Attaching Frame Sides to Table



**Fig. 4-1**



### **NOTE:**

Finger-tighten screws only until all screws are in place. They will be tightened after the table is turned upright. See **step 4-9.**

### **Needed**

- 1 - table assembly
- 1 - right leg assembly
- 1 - left leg assembly
- 2 - frame side couplers
- 2 - M8 x 35mm SBHCS
- 16 - M8 x 16mm SBHCS

### **Tools Required**

- 5mm Allen wrench (provided)
- Spirit level (not provided)

**4-1:** In preparation for attaching the left and right leg assemblies to the table, turn the table on its side, as shown in Fig. 4-1.

## Step 4: Attaching Frame Sides to Table (continued)



**NOTE:**  
Make sure all height-adjustable legs are at their shortest setting before proceeding with **step 4-6**.

This will facilitate height adjustment of the frame in **step 18**.

**4-2:** Slide the left leg assembly under the table assembly.

**4-3:** Starting at the top left corner, screw two (2) M8 x 16mm SBHCS down through the top corner Left Frame Side Front piece into the table, as shown in Fig 4-2. Finger-tighten only.

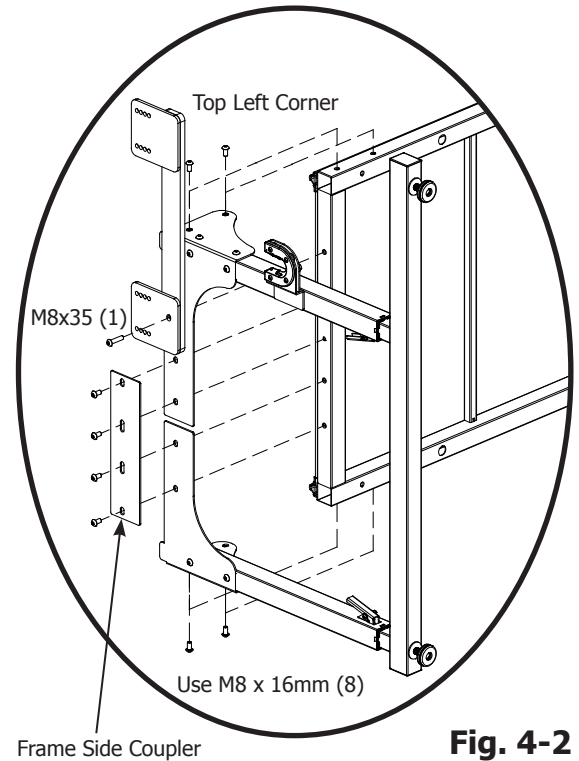
**4-4:** Align the Frame Side Coupler to the holes in the Left Frame Side Front and the Left Frame Side Back and screw four (4) screws through the Coupler, the Frame Side and into the Table section as shown in Fig 4-2.

**4-5:** Repeat **steps 4-2** through **4-4** for the Right Leg Assembly.

**4-6:** With the help of a second person, rotate the frame so it is standing in the upright position.

**4-7:** Attach two (2) M8 x 16mm SBHCS through the back side of the left and right leg assemblies. Finger tighten only.

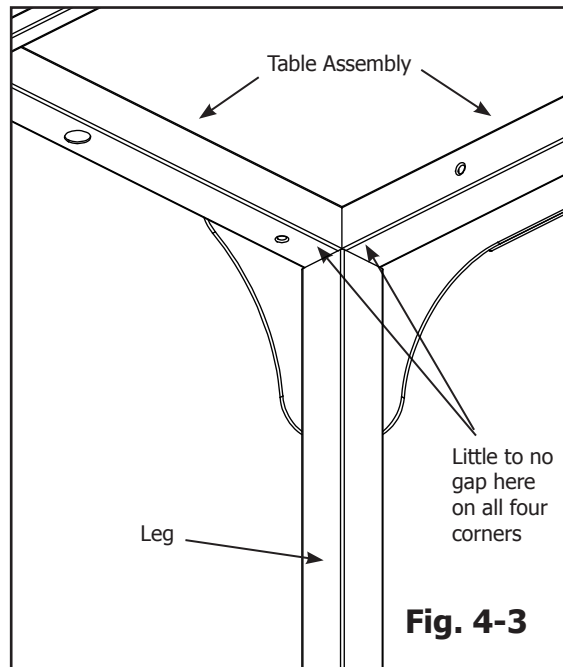
**4-8:** Screw a long M8 x 35mm SBHCS through the thick metal plates and into the remaining hole on each end of the frame. (Fig. 4-2)



**Fig. 4-2**

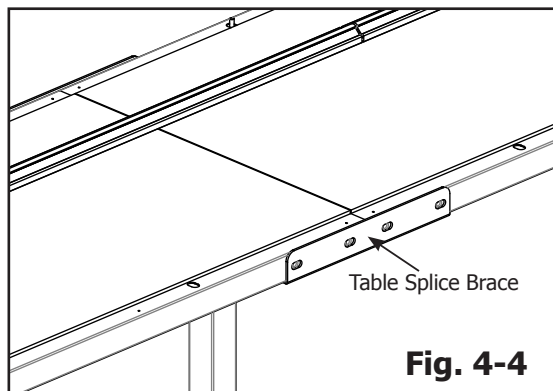
## Step 4: Attaching Frame Sides to Table (continued)

**4-9:** Ensure that the table assembly is down on top of the left and right leg assemblies at all four corners by applying the appropriate pressure, (there should be little to no gap between the bottom of the table assembly and the top of each leg) as shown in Fig 4-3. Using the 5mm Allen wrench, fully tighten the four screws at each corner, to the table assembly and the long screw through the heavy metal piece (nine screws per end). Also tighten the four screws at each frame side to each leg (eight more screws per end). If necessary, have a second person help check and hold this while tightening the screws.



View from Bottom of Table

**4-10:** Make sure the end and middle legs are set to the same height. Using a spirit level, check and adjust the frame top to be level in the place where it will be used. Check both front to back and side to side. Adjust by turning the leveling feet. Double-check the table top frame to ensure it is flat at each splice brace and not sagging or high at the joints (Fig 4-4). If no spirit level is available, check the table with the machine on the carriage and the Precision-Glide tracks after they are installed in Step 5 and adjust appropriately.



**NOTE:** When the table is level, the machine should stay where you put it and not roll forward, back, or side-to-side.

## Step 5: Drilling and Tapping Track Support Coupler Holes

**IMPORTANT:** Fusion, Gallery and some Gallery 2 frames shipped without three holes drilled and tapped into an end of the 12-foot track supports. These tapped holes are for securing the track support couplers. In the rare case that your track supports do not have these three tapped holes, please do the following:

Use the provided: **QF10040 Drill and tap kit-Gallery.**

**NOTE:** If your 12-foot track supports do not have any holes for the track support couplers the holes will need to be drilled and tapped into one end of both track supports.

### Parts Needed

2 - 12-foot track support

### Tools Required

1 - QF-10040 Drill and Tap Kit-Gallery, consisting of:

- QF10028 Drill/Tap bit M5 x 0.8
- QF12026-00, Drill template

1 - Drill motor (not provided)  
1 - Small file or flat screwdriver (not provided)

**5-1:** Place the 12-foot track support upside down on a flat surface, such as the frame top. Brace or shim the track support so it will remain flat while you drill and tap the holes.

**5-2:** Using the drill template, mark the three holes with a pencil or marking pen.

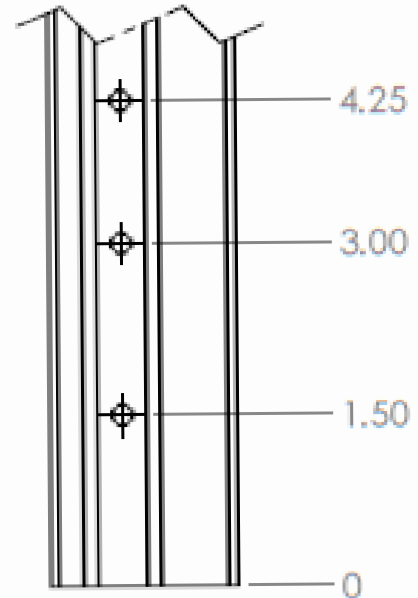


Fig. 5-1

**IMPORTANT:** The drill will bottom out in the hole about the time the tap creates the threads; stop as soon as it bottoms out.

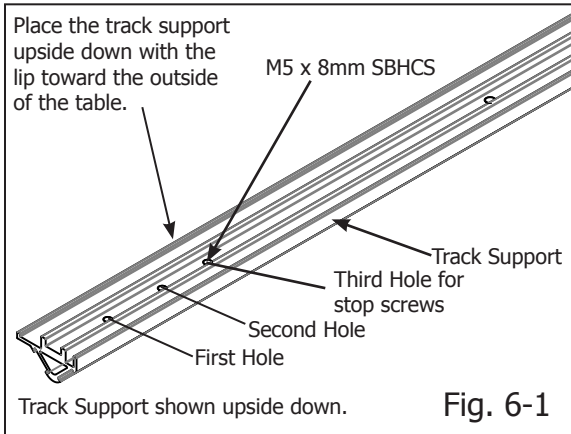
**5-3:** Drill and tap the three marked holes as squarely to the bottom surface of the track support as possible. Be sure the holes are drilled between the two high ribs and located as shown (Fig 5-1).

**5-4:** Clean the burrs from inside the track support with the tip of a flat screw driver or small file. If you cannot get the burrs out, it will not hurt to push them further into the track support with something, e.g. with the small file and a piece of fabric.

**5-5:** Repeat the process for the other 12-foot track support.

**NOTE:** The second end of the track support need not be drilled, unless you are not happy with the fit on the first end.

## Step 6: Precision-Glide Track Support Assembly



**NOTE:** The aluminum track support sections are cut from single sections of extruded aluminum and should align when placed end to end. However, if all directions in Step 6-4 are followed and track supports still do not align properly, try swapping track support sections, so that different ends are joining.

### Parts Needed

- 2 - twelve-foot track supports
- 2 - two-foot track supports
- 2 - track support couplers
- 12 - M5 X 8mm SBHCS
- 4 - 14-foot black plastic track inserts

### Tools Required

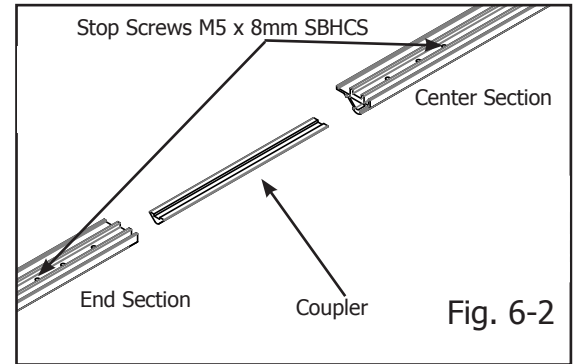
- 3mm Allen wrench (provided with frame)

**6-1:** Check inside the ends of the track supports for burrs or debris and remove all foreign matter from the inside.

**6-2:** Lay four track-support sections on the table upside down, with the wider lip of the sections facing toward the outside of the table (Fig. 6-1).

**6-3:** To prepare for joining the 2-foot section to the 12-foot section end, screw one M5X 8mm SBHCS into the third hole from each splice end of each section to serve as a stop screw (Fig. 6-1, Fig. 6-2). Fully tighten screw. This will help align the coupler properly into the two track support sections when joined.

**6-4:** Insert a coupler into one prepared end of one track support section up to the stop



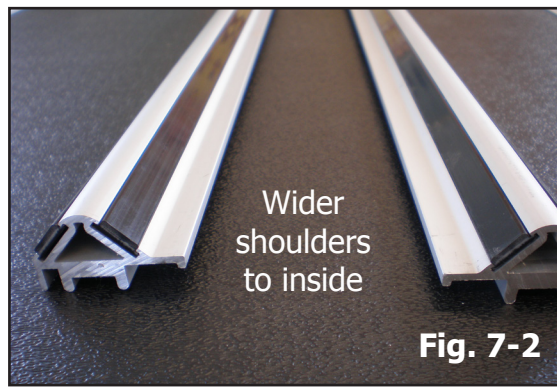
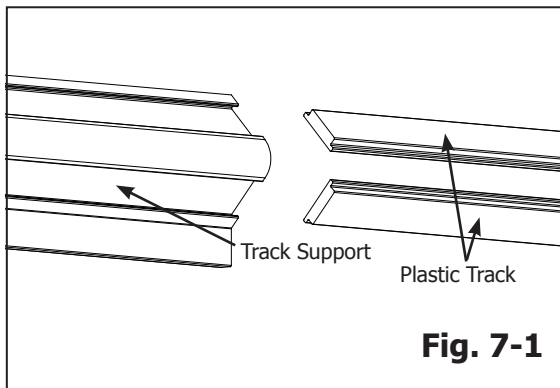
screw. Thread an M5 X 8 mm SBHCS into the first hole and lightly tighten as shown in Fig. 6-2. Insert the other end of the coupler into second prepared track support section. Hold the two adjoining track support sections tightly together and thread an M5 X 8mm SBHCS into the first hole of the second track support and lightly tighten (shown in Fig. 6-2). You may need to gently rock the track support to seat the coupler. Finally, insert a second screw into the track supports, align and tighten.

**6-5:** Repeat **Steps 6-3** and **6-4** to join remaining 12-foot track support section to the 2-foot track. Once alignment is assured, tighten all screws firmly. This will result in two completed 14-foot track support assemblies.

**6-6:** Insert a 14-foot plastic track completely into each side of the aluminum track support. The plastic tracks should slide into the track support easily. If the track binds slightly, try backing it out a little, then pushing it further. If the plastic track binds badly check the track support for debris, burrs or damage. (Fig. 7-1)

**6-7:** Repeat **step 6-1** for the second track assembly.

## Step 7: Mounting Precision-Glide Track Supports



**NOTE:** The extrusions have a wider shoulder on one edge of the track. This shoulder is to be placed toward the inside of the table over the edge of the black plastic tabletop. (Figs. 7-2 and 7-3)

### Parts Needed

- 1 - 14-foot table assembly
- 2 - 14-foot Precision-Glide Track support
- 12 - M6 x 12mm SBHCS track support hold-down screws

### Tools Required

- 4mm Allen wrench (provided with frame)

**7-3: Attach Tracks.** Secure one assembled track to the back of the quilting frame. Line up the track support by holding it tightly against the plastic tabletop with wide shoulders to the inside as shown in Fig. 7-2 and Fig. 7-3. Secure it to the frame, using six (6) M6 x 12mm connector screws. **Do not tighten screws at this time.** They need to be loose to accommodate adjustments in **Step 7-6.**

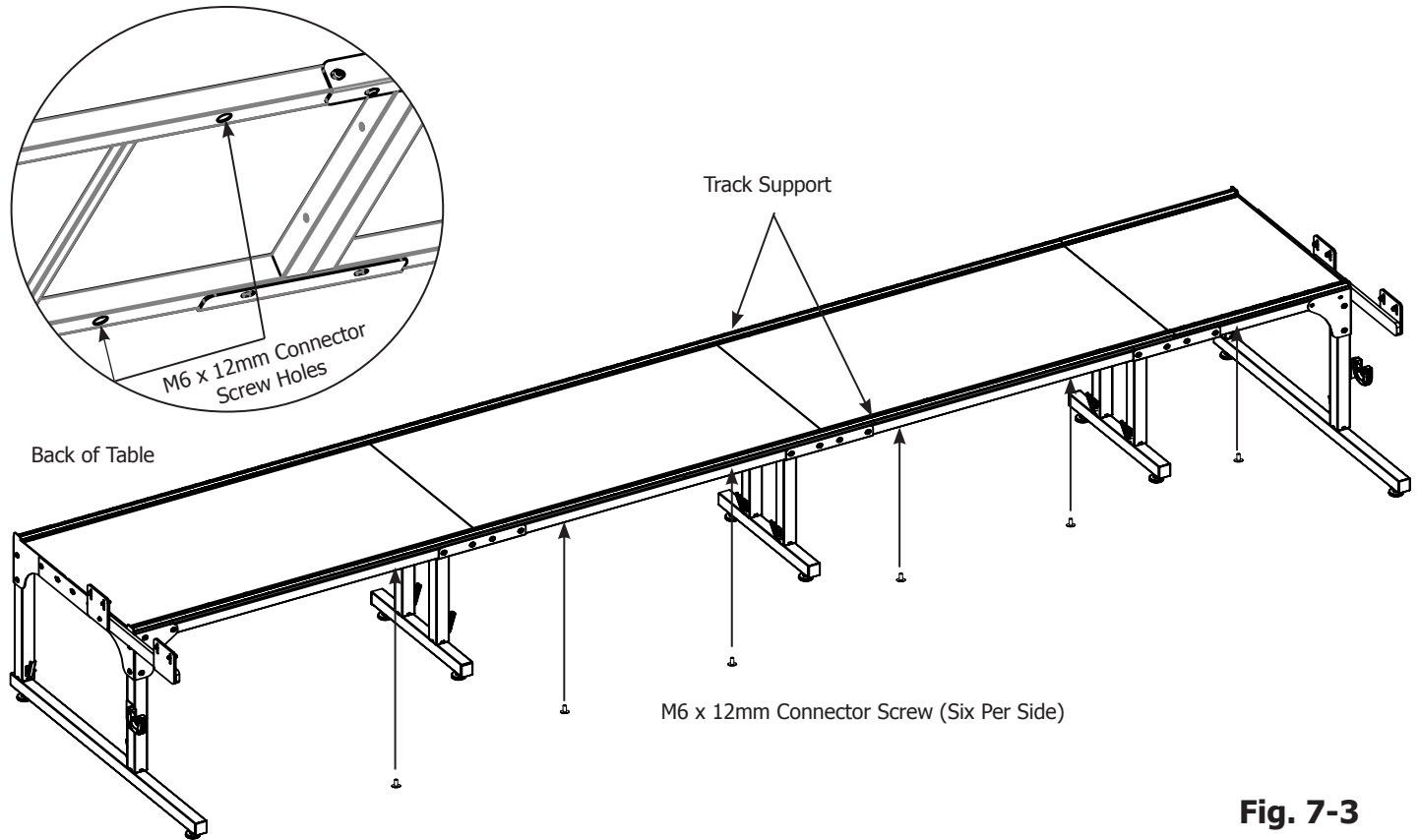
**7-4:** In same manner, attach the remaining track support to the front of the frame using six (6) M6 x 12mm connector screws.

**7-5: Align Tracks.** Place the carriage on the tracks at one end of the table. Roll back and forth along the length of the table, establishing the distance

between the two tracks, taking care to check that the wheels are engaging the track on both the front and the back of the carriage. Move both tracks in tandem to the back of table as far as possible. (Slots in the tables allow this movement.) Double check that the back track is straight along the back edge of the table. Fully tighten the screws in the BACK track only (for now).

**7-6:** Place the machine onto the carriage and again roll it the entire length of the frame, working the tracks into the wheels as you go. Lightly tighten the front track support screws as you move down the table. Check the carriage to verify that it rolls smoothly and that both ends of the carriage are engaging the tracks.

## Step 7: Mounting Precision-Glide Track Supports - cont.



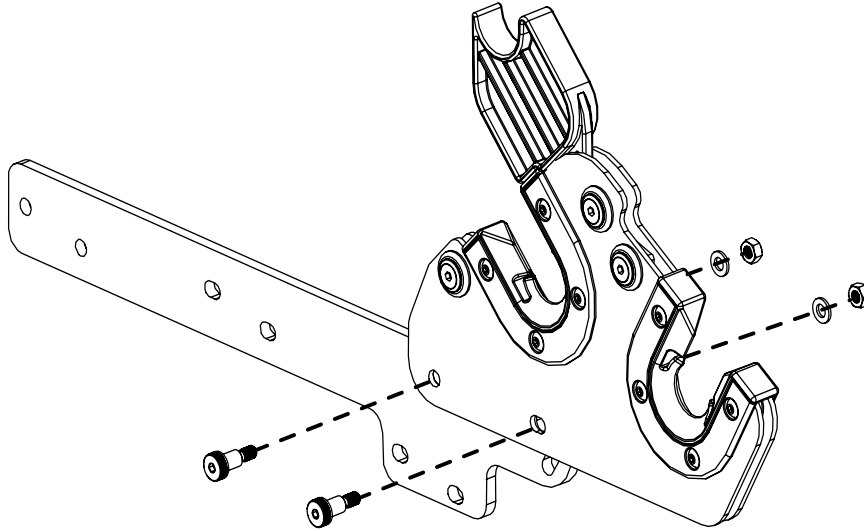
**Fig. 7-3**

If you find a section of track where the carriage rocks back and forth when the machine is moved all the way forward or back, loosen the front track support screws, and adjust the front track until the carriage rolls smoothly and does not rock, then re-tighten the front track screws.

**7-7:** Finally, fully tighten the front track to the table.



## Step 8: Front Side Arm Assembly to Connection Arm



Heads to outside


**Fig. 8-1**


### Parts Needed

- 1 - front unplugged side arm assembly
- 1 - front plugged side arm assembly
- 2 - connection arm
- 4 - M8 x 25mm SBHCS
- 4 - M8 washer
- 4 - M8 nut

### Tools Required

- 5mm Allen wrench (provided)
- 13mm wrench (provided)

 **NOTE:** The above image is shown as it would appear with the plugs on the left and the ratchets and hand wheel on the right side of the frame.

 **NOTE:** If the nuts are tightened too much, it will impede the front side arm assembly from being set into the two different user positions.

**8-1:** Decide whether you want the ratchet stop latches and hand wheel to be on the left or the right side of the frame. See **8-1** and note on next page.

**8-2:** If not already assembled, place the front side arm assembly QM12026-804 over the connection arm QM12026-103. Place the two shoulder bolt screws through them with the head on the outside and the washers and nuts on the inside.

**8-3:** Repeat the process on the other front side arm assembly. The screw heads should be on the outside and the washers and nuts should be on the inside.

**8-4:** Tighten the nuts fully, then loosen slightly so the front section can be pulled forward and back for the two pole position settings, ClearView and Standard.




## Step 9: Rear Side Arm Assembly to Front Side Arm Assembly


### Parts Needed


- 1 - front side arm assembly with connection arm unplugged
- 1 - rear side arm assembly unplugged
- 1 - front side arm assembly with connection arm plugged
- 1 - rear side arm assembly plugged
- 6 - M8 x 25mm SBHCS
- 6 - M8 washers
- 6 - M8 lock nut

### Tools Required

- 5mm Allen wrench and 13/17mm wrench

 **NOTE:** You will find it best to tighten the screws in this step after mounting the pole bracket assemblies onto the frame mounts in **step 9-3**.

 **NOTE: Left-Side Hand Wheel option:** If you prefer the hand wheel and ratchet stops on the left side of the frame, you will need to assemble the side arm assembly unplugged with the nuts on the inside of the pole bracket when it is positioned on the left side of the frame.

 **NOTE:** The screw ends, nuts and washers should be on the inside where they will not be inadvertently bumped or snagged by the user.

**9-1:** Decide whether you want the ratchet stop latches and hand wheel to be on the left or the right side of the frame (see Note). This will determine which direction the screws will be assembled through the side arm assembly unplugged and the side arm assembly plugged. The side arm assembly unplugged is used for the hand wheel side of the frame.

**9-2:** Identify the side arm assembly unplugged front and rear pieces and the side arm assembly plugged front and rear pieces.

**9-3:** Assemble the side arm assembly plugged front, the connector arm, and the side arm assembly rear using three (3) M8 x 25mm SBHCS with three (3) M8 washers and three (3) M8 lock nuts as shown in Fig. 9-1a and Fig. 9-1b.

Fig. 9-1a shows assembly for the HQ Fusion®/HQ Forte™ 24-inch machine.

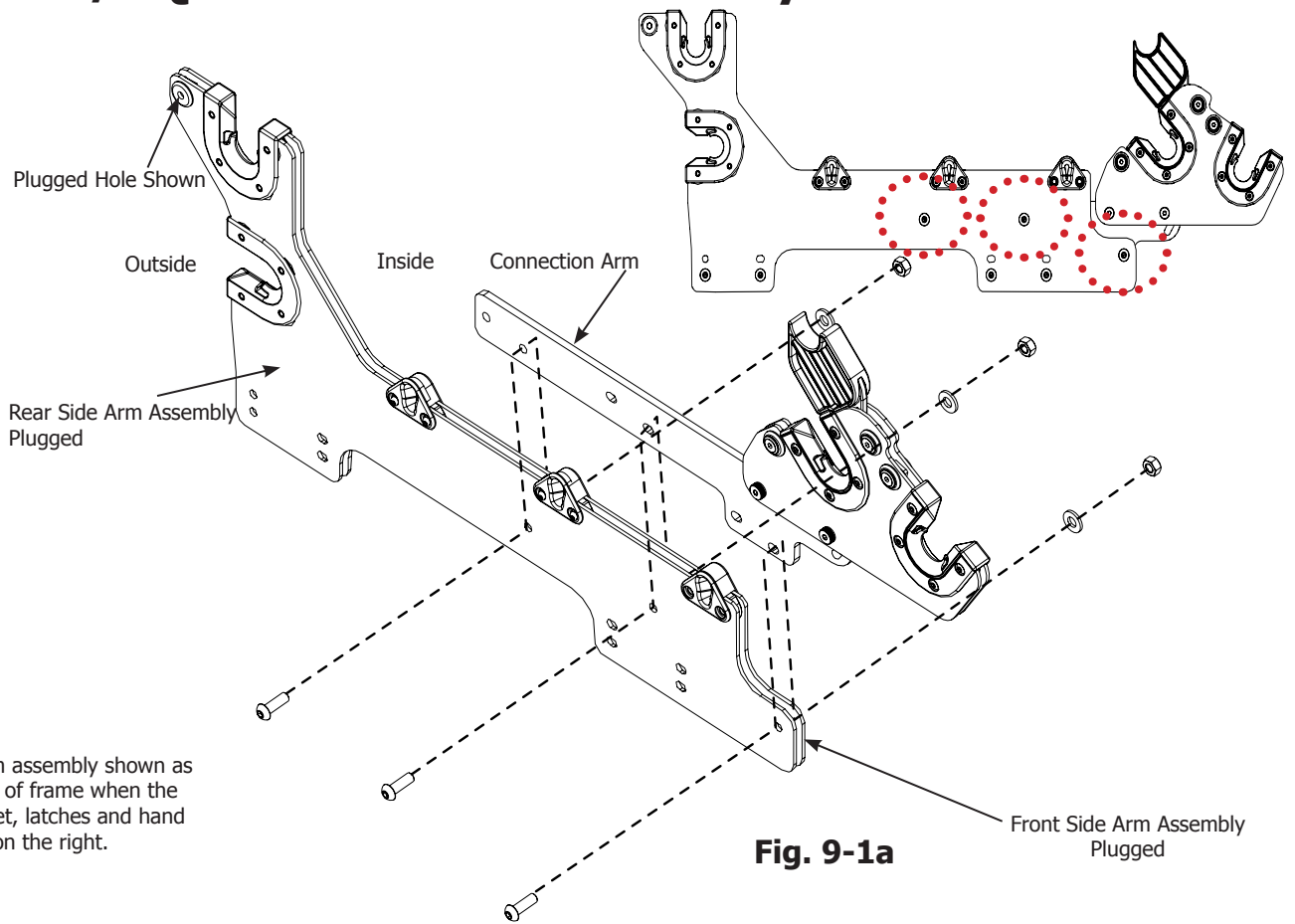
Fig. 9-1b shows assembly for the HQ Infinity® 26-inch machine.

Both figures show the side arm assembly plugged as it would appear on the left side of the frame.

The screw heads should be on the outside and the washers and nuts should be on the inside when in position on the frame. Finger-tighten the screws for now. They will be tightened later in **step 10-2**.

**9-4:** To assemble the side arm assembly unplugged repeat **step 9-3**. The screw heads should be on the outside and the washers and nuts should be on inside when in position on the frame. Finger-tighten the screws for now, they will be tightened later in **step 10-2**.

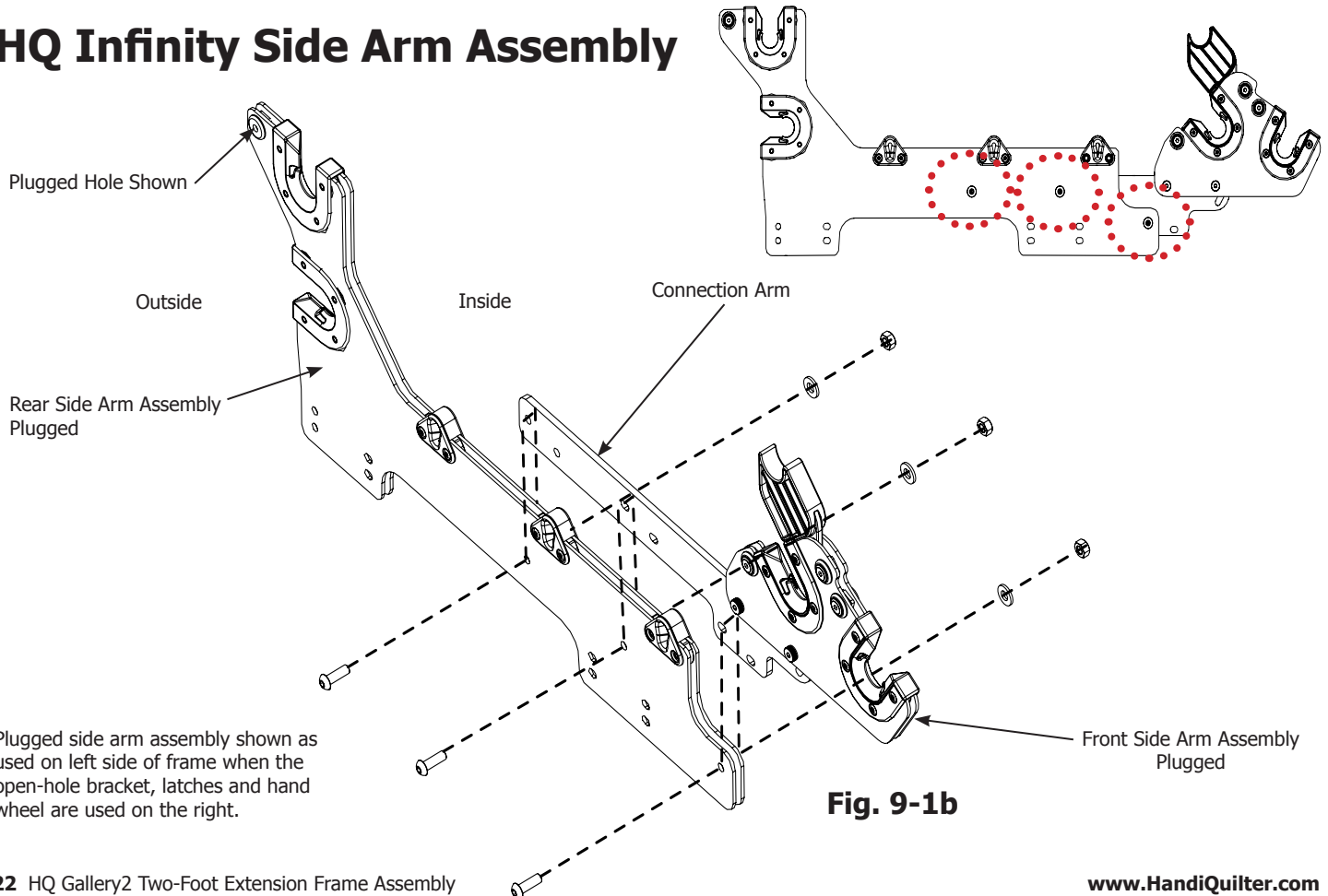
# HQ Fusion/HQ Forte Side Arm Assembly



Plugged side arm assembly shown as used on left side of frame when the open-hole bracket, latches and hand wheel are used on the right.

**Fig. 9-1a**

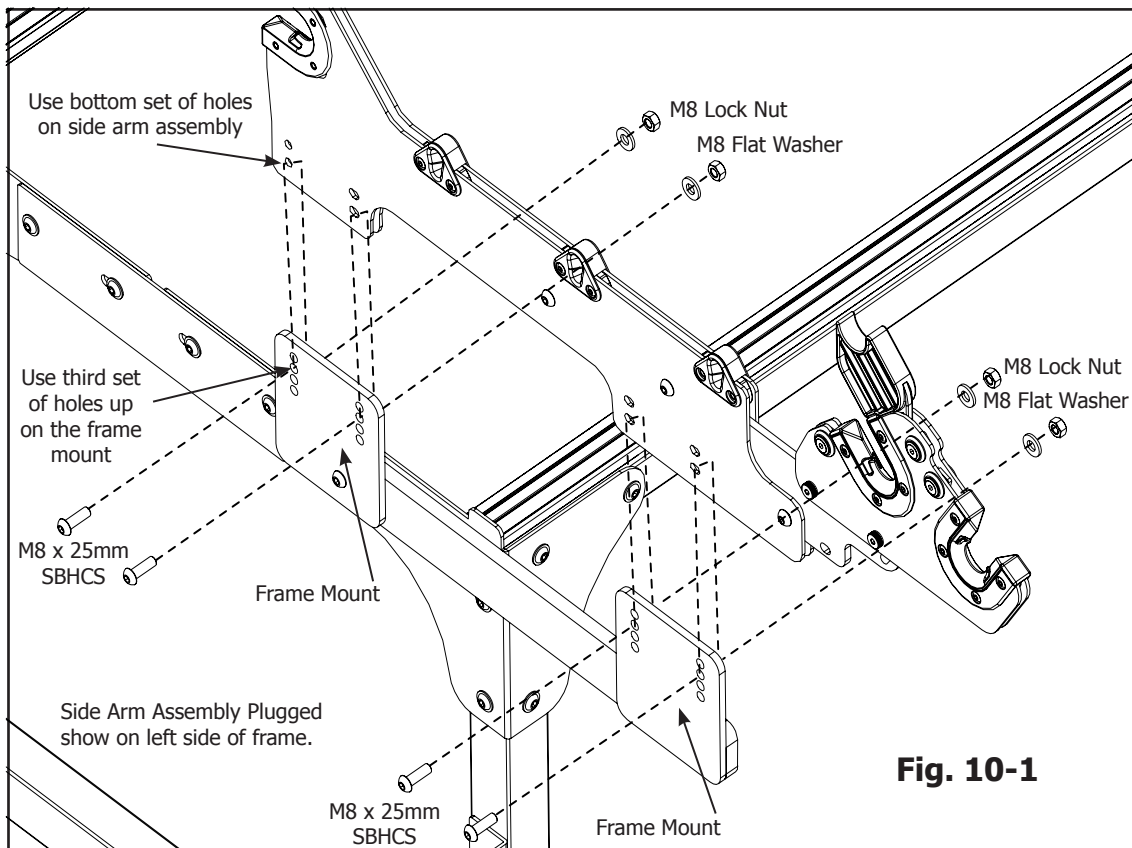
# HQ Infinity Side Arm Assembly



Plugged side arm assembly shown as used on left side of frame when the open-hole bracket, latches and hand wheel are used on the right.

**Fig. 9-1b**

## Step 10: Side Arm Assembly to Frame Assembly



### Parts Needed

- 1 - table
- 1 - side arm assembly plugged
- 1 - side arm assembly unplugged
- 8 - M8 x 25mm SBHCS
- 8 - M8 flat washers
- 8 - M8 lock nut

### Tools Required

- 5mm Allen wrench
- 13/17mm wrench

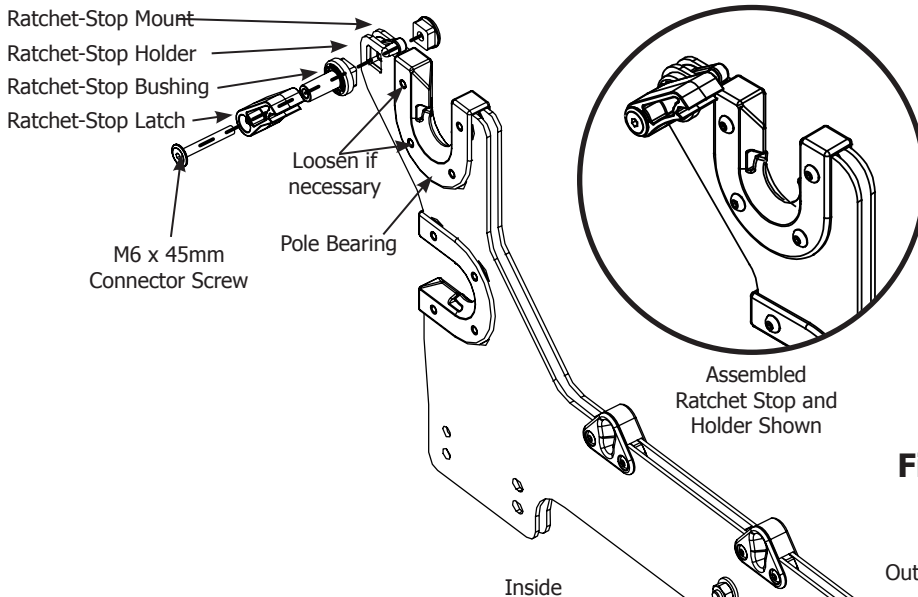
**10-1:** Identify which end of the frame receives the hand wheel. The side arm assembly unplugged will be placed on that end. Slide the side arm assembly unplugged down over the two metal frame mounts on the end of the table. The side arm assembly should straddle the two frame mounts.

Attach the side arm assembly unplugged to the frame using four (4) M8 x 25mm SBHCS. Place the screws through the bottom set of screw holes on the side arm assembly and into the third set of holes from the bottom of the frame mount. The screws should be threaded from the outside of the frame to the inside of the frame. On the end of each screw, slide a flat washer, followed by a lock nut (as shown in Fig. 10-1).

**10-2:** Fully tighten the four (4) screws with the 13/17mm wrench and the 5mm Allen wrench provided. Next, fully tighten the five (5) screws on the side arm assembly unplugged that were finger-tightened in **step 9-3**.

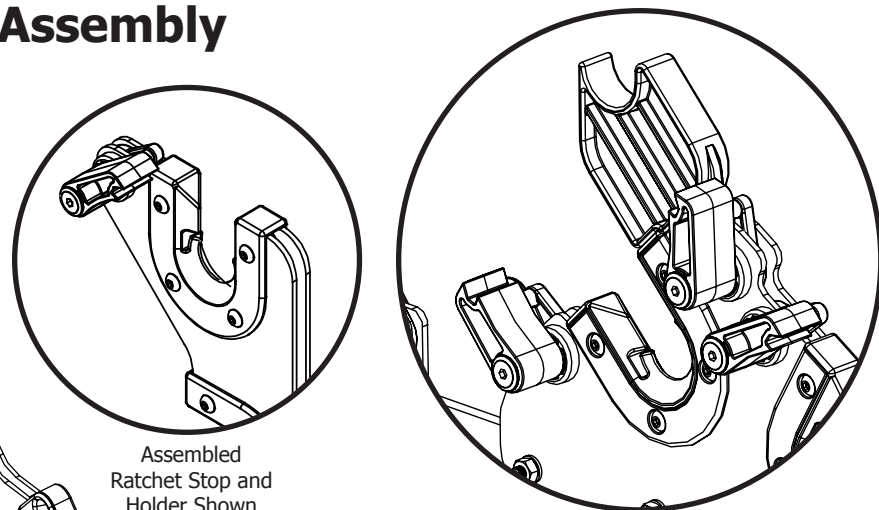
**10-3:** Repeat **step 10-1** and **step 10-2** to attach the side arm assembly plugged to the other side of the table.

# Step 11: Ratchet-Stop Assembly



**Fig. 11-1**

Shown with ratchet stop latches assembled on right pole bracket for handwheel on right side.



**Fig. 11-2**

Assembled Ratchet Stop and Holders Shown

## Parts Needed

- 1 - side arm assembly unplugged
- 4 - M6 x 45mm connector screw
- 4 - ratchet-stop latch
- 4 - ratchet-stop bushing
- 4 - ratchet-stop holder
- 4 - ratchet-stop mount

## Tools Required

- 4mm Allen wrench (provided)



**NOTE:** If setting frame up with hand wheel on the left side of frame, reverse position (switch sides) of side arm assembly. The ratchet stop latch assemblies will also need to be switched back to the inside.

**11-1:** Place one ratchet-stop holder between the two metal pieces at the back of the side arm assembly unplugged, with the stop nub facing inside, as shown in Figs. 11-1 and 11-2. If the ratchet-stop holder will not fit, loosen the two bearing screws nearest the square hole. Slide in the ratchet-stop holder and re-tighten the bearing screws when finished.

**11-2:** Following the parts order in Fig. 11-1, thread one M6 x 45mm connector screw through a ratchet-stop latch, ratchet-stop bushing, side arm assembly (with ratchet-stop holder inserted) and finally into the ratchet-stop mount. Pay close attention to the orientation of the ratchet-stop. Tighten with the 4mm Allen wrench until the ratchet-stop holder nub holds the ratchet-stop. (See Fig. 11-2).

**11-3:** In same manner, attach the remaining ratchet-stop latches and ratchet-stop holders to the front of the side arm assembly unplugged, paying attention to the orientation of the ratchet-stop latches (Figs. 11-1 and 11-2).

## Step 12: Pole Assembly

### Parts Needed

- 12 - large pole sections (4-foot)
- 4 - large pole sections (2-foot)
- 12 - large pole couplers
- 3 - small pole sections - 4 foot
- 1 - small pole section (2-foot)
- 3 - small pole couplers



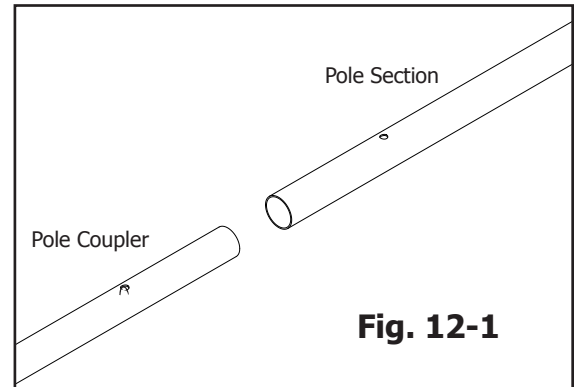
**IMPORTANT:** Be careful when assembling poles not to pinch your hands between pole parts while sliding them together.

**12-1:** Join two (2) 4-foot large pole sections together by inserting a large pole coupler into the end of one pole section (as shown in Fig. 12-1), depressing the spring button as it slides in. Continue sliding until the spring button pops out of the hole in the pole section. Repeat to add the second 4-foot pole section to the first.

**12-2:** In same manner, add a third 4-foot pole section and coupler to section completed in **step 10-1** to complete one 12-foot pole assembly.

**12-3:** In the same manner add one 2-foot pole section and coupler to section completed in step 10-2 to complete one 14-foot pole assembly.

**12-3:** Using the remaining large pole couplers and large pole sections, repeat **steps 12-1** and **12-2** and **12-3** to complete 3 more large pole assemblies for a total of 4 large 14-foot pole assemblies.



**12-4:** Using the three (3) small pole couplers and three (3) 4-foot small and one (1) 2-foot pole sections repeat **steps 12-1** and **12-2** and **12-3** to complete the small pole assembly. The small pole assembly is the batting storage pole.

## Step 13: Adding the Pole Ends

### Parts Needed

- 4 - large pole assembly
- 1 - small pole assembly
- 5 - large pole end
- 2 - small pole end
- 2 - short-bolt Ratchet wheel assembly
- 1 - long-bolt ratchet wheel assembly

### Tools Required

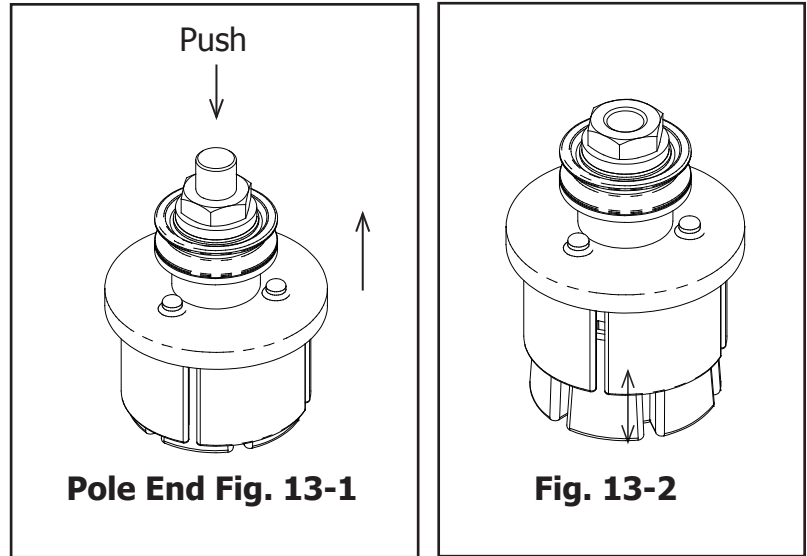
- 13/17mm wrench (provided)
- 10 mm nut (provided)



**NOTE:** A single M10 regular nut is provided as a tool to aid with pole end assembly if needed. This nut can be used to tighten the pole ends into the poles, then be removed and replaced with a lock nut.

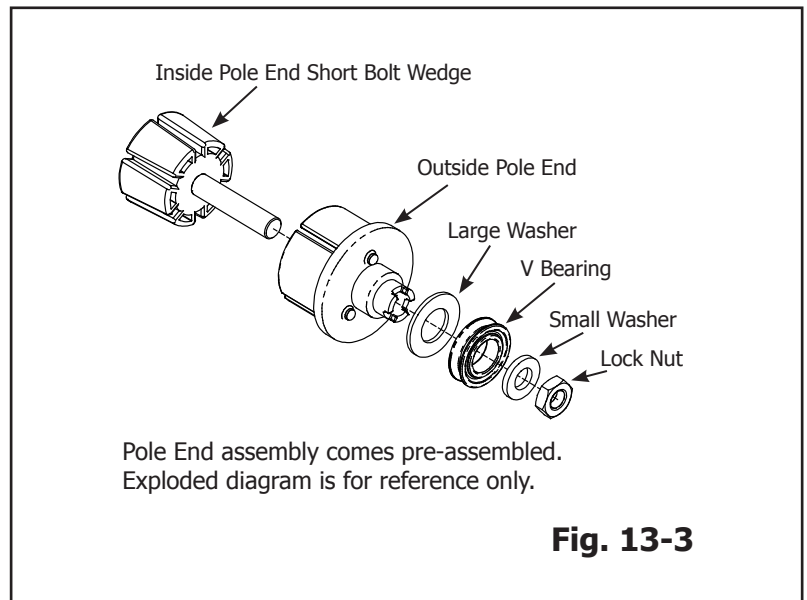
### Prepare Pole End For Insertion

- 13-1:** Check one pole end to ensure that it matches Figs. 13-1 and 13-3.
- 13-2:** Loosen the nut on the pole end until it nearly reaches the end of the bolt.
- 13-3:** Holding onto the outside pole end, push the nut end of the bolt towards the opposite end of the assembly, until the inside pole end short bolt wedge slides out (Fig. 13-2). This makes the outside diameter of the pole end narrower and ready to be inserted into the end of the pole assembly.
- 13-4:** Repeat **steps 13-1** through **13-3** to prepare the 5 large pole ends and the 2 small pole ends for insertion.



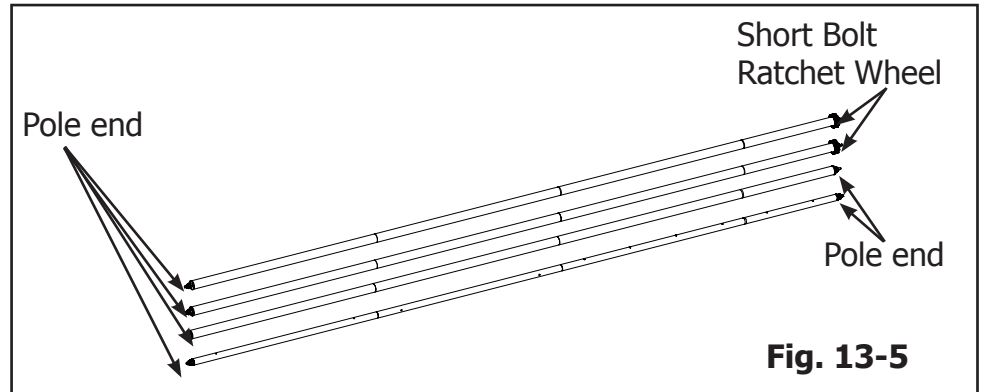
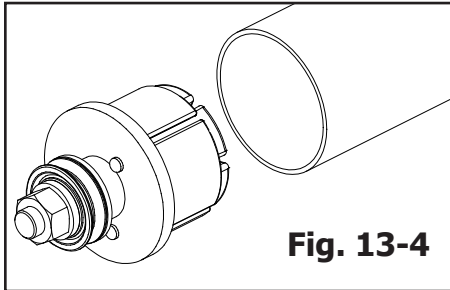
**Pole End Fig. 13-1**

**Fig. 13-2**





## Step 13: Adding the Pole Ends (continued)



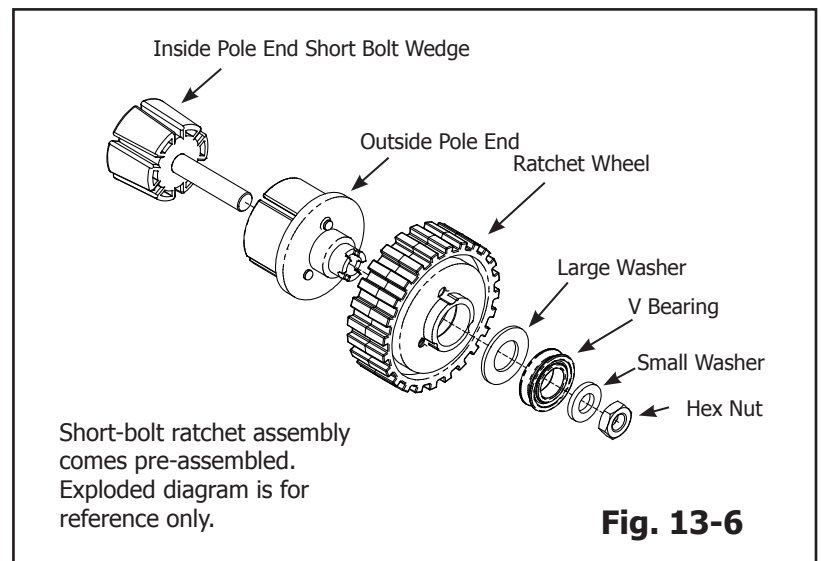
**13-5:** Slide one pole end into the end of one large 12-foot (or 14-foot) pole assembly, as shown in Fig. 11-4. Check that the pole end is inserted completely into the pole assembly.

**13-6:** While holding the pole end assembly tightly into the pole, completely tighten the nut, using the 13/17mm wrench. This will expand the outer pole end, ensuring a tight fit in the pole.

**13-7:** Repeat **steps 13-5** and **13-6** to add one large pole end to the remaining three (3) large 12-foot (or 14-foot) poles.

**13-8:** Repeat **steps 13-5** and **13-6** to add final remaining large pole end to the open end of one large 12-foot (or 14-foot) pole. Attach the two small pole ends to both ends of the small 12-foot (or 14-foot) pole assembly.

Set the large 12-foot (or 14-foot) pole assembly aside for use as the idler pole and the small 12-foot (or 14-foot) pole assembly aside for use as the batting storage pole.



(See bottom pole in Fig. 13-5.)

### Prepare Short-Bolt Ratchet-Wheel for Insertion

**13-9:** Check the short-bolt ratchet-wheel assembly to ensure that it matches Fig. 13-6.

**13-10:** Loosen the nut at the end of the short-bolt ratchet-wheel assembly until it nearly reaches the end of the bolt.

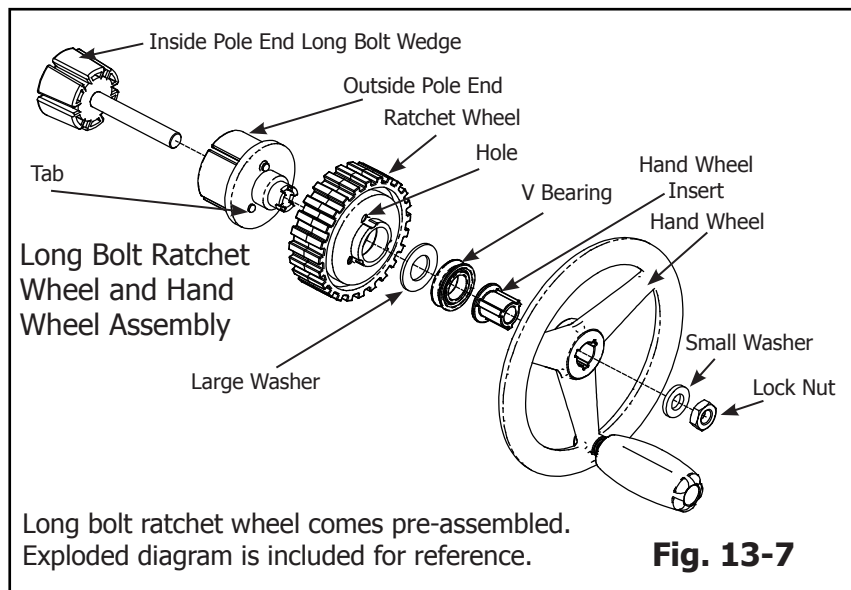
**13-11:** Holding onto the outside pole end, push the nut end of the bolt towards the opposite end of the assembly until the inside pole-end short-bolt wedge slides out (in similar fashion to **step 13-3**). This makes the outside diameter of the outside pole end narrower and ready to be inserted into the end of a pole assembly.

## Step 13: Adding the Pole Ends (continued)

**13-12:** Check the long-bolt ratchet-wheel assembly to ensure that it matches Fig. 13-7.

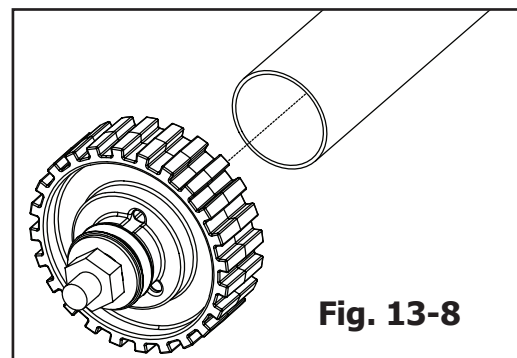
**13-13:** Add the hand wheel assembly to the long-bolt ratchet-wheel assembly as shown in Fig. 13-7, aligning the three tabs on the hand-wheel insert with the three notches on the outside pole end.

**13-14:** Repeat **step 13-11** to prepare the long-bolt ratchet wheel and hand wheel assembly for insertion.



### Ratchet Wheel and Hand Wheel Insertion

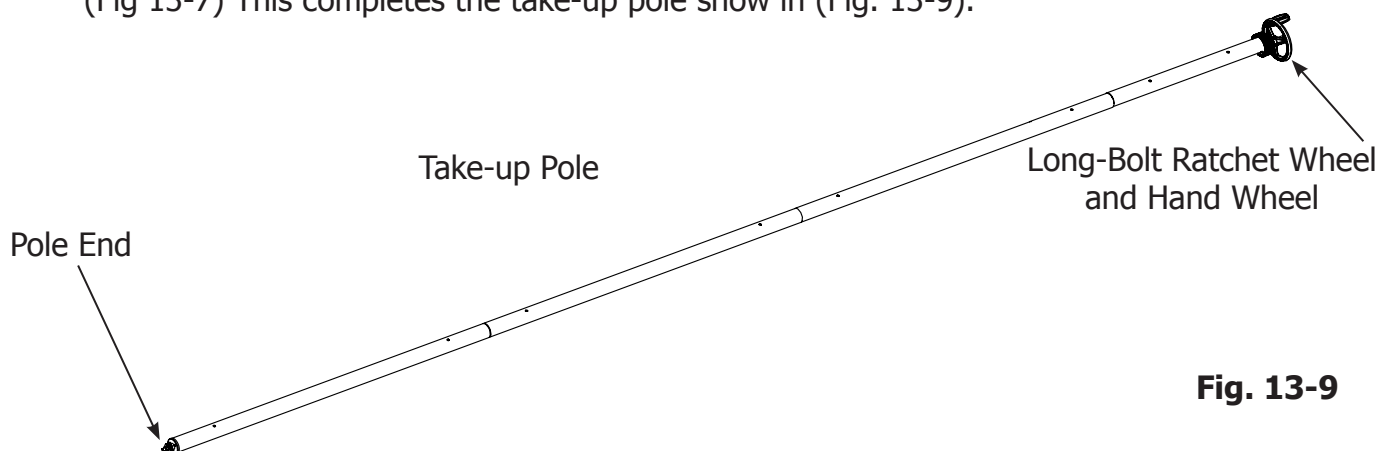
**13-15:** Insert one short-bolt ratchet wheel assembly into the open end of a pole assembly as shown in Fig. 13-8.



**13-16:** Completely tighten the nut, using the 13/17 mm wrench. This will expand the outer pole end, ensuring a tight fit in the pole. This completes the backing pole.

**13-17:** Repeat **steps 13-14** through **13-16** to complete the quilt-top pole. Set both poles aside.

**13-18 :** In same manner, slide the long-bolt ratchet wheel and hand wheel assembly into the open end of the remaining pole assembly and tighten the nut, using the 13/17 mm wrench. Check to be sure the hand wheel engages the ratchet wheel assembly and does not spin loosely. (Fig 13-7) This completes the take-up pole show in (Fig. 13-9).

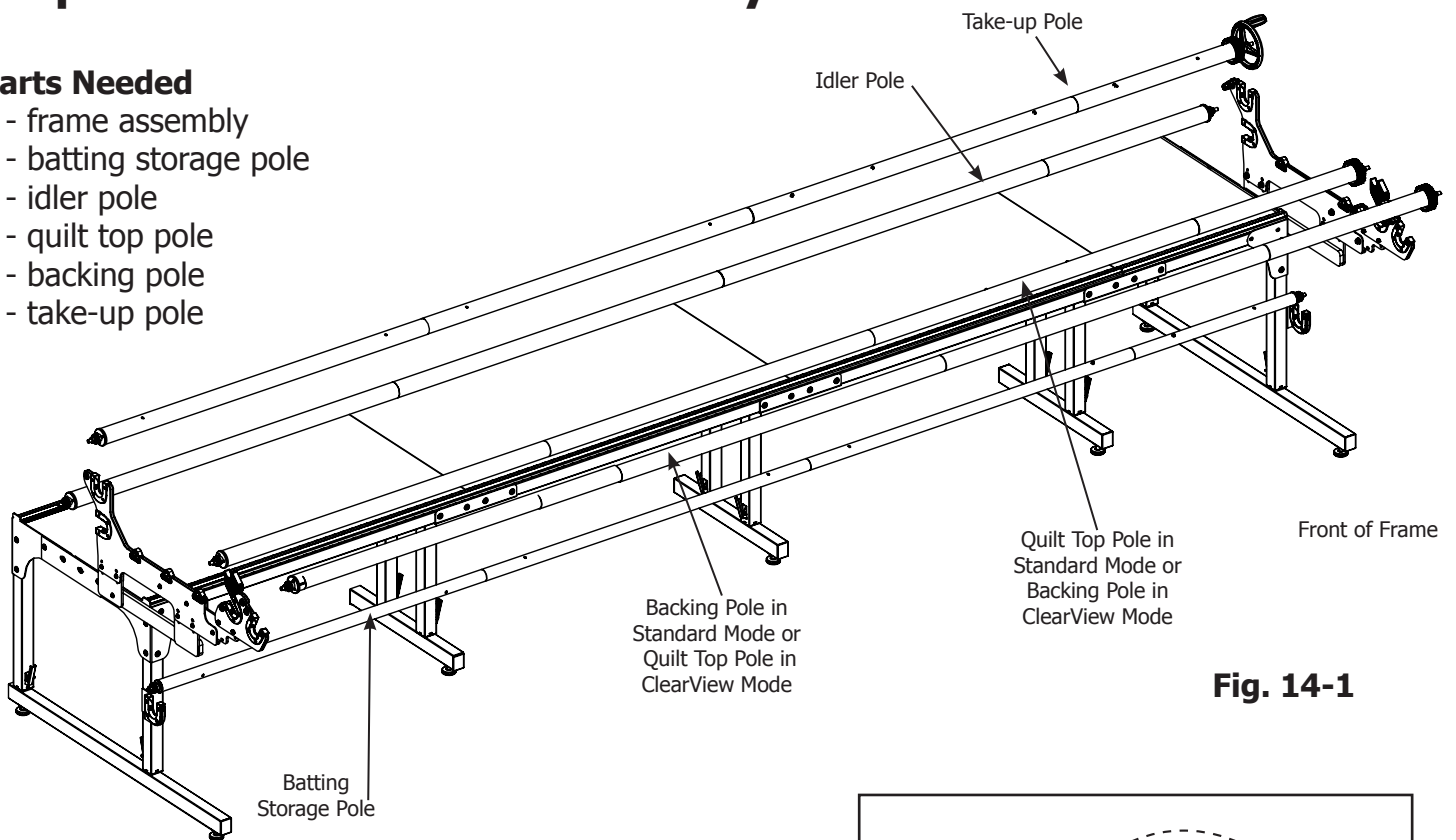




## Step 14: Pole to Frame Assembly

### Parts Needed

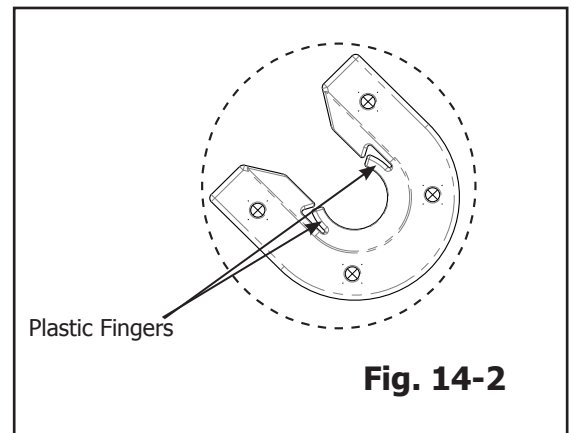
- 1 - frame assembly
- 1 - batting storage pole
- 1 - idler pole
- 1 - quilt top pole
- 1 - backing pole
- 1 - take-up pole



**Fig. 14-1**

**14-1:** Place the poles on the frame as shown in Fig. 14-1.

**NOTE:** The poles will snap past the plastic fingers, which are shown in Fig. 14-2.



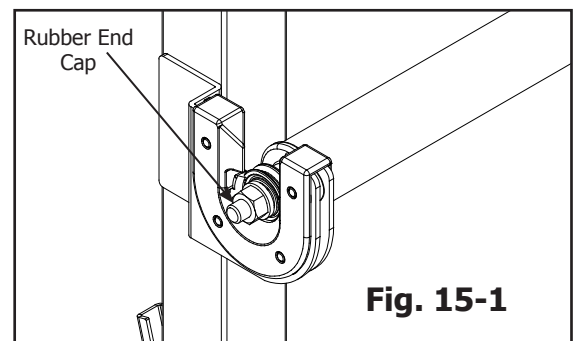
**Fig. 14-2**

## Step 15: Rubber End Cap Assembly

### Parts Needed

- 1 - frame assembly
- 10 - rubber end caps

**15-1:** Slide one (1) rubber end cap onto the end of each bolt sticking out of the pole ends (Fig. 15-1). If the poles are assembled properly, there should be approximately 3/8 – 1/2-inch of bolt metal threads showing beyond the ends of each pole.



**Fig. 15-1**

## Step: 16: Bungee Side Clamp Assembly

### Parts Needed

- 1- frame assembly
- 2- bungee clamps

**16-1:** Thread the bungee cord from the inside of the frame through the bungee slot and pull the cord in a downward movement to lock the bungee clamp in place.

**16-2:** Follow **step 16-1** for the other five bungee clamps (6 total).



**NOTE:** Your side clamps may appear different from the ones pictured. Refer to any instructions packaged with the clamps for additional information.

## Step 17: Optional Velcro® Assembly

### Parts Needed

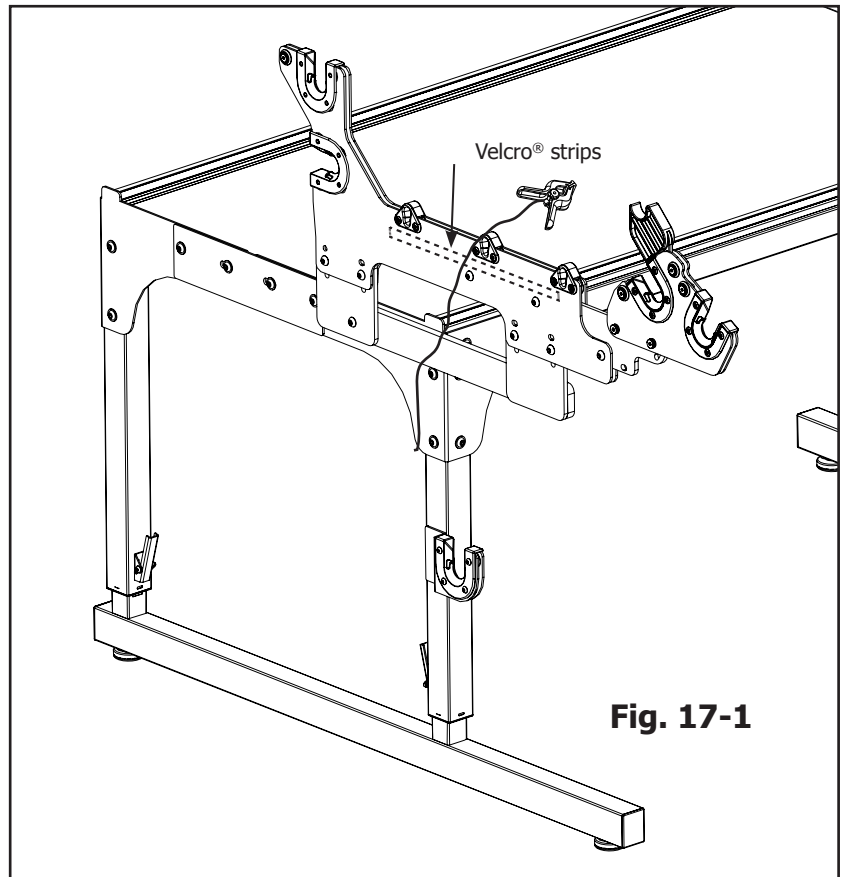
- 1- frame assembly
- 2- Velcro® strips

**17-1:** Start from one side of the Velcro® strip and remove about 1/2 of the protective paper and then place the sticky side even with the bottom edge of the bungee holders. (Fig 17-1) Press the Velcro® firmly to the frame. Remove the remainder of the protective paper and press the Velcro® firmly in place. (Fig. 17-1)

**17-2:** Follow **step 17-1** for the other Velcro® strip on the opposite side of the frame.



**NOTE:** Handi Quilter has provided the Velcro® strips for use with clamps that have Velcro® style straps. Only Bungee-style clamps have been provided with the HQ Gallery2 Frame, but these strips have been provided for use with other types of clamps.



## Step 18: Velcro® on Pole Assembly and Attach Leaders

### Parts Needed

- 1 - quilt top pole
- 1 - backing pole
- 1 - take-up pole
- 3 - 11.5-ft Velcro® strips

### Tools Required

- measuring tape or ruler (not provided)
- scissors (not provided)

**18-1:** Prepare to attach the Velcro® to the quilt top pole, backing pole, and take-up pole (see Fig.14-1), by measuring in 3-inch from each end of the pole. Peel the backing off the Velcro® as you go and apply to all three poles, starting at the 3-inch mark and ending at the opposite 3-inch mark.

Take care to stick the Velcro® on straight. This step will determine how well your quilts load in the future. Use the Spring Coupler Snap Buttons as a guide when aligning the Velcro® for best results.



**NOTE:** Attach the Velcro® next to the snap button, not between.

Once the Velcro® has been adhered from one end of the poles to the other, it can be clipped where the poles meet at each pole coupler, if poles need to be disassembled in the future.

## Step 19: Attach Leaders

### Parts Needed

- 1 - frame assembly with Velcro® applied to poles
- 1 - 27.75-inch x 11-foot take-up leader
- 2 - 13-inch x 11-foot leaders

**19-1:** Mark the center of the leaders on both the Velcro® edge and the hemmed edge. Mark the center of the quilt top pole, backing pole and take-up pole with a permanent marker.


**19-2:** Beginning in the center, align the marks and attach the 13-inch leaders to the Velcro® on the backing pole and the quilt top pole so the marked sides of the leaders hang to the center between the poles.

**19-3:** Beginning in the center, align the marks and attach the 27.75-inch leader so it falls to the back of the take-up pole.



**NOTE:** For 10-foot Frame, mark all leaders 18 inches from one end and serge to create 9.5-foot leaders. 13-foot leaders for a 14-foot frame are an optional purchase.

## Step 20: Adjusting HQ Gallery2 Frame Height

 **NOTE:** It is easier to raise the frame height than to lower the frame, because the legs will ratchet up when lifted. To lower the frame, a second person will be needed to release the two latches on each leg while the other lifts the frame. This is why the frame was assembled at the lowest height setting.

**20-1:** The frame can be all the way down with no slots showing on the legs or raised in increments up to where nine sets of slots are showing. Most quilters will have three to six sets of slots showing when the height is set comfortably for them.

**20-2:** Adjust the frame height so that when standing at the front of the machine with your hands on the front handle bars, your elbows are bent at a 90 degree angle. It is recommended that you raise the frame one or two slots at a time until you reach your desired height setting as described in **steps 20-3** and **20-4**.

**20-3:** Place a foot on the side leg bottom tube and lift the end of the frame up until the latches click once or twice, making sure both latches are fully engaged and in the same height slot. The end of the latch levers will be about 1.5-inch away from the leg when engaged properly and much closer if not fully engaged.

**20-4:** Repeat **step 20-3** on the other end of the frame and then lower the two middle legs to the same slot, ensuring that the latches are fully engaged into the same slot on both side legs and the two middle legs. You may need a second person to lift the middle of the table to engage the latches fully on the middle legs.

**20-5:** Finally double-check to make sure the frame is level. The slots on the legs are for rough height adjustment and the leveler feet on each leg are for fine height adjustment and leveling of the frame. See **step 4-10** for leveling review.

**20-6:** Your HQ Gallery2 Frame is now complete.

### Optional Accessory



Heavy-duty casters are available for the HQ Gallery2 Frame.

Order from your HQ retailer or directly at [www.HandiQuilter.com](http://www.HandiQuilter.com) or 877-697-8458.

## Step 21: Using the Pole Cradles

### To use the HQ Pole Cradles when loading the quilt and quilt batting

1. After loading the quilt backing and the quilt top, release the ratchets on the quilt-top pole.
2. Pull one side of the quilt-top pole out of the pole bearing and lay it in the corresponding Pole Cradle. Repeat on the other side of the quilt frame.
3. Lay the quilt batting on the quilt backing, align it with the top of the backing, and smooth it in place.
4. Unroll enough of the quilt top to reach the top of the quilt backing and batting.
5. Return both sides of the quilt-top pole to the pole bearings and put the ratchet-stops back in place.
6. Proceed with attaching the clamps, stitching the plumb line, aligning the quilt top with the plumb line, and basting the top edge and sides of the quilt top.

### To use the HQ Pole Cradles when advancing the quilt

1. When you're ready to advance your quilt, release the ratchet-stops on the top and backing poles. Advance the quilt by turning the take up pole.
2. Pull one side of the quilt-top pole out of the pole bearing and lay it in the corresponding Pole Cradle. Repeat on the other side of the quilt frame.
3. Reach under the quilt top to smooth and straighten the batting.
4. Return both sides of the quilt-top pole to the pole bearings and put the ratchet-stops back in place.
5. Proceed with attaching the clamps, smoothing and tensioning the quilt top, and basting down the sides of the quilt.



## Section 2: Adding the Two-Foot Extension to an Existing Straight Leg Fusion, Gallery or Gallery2, 12-Foot Frame.

### Step S2, 1: Preparing an Existing Frame for Extension

#### Parts Needed

1 - Existing assembled frame

#### Tools Required

4mm hex tool (provided with frame)

5mm hex tool (provided with frame)


**S2, 1-1:** Remove the quilt and leaders from the frame.


**S2, 1-2:** Remove the machine power cord and encoder/stitch regulation cables.

**S2, 1-3:** Remove any Pro-Stitcher cables from the machine that would prevent the machine from being removed from the frame.

**S2, 1-4:** Remove each of the 5 pole assemblies.

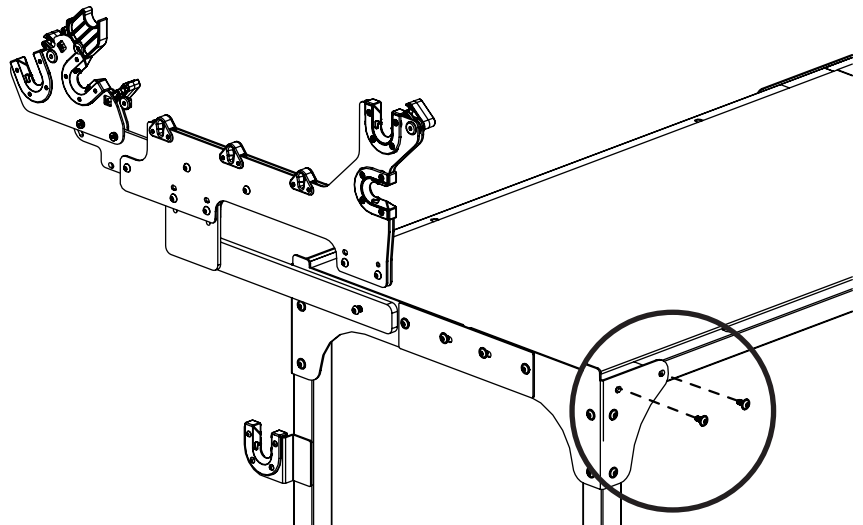
**S2, 1-5:** Remove the machine and carriage and place them in a safe place.

 **NOTE:** Be careful when moving the machine not to lift the machine by the machine encoder assembly bracket or to place the encoder on any object that might bend it.

 **IMPORTANT:** Be careful when handling the track supports to support both ends to not bend them. We recommend you have a second person help you move them.

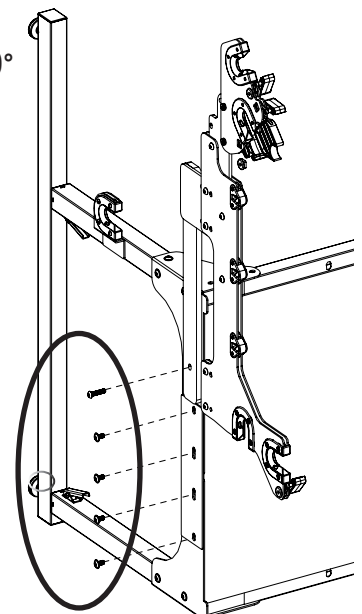
**S2, 1-6:** With a helper, remove the track support assemblies from the table top by removing the 6 screws holding them, with a 4mm hex tool. See **Step 7** page 18 for more info and images.

**S2, 1-7:** Remove the two rear top screws from the rear corner bracket.



**S2, 1-8:** With the help of another person, turn the frame 90° down onto its back-side, with the pole brackets up towards the ceiling.

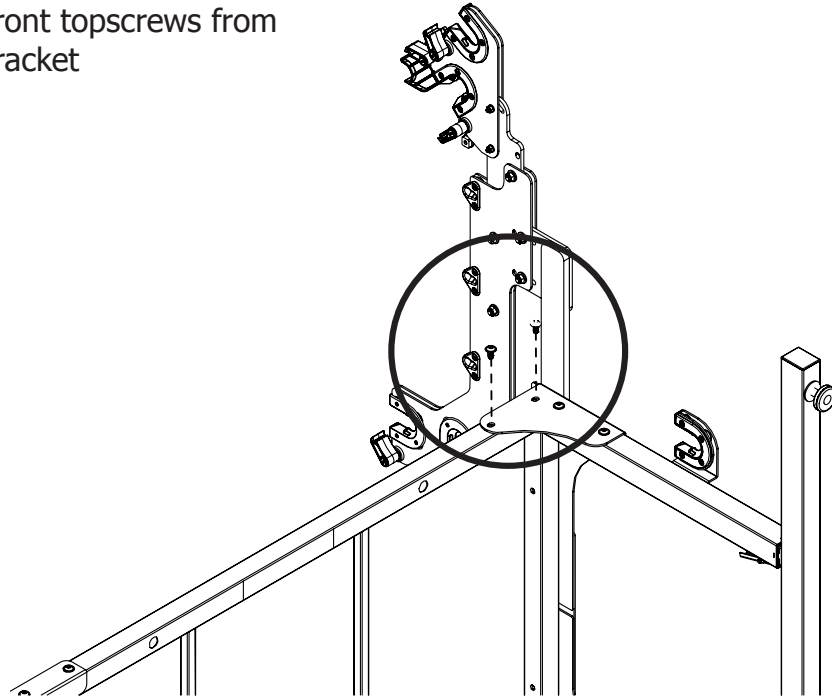
**S2, 1-9:** Remove the five end screws from the frame side coupler. Place the coupler and screws aside to be used later.



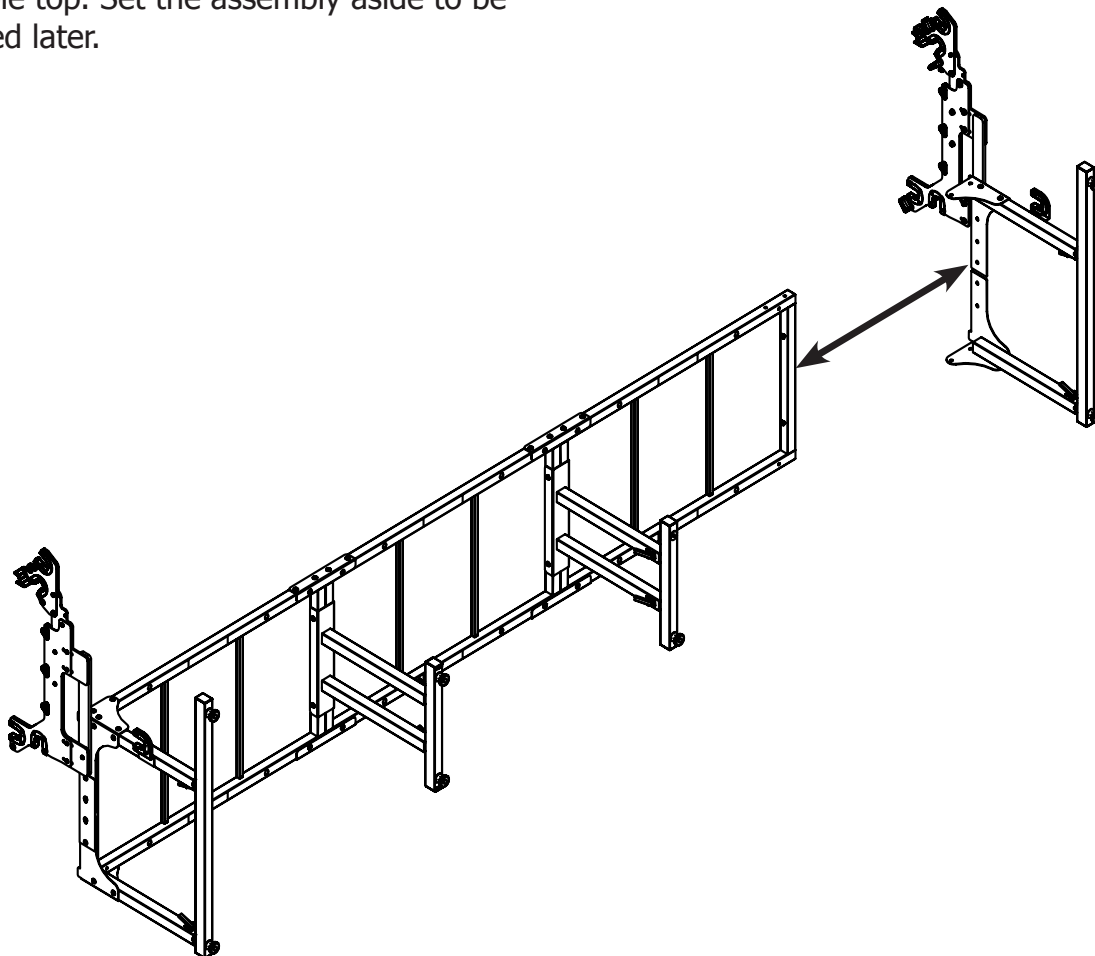


## Step S2-1: Preparing an Existing Frame for Extension - Cont.

**S2, 1-10:** Remove the two front topscrews from the front corner bracket



**S2, 1-11:** Remove the side leg assembly from the table top. Set the assembly aside to be used later.



## Step S2-2: Adding the Two-Foot Table Extension

### Parts Needed

- 2 - table splice brace
- 1 - two-foot table section
- 12 - M8 x 16SBHCS

### Tools Required:

- 5mm hex tool (provided with frame)

**S2, 2-1:** Slide the 2-foot section into place to complete the 14-foot frame.


**S2, 2-2:** Place the two splice braces onto the frame joint for the two foot extension and start the six screws into the top table splice brace and the two screws into the accessible holes on the bottom table splice brace.

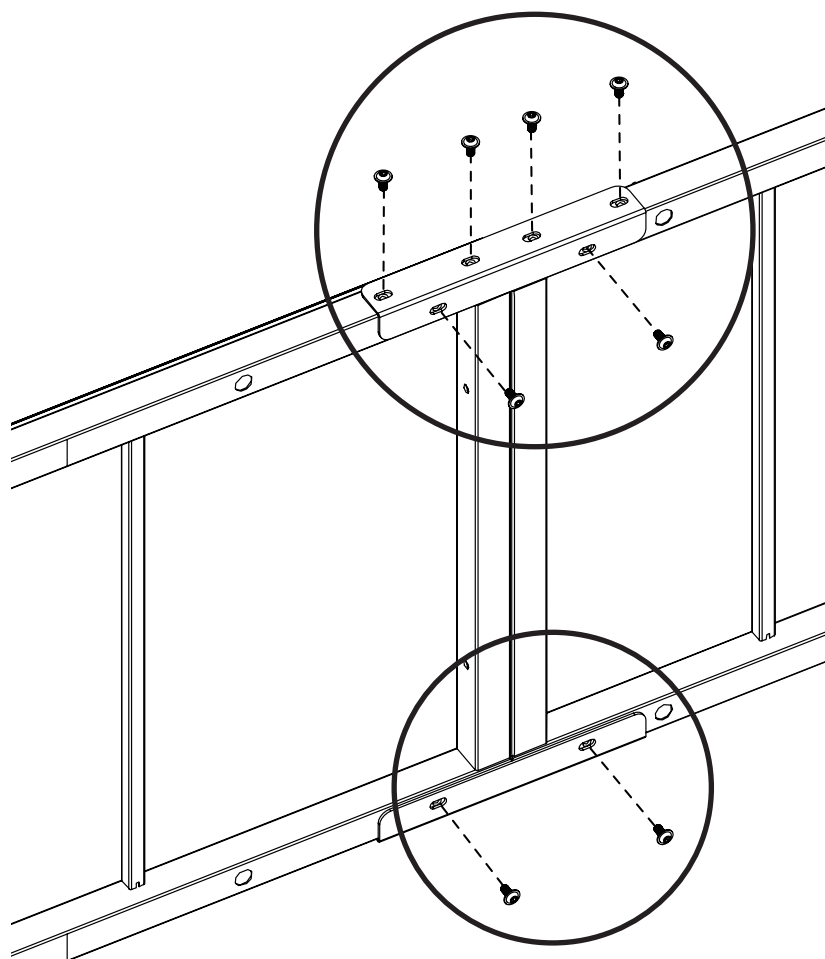
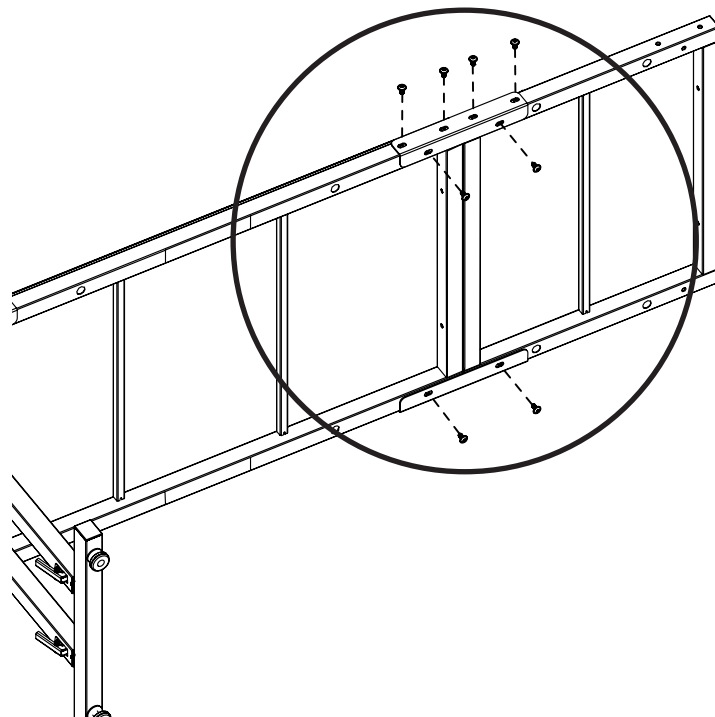
**S2, 2-3:** Pull the table sections as close together as possible to remove gap. This will facilitate assembly of the middle leg.

**S2, 2-4:** Using a 5mm Allen wrench, tighten the four side screws on the top table splice brace, until the brace touches the side of the table frames and then loosen the screws 1/2 turn.

**S2, 2-5:** Tighten fully the two (2) screws on each table splice brace, using the 5mm Allen wrench.

**S2, 2-6:** Now fully tighten the 4 screws on the top table splice brace with the 5mm Allen wrench.

 **NOTE:** The other four screws on the bottom table splice brace will be installed and fully tightened after the frame is carefully set upright onto its leveling feet.





## Step S2-3: Adding the Middle Leg Assembly

### Parts Needed

- 1 - middle leg assembly
- 4 - M8x16 SBHCS
- 2 - levelling foot

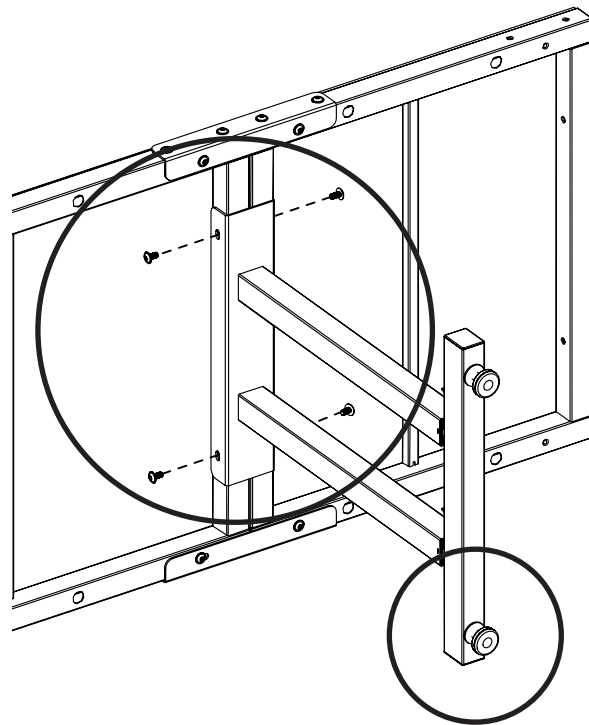
### Tools Required

- 5mm hex tool (provided with frame)

**S2, 3-1:** Slide the middle leg assembly over the two table tubes and align and insert the four screws.

**S2, 3-2:** Push the leg up tight against the table tubes and tighten the four screws firmly with a 5mm hex tool.

**S2, 3-3:** Screw the two levelling feet about half way into the bottom of the leg assembly.



## Step S2-4: Adding the Frame Side Assembly


### Parts Needed

- 1 - frame side assembly
- 2 - M8x16 SBHCS


### Tools Required

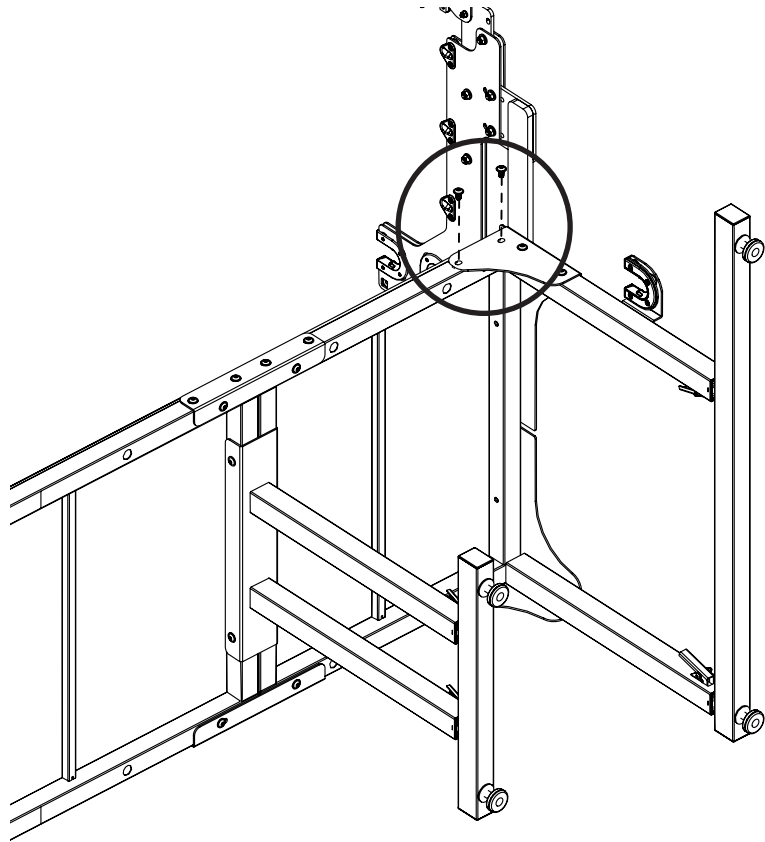
5mm hex tool(provided with frame)

**S2, 4-1:** Slide the frame side assembly onto two-foot section, align and insert the two front corner screws into the table top.

 **NOTE:** Push the frame side assembly up tight against the table top to remove any gap before tightening the two screws.

**S2, 4-2:** Using a 5mm Allen wrench, tighten the two front corner screws firmly.

 **NOTE:** The bottom two corner screws will be installed and tightened later after the frame is placed back upright onto its leveling feet.



## Step S2-5: Adding the Frame Side Coupler and Corner Screws

### Parts Needed

- 1 - frame side coupler
- 4 - M8x16 SBHCS
- 1 - M8 x35 SBHCS

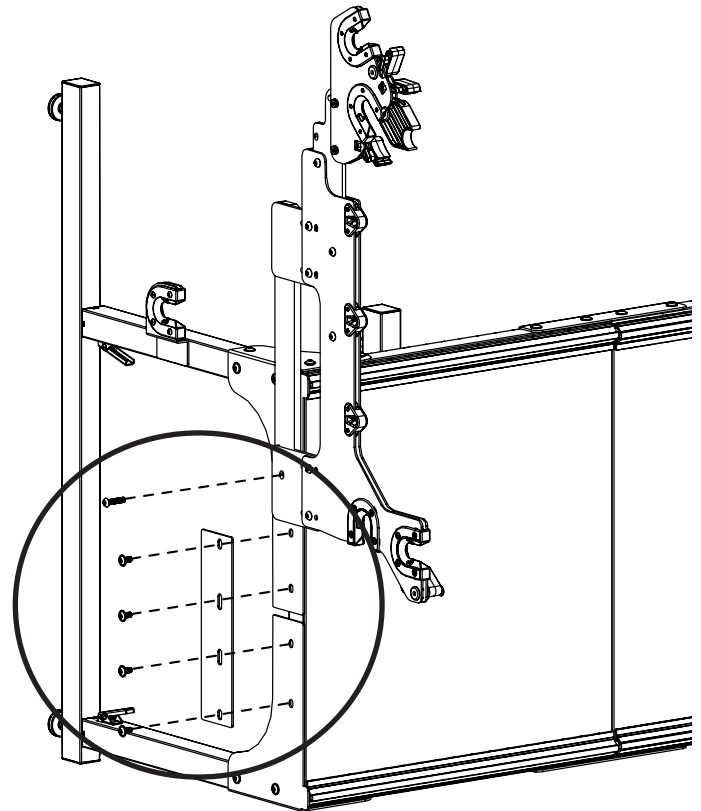
### Tools Required

5mm hex tool(provided with frame)

**S2, 5-1:** Place the frame side coupler onto the end of the frame table assembly and start the four shorter screws. Start the longer screw into the upper hole on the thick metal piece.

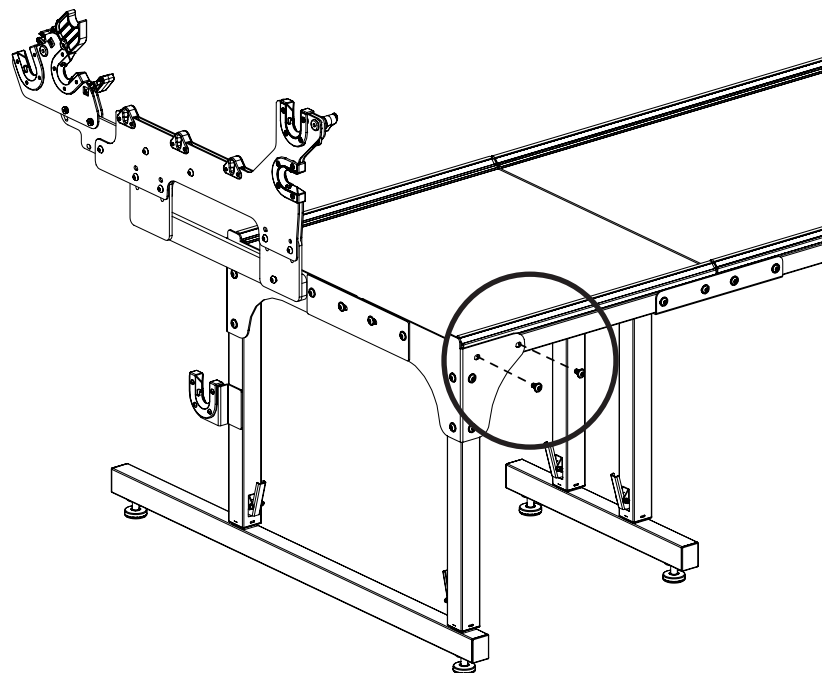
**S2, 5-2:** Tighten the five end screws firmly with a 5mm hex tool.


**S2, 5-3:** With the help of another person lift the frame upright onto its levelling feet.



**S2, 5-4:** Align and insert the two top corner screws

**S2, 5-5:** Tighten the five end screws firmly with a 5mm hex tool.



 **NOTE:** At this stage all table top, coupler, leg and frames screws should be firmly tightened.

## Step S2-6: Drilling and Tapping Track Support Coupler Holes (If Needed)



**IMPORTANT:** Fusion, Gallery and some Gallery 2 frames shipped without three holes drilled and tapped into an end of the 12-foot track supports. These tapped holes are for securing the track support couplers. In the rare case that your track supports do not have these three tapped holes, please do the following:

Use the provided: **QF10040 Drill and tap kit-Gallery.**



**NOTE:** If your 12-foot track supports do not have any holes for the track support couplers the holes will need to be drilled and tapped into one end of both track supports.

### Parts Needed

2 - 12-foot track support

### Tools Required

1 - QF-10040 Drill and Tap Kit-Gallery, consisting of:

- QF10028 Drill/Tap bit M5 x 0.8
- QF12026-00, Drill template

1 - Drill motor (not provided)

1 - Small file or flat screwdriver (not provided)

**S2, 6-1:** Place the 12-foot track support upside down on a flat surface, such as the frame top. Brace or shim the track support so it will remain flat while you drill and tap the holes.

**S2, 6-2:** Using the drill template, mark the three holes with a pencil or marking pen.

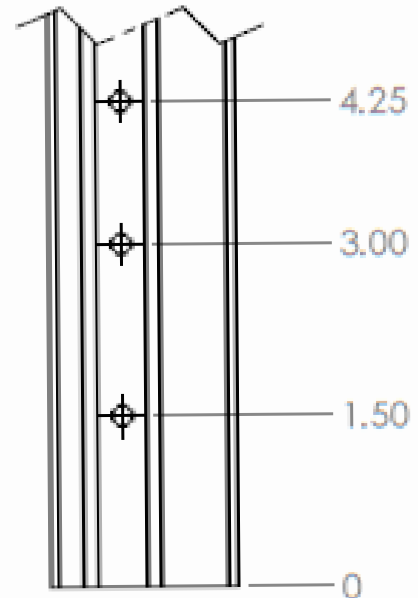


Fig. 5-1

**IMPORTANT:** The drill bit will bottom out in the hole about the time the tap creates the threads; stop as soon as it bottoms out.

**S2, 6-3:** Drill and tap the three marked holes as squarely to the bottom surface of the track support as possible. Be sure the holes are drilled between the two high ribs and located as shown (Fig 5-1).

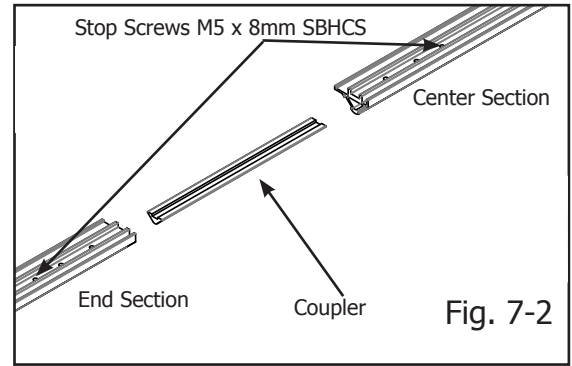
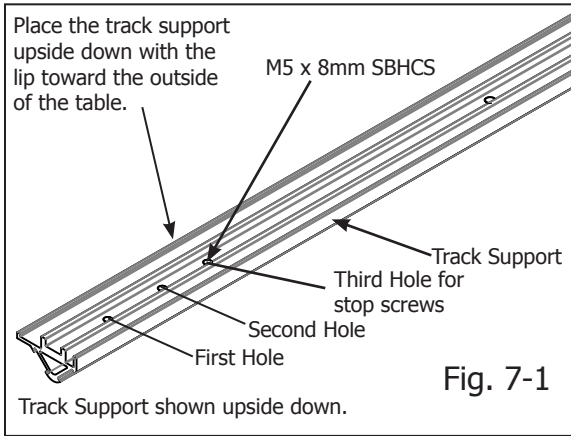
**S2, 6-4:** Clean the burrs from inside the track support with the tip of a flat screw driver or small file. If you cannot get the burrs out, it will not hurt to push them further into the track support with something, e.g. with the small file and a piece of fabric.

**S2, 6-5:** Repeat the process for the other 12-foot track support.



**NOTE:** The second end of the track support need not be drilled, unless you are not happy with the fit on the first end.

## Step S2, 7: Precision-Glide Track Support Assembly



**NOTE:** The aluminum track support sections are cut from single sections of extruded aluminum and should align when placed end to end. However, if all directions in Step S2, 7-4 are followed and track supports still do not align properly, try swapping track support sections, so that different ends are joining.

### Parts Needed

- 2 - twelve-foot track support
- 2 - two-foot track support
- 2 - track support coupler
- 12 - M5 X 8mm SBHCS
- 4 - 14-foot black plastic track insert

### Tools Required

- 3mm Allen wrench (provided with frame)

**6-1:** Check inside the ends of the track supports for burrs or debris and remove all foreign matter from the inside.

**6-2:** Lay four track-support sections on the table upside down, with the wider lip of the sections facing toward the outside of the table (Fig. 6-1).

**6-3:** To prepare for joining the 2-foot section to the 12-foot section end, screw one M5X 8mm SBHCS into the third hole from each splice end of each section to serve as a stop screw (Fig. 6-1, Fig. 6-2). Fully tighten screw. This will help align the coupler properly into the two track support sections when joined.

**6-4:** Insert a coupler into one prepared end of one track support section up to the stop screw. Thread an M5 X 8 mm

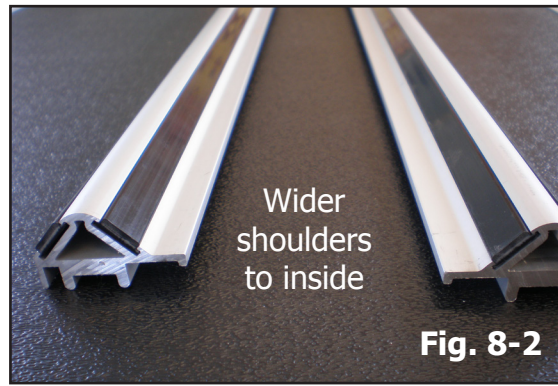
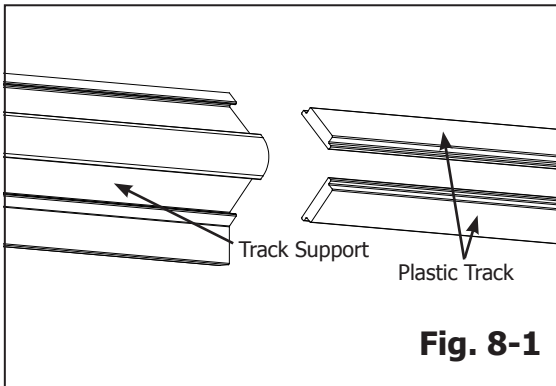
SBHCS into the first hole and lightly tighten as shown in Fig. 6-2. Insert the other end of the coupler into second prepared track support section. Hold the two adjoining track support sections tightly together and thread an M5 X 8mm SBHCS into the first hole of the second track support and lightly tighten (shown in Fig. 6-2). You may need to gently rock the track support to seat the coupler. Finally, insert a second screw into the track supports, align and tighten.


**6-5:** Repeat **Steps 6-3** and **6-4** to join remaining 12-foot track support section to the 2-foot track. Once alignment is assured, tighten all screws firmly. This will result in two completed 14-foot track support assemblies.

**6-6:** Insert a 14-foot plastic track completely into each side of the aluminum track support. The plastic tracks should slide into the track support easily. If the track binds slightly, try backing it out a little, then pushing it further. If the plastic track binds badly check the track support for debris, burrs or damage. (Fig. 7-1)

**6-7:** Repeat **step 6-1** for the second track assembly.

## Step S2, 8: Mounting Track Supports to Frame Table Top



 **NOTE:** The extrusions have a wider shoulder on one edge of the track. This shoulder is to be placed toward the inside of the table over the edge of the black plastic tabletop. (Figs.8-2 and 8-3)

### Parts Needed

- 1 - 14-foot table assembly
- 2 - 14-foot Precision-Glide Track support
- 12 - M6 x 12mm SBHCS track support hold-down screw

### Tools Required

- 4mm Allen wrench (provided with frame)

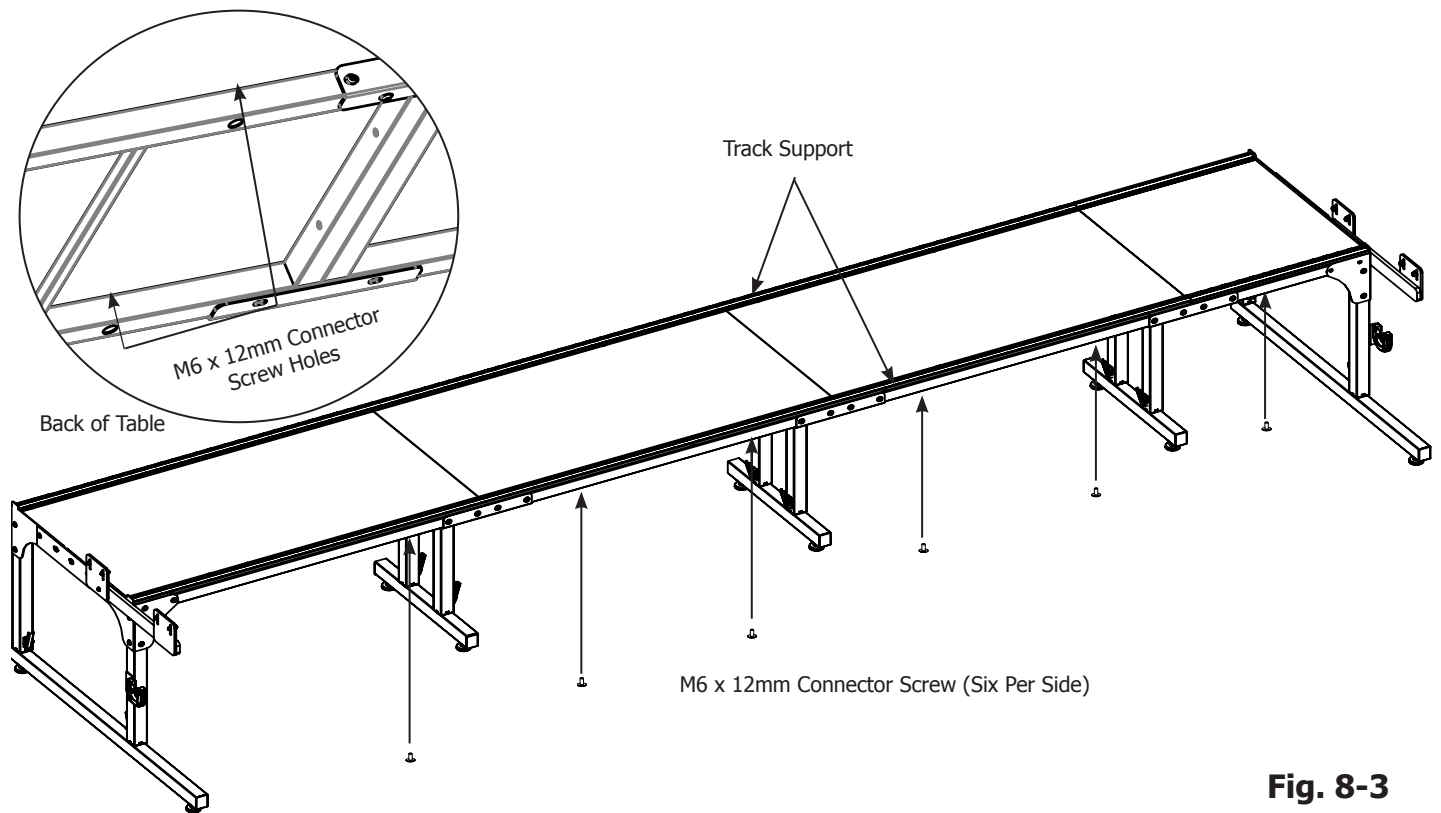
**S2, 8-3: Attach Tracks.** Secure one assembled track to the back of the quilting frame. Line up the track support by holding it tightly against the plastic tabletop with wide shoulders to the inside as shown in Fig. 8-2 and Fig. 8-3. Secure it to the frame, using six (6) M6 x 12mm connector screws. **Do not tighten screws at this time.** They need to be loose to accommodate adjustments in **Step 8-6**.

**S2, 8-4:** In same manner, attach the remaining track support to the front of the frame using six (6) M6 x 12mm connector screws.

**S2, 8-5: Align Tracks.** Place the carriage on the tracks at one end of the table. Roll back and forth along the length of the table, establishing the distance between the two tracks, taking care to check that the wheels are engaging the track on both the front and the back of the carriage. Move both tracks in tandem to the back of table as far as possible. (Slots in the tables allow this movement.) Double check that the back track is straight along the back edge of the table. Fully tighten the screws in the BACK track only (for now).

**S2, 8-6:** Place the machine onto the carriage and again roll it the entire length of the frame, working the tracks into the wheels as you go. Lightly tighten the front track support screws as you move down the table. Check the carriage to verify that it rolls smoothly and that both ends of the carriage are engaging the tracks.

## Step S2, 8: Precision-Glide Track Assembly (Continued)



**Fig. 8-3**

**⚠ NOTE:** If you find a section of track where the carriage rocks back and forth when the machine is moved all the way forward or back, loosen the front track support screws, and adjust the front track until the carriage rolls smoothly and does not rock, then re-tighten the front track screws.

**8-7:** Finally, fully tighten the front track to the table.



## Step S2-9: Lengthening Poles from 12-Foot to 14-Foot



**NOTE:** If the hook and loop tape has not been cut at the pole ends, use a razor or Exacto knife and carefully cut at the joint of the two poles, to make it possible to remove one pole for extending to 14-foot as described in steps S2, 9.



**NOTE:** It is recommended that you do one pole at a time to keep the pole sets sorted because of the hook and loop tape.

### Parts Needed

4 - twelve-foot 2" pole assembly  
1 - twelve-foot 1.5" pole assembly  
4 - two-foot pole 2"  
1 - two-foot pole 1.5"  
4 - 2" pole coupler  
1 - 1.5" pole coupler

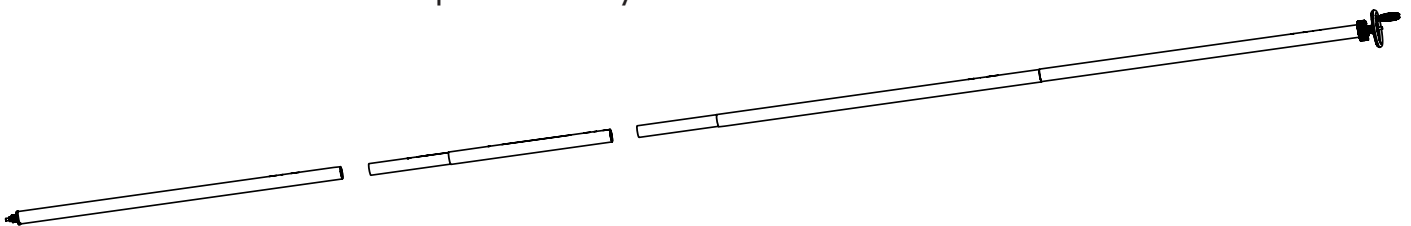
**S2, 9-1:** Remove one 4-foot pole section from the end of a twelve-foot pole assembly, leaving the pole coupler inside the remaining eight-foot pole assembly.

**S2, 9-2:** Align the snap button on the pole coupler with the hole in the two-foot pole and slide them together until the snap buttons click into place.

**S2, 9-3:** Slide the end of the two-foot pole without a coupler onto the coupler in the eight-foot pole assembly.

**S2, 9-4:** Slide the four-foot pole onto the remaining pole coupler to finish the 14-foot pole assembly

**S2, 9-5:** Repeat this process for the other three 2" poles and the 1.5" pole assembly.



**Please see pages 28-32 for the balance of the instructions, #14 through #20.**