

# SF3Light Bar 10

(10-foot frames)

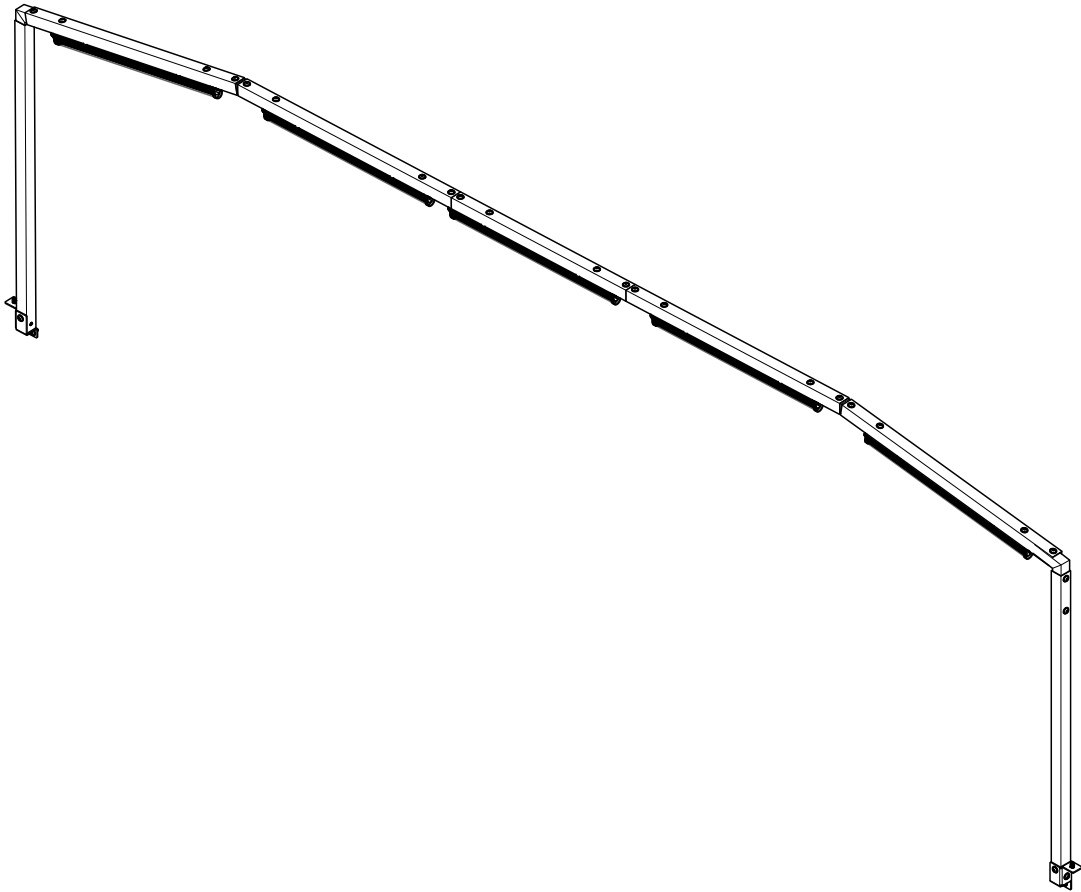
---

## SF3 Light Bar

(for 12-foot)

### Assembly Instructions

12/05/24



# Parts Lists

## Parts List - Light Bar 12

PART #	DESCRIPTION	QTY
HG01100-300	FRAME MOUNT, RIGHT	1
HG01100-301	FRAME MOUNT, LEFT	1
HG01100-302	VERTICAL TUBE	2
HG01100-303	29.35" HORIZONTAL (TOP) TUBE - LIGHT BAR	4
HG01100-304	100° ANGLED (CORNER) CONNECTOR - LIGHT BAR	2
HG01100-605	STRAIGHT CONNECTOR - LIGHT BAR	2
HG01100-608	170° ANGLED (TOP) CONNECTOR - LIGHT BAR	2
HG01100-609	PLUG, END - LIGHT BAR	2
HG01100-611	24" HORIZONTAL (TOP) TUBE - LIGHT BAR	1
QF09318-07	SCREW-M8 X 1.25 X 16 SBHCS	32
QM10289	HEX KEY L 5MM	1
HG01102-210	LED LIGHT 2 FT / 600MM TUBE	5
HG01102-212	MOUNTING CLIP LED TUBE LIGHT, MAGNETIC	10
HG01102-213	POWER CORD W/SWITCH (LIGHT BAR)	1
HG01102-214	INTERCONNECT CORD (LIGHT BAR)	4
HG01102-215	POWER SOCKET COVER-LIGHT BAR	1
HG01101-106	CLIP-POWER CORD U TYPE	7
NO PART #	INSTRUCTIONS FOR 10 AND 12 FOOT LIGHT BAR ASSEMBLY FOR SF3	1

## Parts List - Light Bar 10

PART #	DESCRIPTION	QTY
HG01100-300	FRAME MOUNT, RIGHT	1
HG01100-301	FRAME MOUNT, LEFT	1
HG01100-302	VERTICAL TUBE	2
HG01100-303	29.35" HORIZONTAL (TOP) TUBE - LIGHT BAR	4
HG01100-304	100° ANGLED (CORNER) CONNECTOR - LIGHT BAR	2
HG01100-605	STRAIGHT CONNECTOR - LIGHT BAR	1
HG01100-608	170° ANGLED (TOP) CONNECTOR - LIGHT BAR	2
HG01100-609	PLUG, END - LIGHT BAR	2
QF09318-07	SCREW-M8 X 1.25 X 16 SBHCS	28
QM10289	HEX KEY L 5MM	1
HG01102-210	LED LIGHT 2 FT / 600MM TUBE	4
HG01102-212	MOUNTING CLIP LED TUBE LIGHT, MAGNETIC	8
HG01102-213	POWER CORD W/SWITCH (LIGHT BAR)	1
HG01102-214	INTERCONNECT CORD (LIGHT BAR)	4
HG01102-215	POWER SOCKET COVER-LIGHT BAR	1
HG01101-106	CLIP-POWER CORD U TYPE	7
NO PART #	INSTRUCTIONS FOR 10 AND 12 FOOT LIGHT BAR ASSEMBLY FOR SF3	1

# Section 1: Top Bar Left and Right Assembly

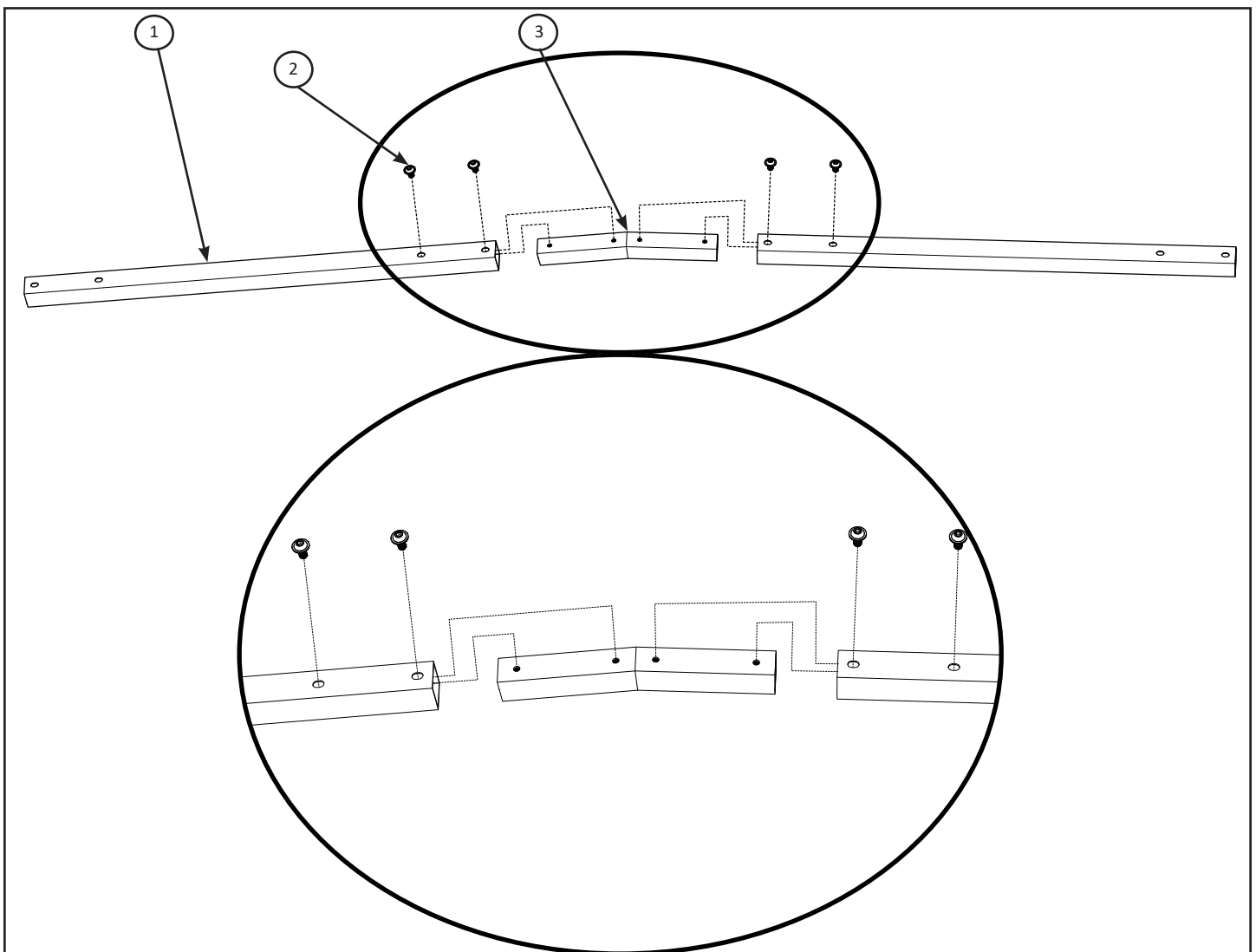
**Step 1:** Slide a 170° connector into one end of a 29.35" horizontal tube. Start two fasteners through the tube into the connector. Finger tighten only at this point.

ITEM	PART #	DESCRIPTION	QTY
1	HG01100-303	29.35" HORIZONTAL (TOP) TUBE - LIGHT BAR	4
2	QF09318-07	SCREW, M8 X 1.25 X 16 SKBHCS	8
3	HG01100-608	170° ANGLED (TOP) CONNECTOR - LIGHT BAR	2

**Step 2:** Repeat Step 1 with another 29.35" horizontal tube on the other end of the connector.

**Step 3:** Repeat Steps 1 and 2 for a second assembly.

**Step 4:** Tighten the four screws firmly on both assemblies with the provided 5mm hex tool.




## Section 2: Connecting Left and Right Top Bar Assemblies 12'

**Step 1:** Place a straight connector into each end of a 24" horizontal center tube. Align the holes and insert two screws through the bar into each connector.

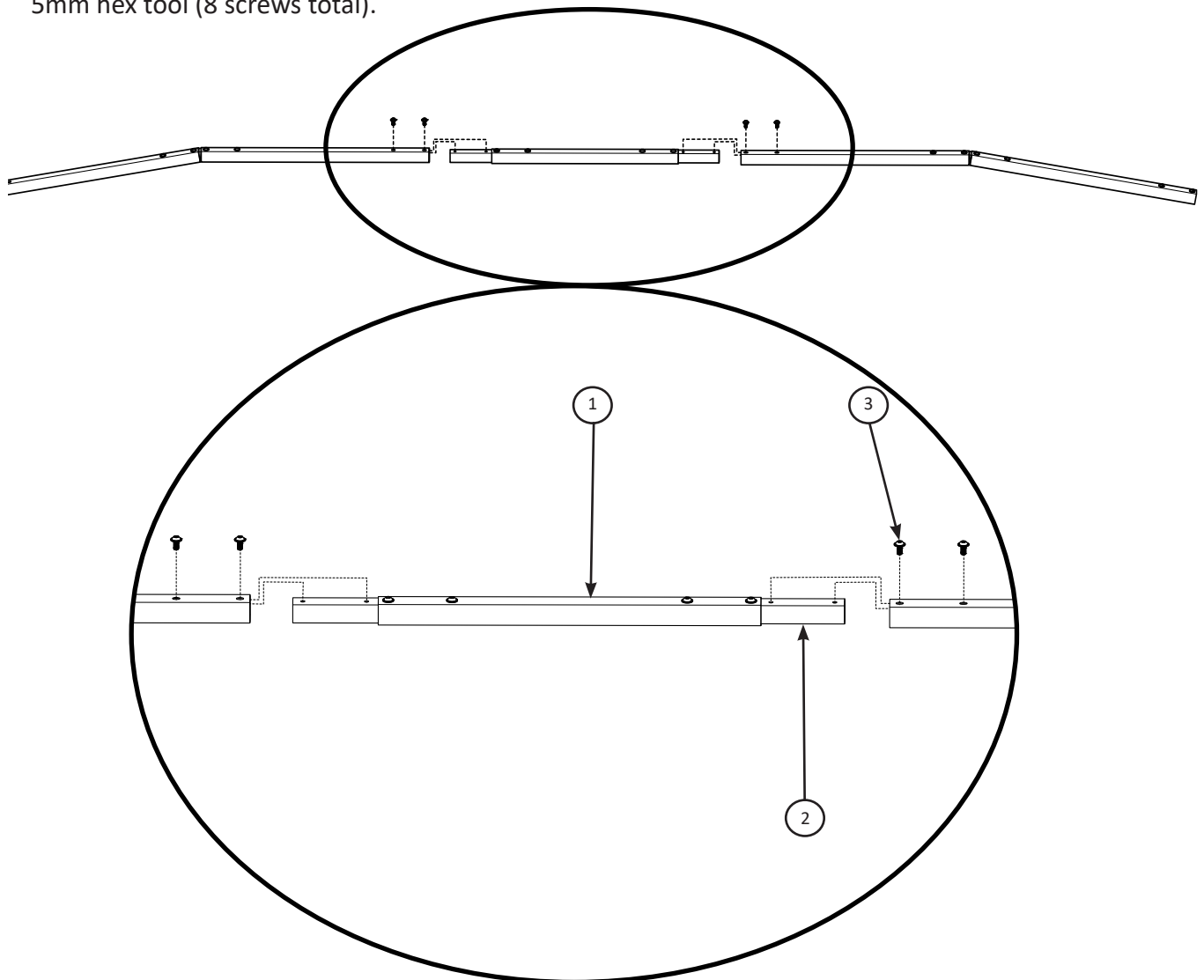
ITEM	PART #	DESCRIPTION	QTY
1	HG01100-611	24" HORIZONTAL (TOP) TUBE - LIGHT BAR	1
2	HG01100-605	STRAIGHT CONNECTOR - LIGHT BAR	2
3	QF09318-07	SCREW, M8 X 1.25 X 16 SKBHCS	8

**Step 2:** Slide the left and right top bar assemblies onto the ends of the straight connectors on the 24" center horizontal tube.

**Step 3:** Align the holes and place screws through the left and right side bar assemblies into straight connectors.

 **Note:** One top bar assembly will be used on each side of the two foot center section, with a straight connector on each side on the 12' Light Bar Assembly.

**Step 4:** Tighten the four screws into the 24" center horizontal tube and two screws in the left and right top bar assemblies with the 5mm hex tool (8 screws total).




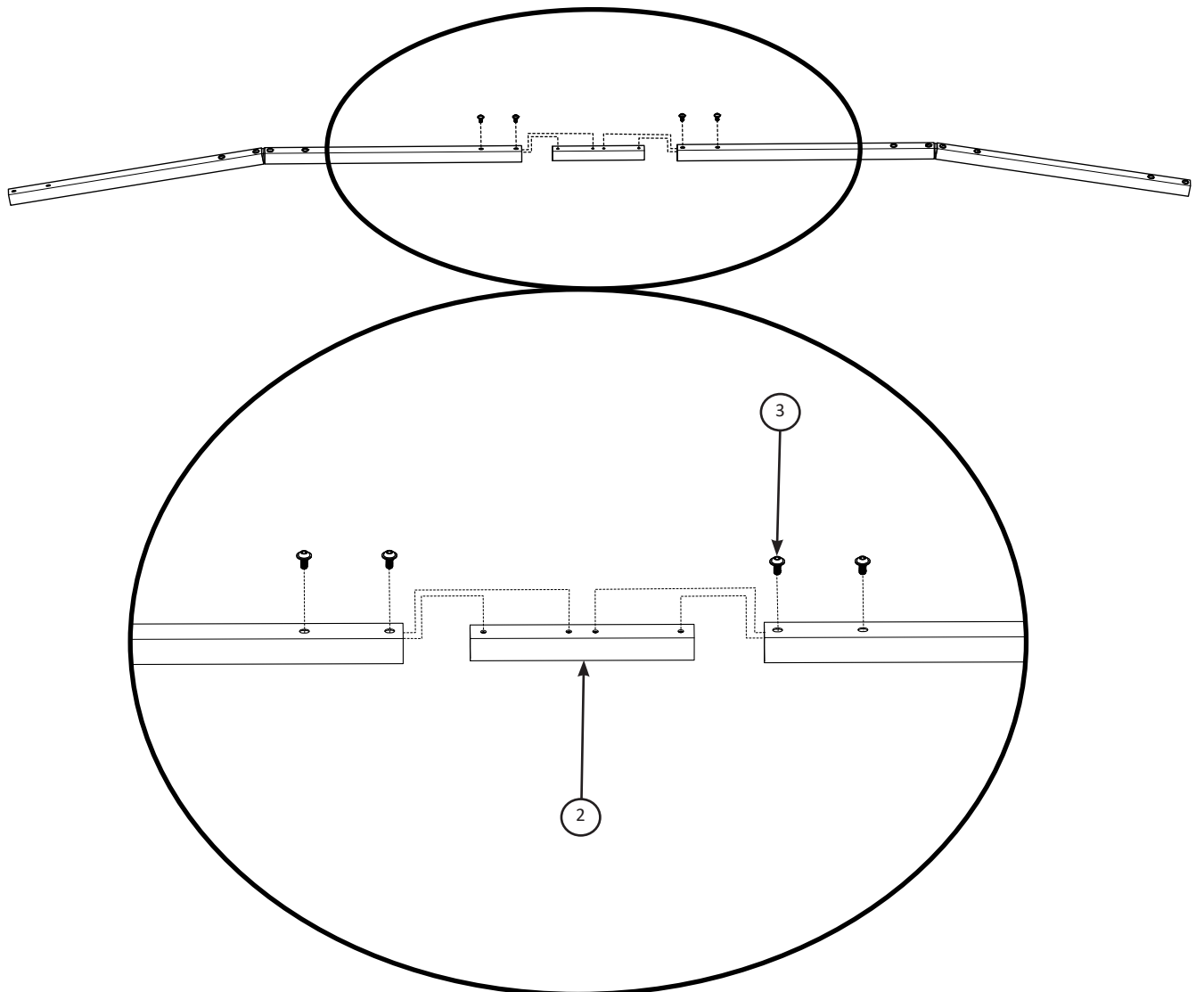
## Section 3: Connecting Left and Right Top Bar Assemblies 10'

**Step 1:** Place a straight connector into the end of a left and a right top bar assembly to join them together. Align the holes and insert two screws through the bar into each connector.

**Step 2:** Tighten the four screws into the center straight connector with the 5mm hex tool (4 screws total).

ITEM	PART #	DESCRIPTION	QTY
2	HG01100-605	STRAIGHT CONNECTOR - LIGHT BAR	1
3	QF09318-07	SCREW, M8 X 1.25 X 16 SKBHCS	4

 **Note:** One top bar assembly will be used on each side of a center straight connector for a 10' light bar assembly. The 10' Light Bar does not have a two foot center section, just one center straight connector to join the left and right top bar assemblies.



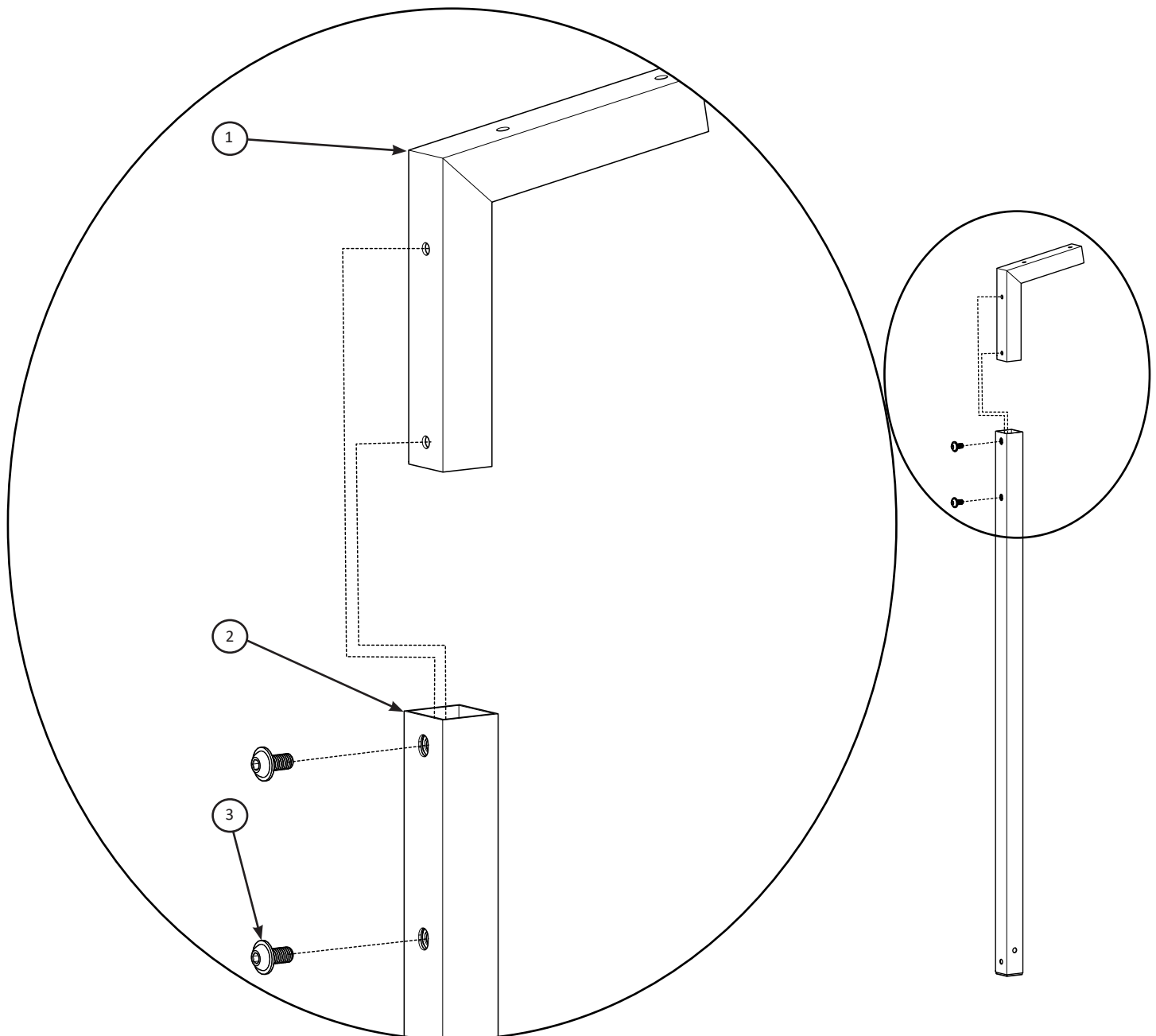
## Section 4: Vertical Tube with Corner Connector

**Step 1:** Place a 100° angled corner connector into a vertical tube. Align the holes and insert two screws through the vertical tube into the corner connector.

ITEM	PART #	DESCRIPTION	QTY
1	HG01100-304	100° ANGLED (CORNER) CONNECTOR - LIGHT BAR	2
2	HG01100-302	VERTICAL TUBE	2
3	QF09318-07	SCREW, M8 X 1.25 X 16 SKBHCS	4

**Step 2:** Tighten the two screws into the corner connector with the 5mm hex tool.

**Step 3:** Repeat Steps 1 and 2 to make a second vertical pole with corner connector.



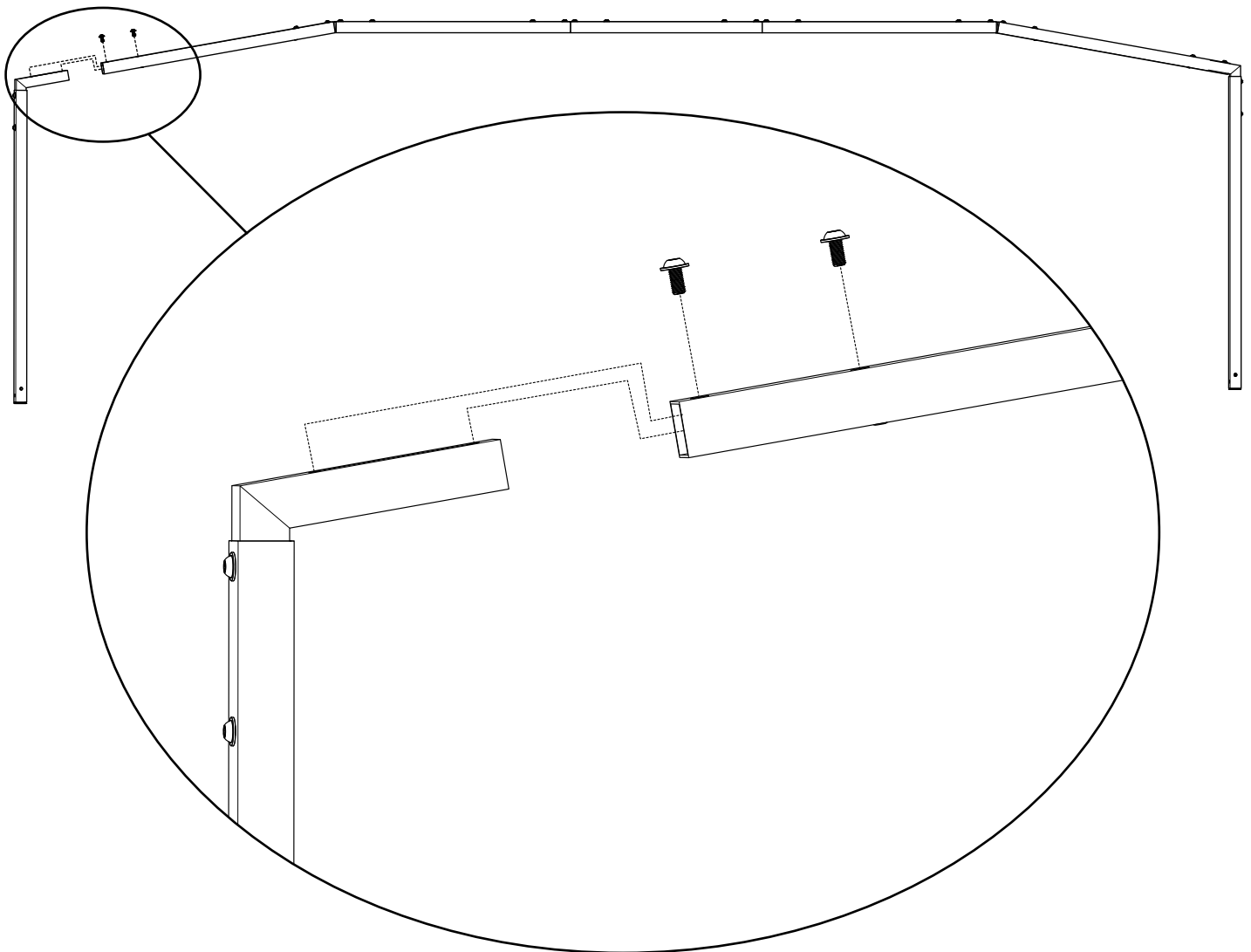
## Section 5: Vertical Tube to Top Horizontal Bar Assembly

**Step 1:** Slide the corner connector on the top of the vertical tube assembled in Section 4 into the Horizontal Bar assembled in Step 2 or 3 (depending upon whether the light bar is 12' or 10'). Align the holes and insert two screws through the horizontal tube into the corner connector.

ITEM	PART #	DESCRIPTION	QTY
3	QF09318-07	SCREW, M8 X 1.25 X 16 SKBHCS	4

**Step 2:** Tighten the two screws into the corner connector with the 5mm hex tool.

**Step 3:** Repeat Steps 1 and 2 to connect the other vertical tube with corner connector to the other end of the top horizontal bar assembly.





# Section 6: Light Assemblies to Top Bar Assembly

**Step 1:** Place a magnetic clip onto each end of the LED light. The clips should be approximately 2" from each end.

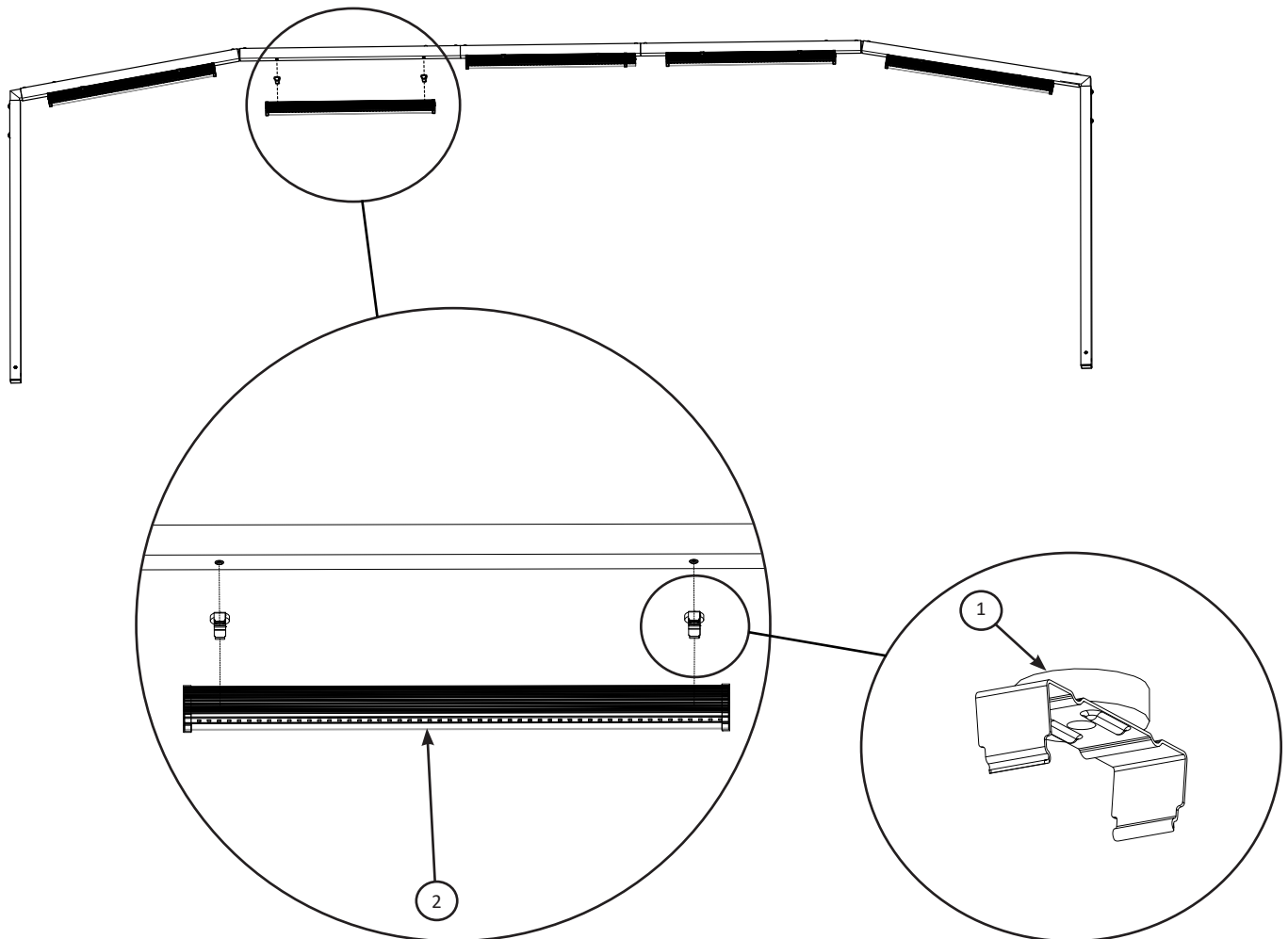
ITEM	PART #	DESCRIPTION	QTY
1	HG01102-212	MOUNTING CLIP WITH MAGNET	10
2	HG01102-210	LED LIGHT 2 FT / 600MM TUBE	5

**Step 2:** Center the LED light and clips onto the bottom of the horizontal top bar.

 **NOTE:** The 10' light bar has 4 lights and 8 magnetic clips.

 **NOTE:** Each section of the top bar has threaded inserts on the bottom for screws which are not longer used. These inserts fit nicely into the dimple on the top of the magnetic clip. This aids with positioning the magnetic clips and LED lights front to back and side to side on the top bar.

**Step 3:** Repeat Steps 1 and 2 for the other LED lights







# Section 7: Interconnect Cords, Power Cord, and Cord Clips

**Step 1:** Note the locations for the power cord clips (U type) in the illustration below.


**Step 2:** Remove the clip backing and press the clips firmly onto the frame at each location shown.

 **NOTE:** It may be easier to insert the cord into the clips by spreading the two tabs a bit apart first, using a tool such as a screwdriver.

**Step 3:** Place an interconnect cable between each LED light and press the cord into the tabs.

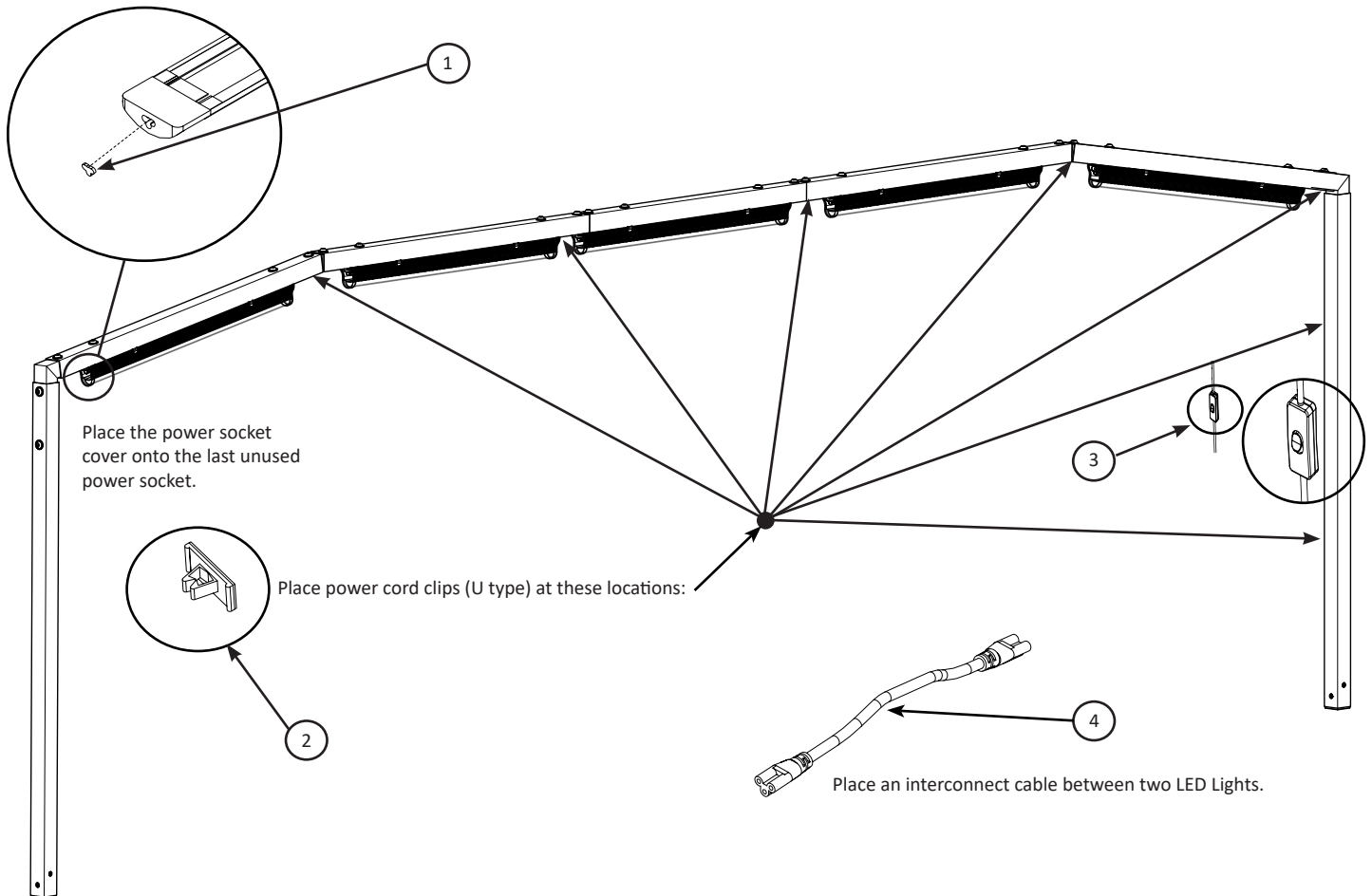
 **NOTE:** It is important that the LED lights not be too far apart. The interconnect cords should have a little pressure pushing them into the connector, otherwise they will pull out of the LED light assembly.

ITEM	PART #	DESCRIPTION	QTY
1	HG01102-215	POWER SOCKET COVER-LIGHT BAR	1
2	HG01101-106	CLIP-POWER CORD U TYPE	7
3	HG01102-213	POWER CORD W/SWITCH	1
4	HG01102-214	INTERCONNECT CORD (LIGHT BAR)	4

 **NOTE:** The 10' light bar has 3 interconnect cables.

**Step 4:** Plug the power cord into the first LED light and press the cord into the clips.

**Step 5:** Place a safety power socket cover into the last LED light power socket. This will prevent someone from inadvertently placing anything into the socket.



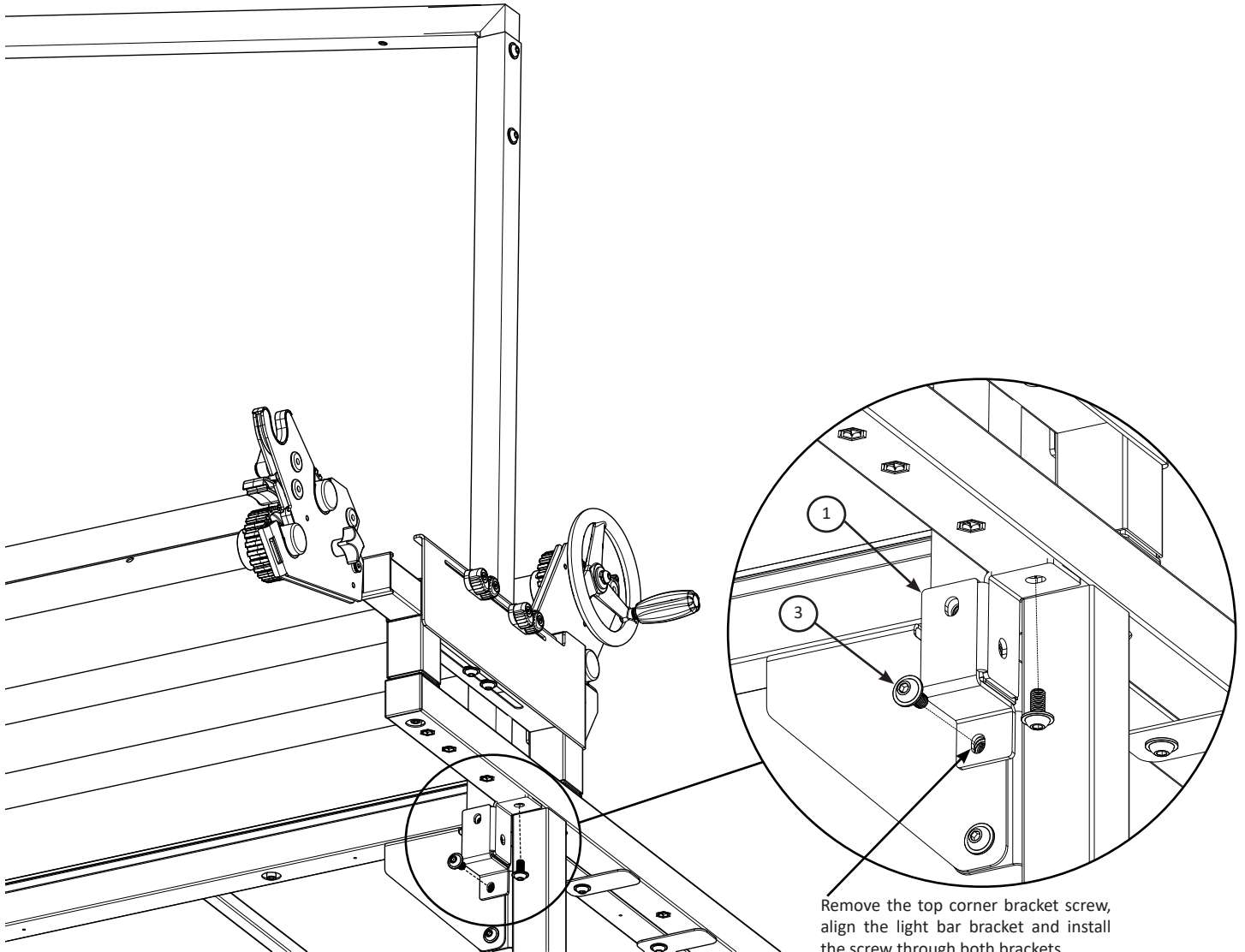
## Section 8: Left and Right Frame Mounts

**Step 1:** Remove the top corner bracket screw, align the light bar mount, and install the screw through both the mount and the corner bracket.

**Step 2:** Insert the other screw through the mount up into the frame as shown bracket as shown. Tighten the two screws with the 5mm hex tool.

**Step 3:** Repeat Step 1 and 2 on the other side for the second light bar mounting bracket.

ITEM	PART #	DESCRIPTION	QTY
1	HG01100-300	FRAME MOUNT, RIGHT	1
2	HG01100-301	FRAME MOUNT, LEFT(Not Shown - mirror of right mount)	1
3	QF09318-07	SCREW-M8 X 1.25 X 16 SBHCS	4



Remove the top corner bracket screw, align the light bar bracket and install the screw through both brackets.

## Section 9: Light Bar to Left and Right Frame Mounts

**Step 1:** With the help of a second person lift the light bar assembly and set it down into the left and right mounts.

ITEM	PART #	DESCRIPTION	QTY
3	QF09318-07	SCREW-M8 X 1.25 X 16 SBHCS	4

**Step 2:** Align the other two screws through the mount and into the light bar vertical tube as shown.

**Step 3:** Tighten the two screws with the 5mm hex tool.

**Step 4:** Repeat Step 1 and 2 on the other side for the second light bar mounting bracket.

