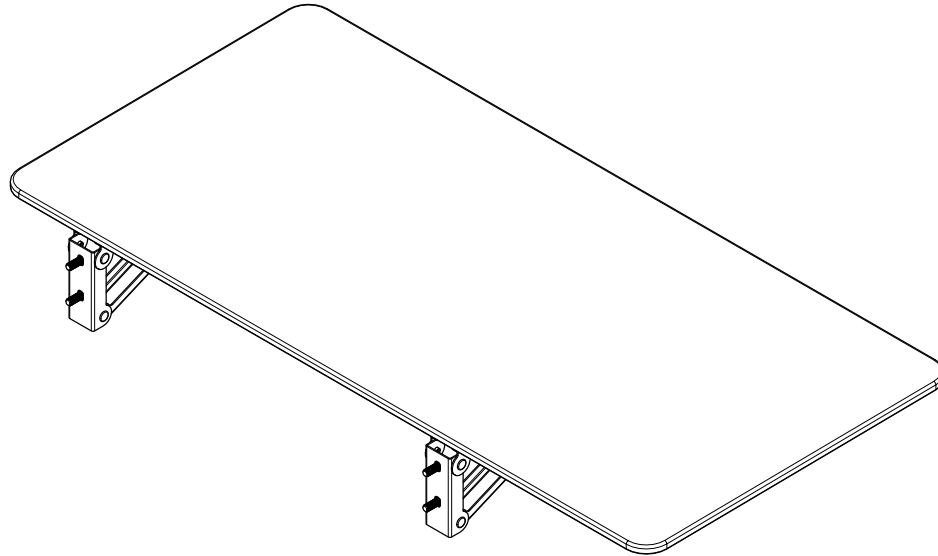


# Stationary Longarm Table Extension

## 16 - 20 Assembly Instructions



### Table of Contents

- 2 What's Included, Replacement Parts, Hardware, Tools Needed
- 3 Installing Folding Mounting Brackets
4. Installing Braces to Table Extension
5. Preparing Folding Mounting Brackets for Table Extension
- 6 Installing the Table Extension
- 7 Tightening the Table Extension Screws
- 8 Tightening the Table Brace to Folding Mounting Bracket Screws
- 9 Fine Adjustment of the Table Extension
- 10 Lowering the Table Extension

### Introduction

The Stationary Longarm Table Extension can be used on the left, right, or both sides of the table to provide an extended work surface. The table extensions can be folded down when not in use to save space.

# What's Included with the Stationary Longarm Table Extension 16-20 Kit

## QT09040-700 - Replacement Parts and Hardware

- (1) QT09040-701 Table Extension
- (2) QT09040-702 Folding Mounting Brackets
- (4) QM13262 Screw-M8x20 SKB ZN
- (38) QM00500-14 Screw-M4x6 PHP ZN
- (2) QT09040-705 Brace-Front SD EXT 16-20
- (2) QT09040-706 Brace-Center SD EXT 16-20
- (2) QT09040-707 Brace-Rear SD EXT 16-20
- (1) QM10289 Hex Key L 5mm
- (1) QM40231 Wrench 10mm

## Tools Needed

- Hex Key L 5mm (Provided)
- #2 Phillips Head Screwdriver (Not Provided)
- 10mm Wrench (Provided)

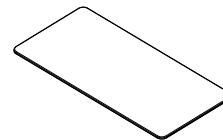
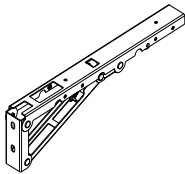
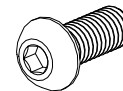


Table Extension  
(1) QT09000-701



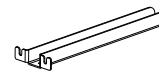
Folding Mounting Bracket  
(2) QT09000-702



Screw-M8X20 SKB ZN  
(4) QM13262



Screw-M4x6 PHP ZN  
(38) QM00500-14



Brace Front SD EXT 16-20  
(2) QT09040-705



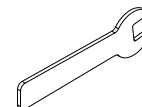
Brace Center SD EXT 16-20  
(2) QT09040-706



Brace Rear SD EXT 16-20  
(2) QT09040-707



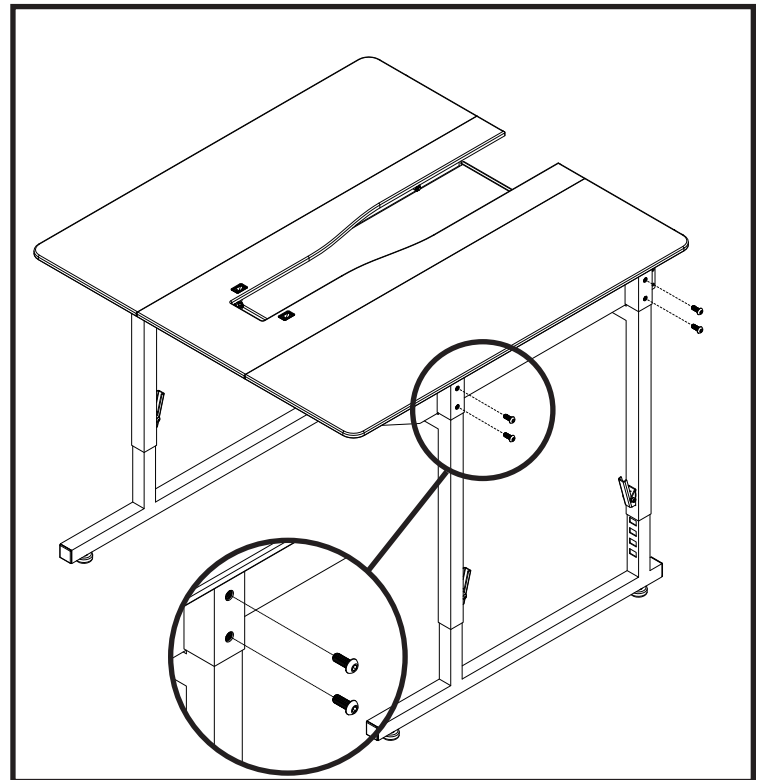
Hex Key L 5mm  
(1) QM10289



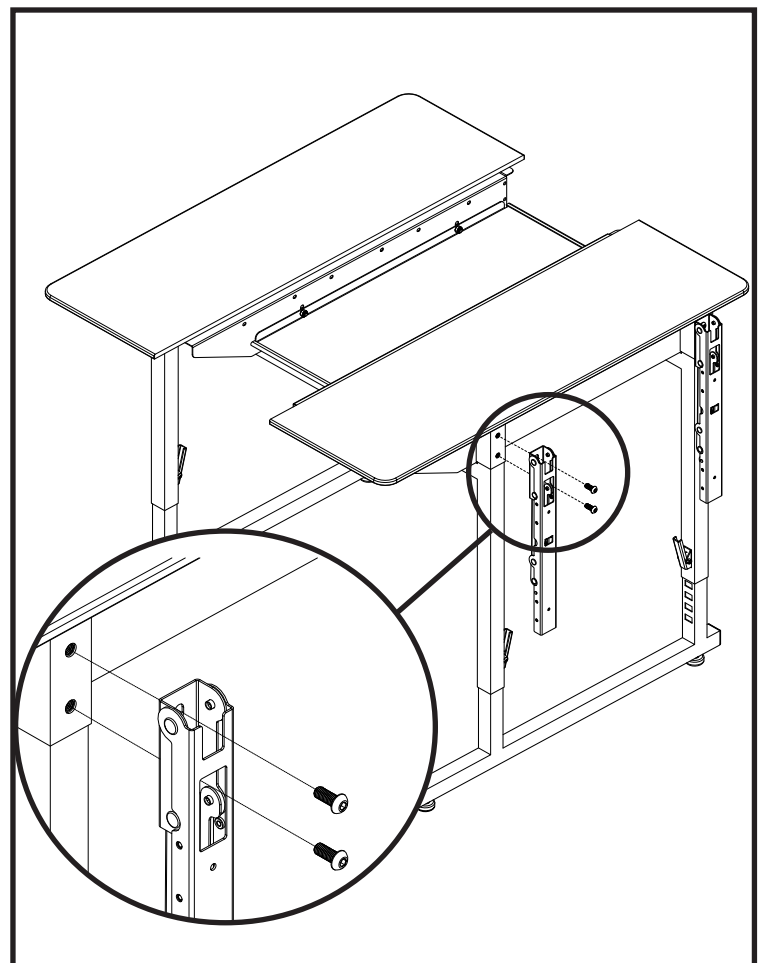
Wrench 10mm  
(1) QM40231

# Installing Folding Mounting Brackets

1. Determine on which side of the table you want the extension.
2. Remove the two screws from the top of each leg on that side of the table and set them aside. These screws will not be used on the table extension.



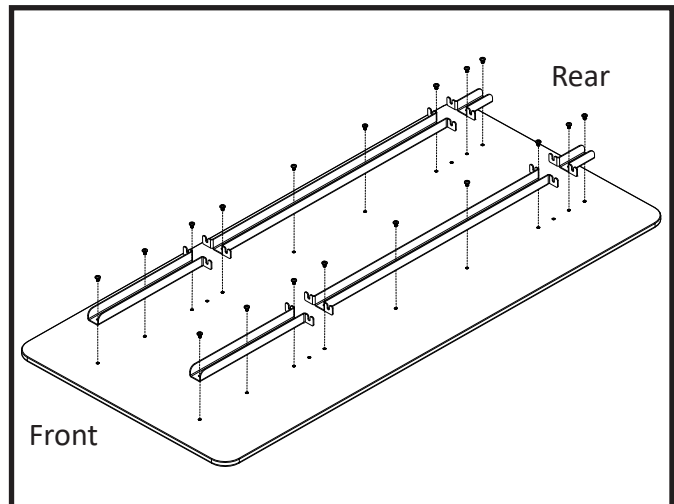
3. Place two M8x20 socketed head screws through the bracket and into the table leg where you removed the screws earlier.
4. Use the M5 hex tool to start the screws. Tighten the screws until snug and then loosen them slightly for the height adjustment and extension alignment later on.
5. Repeat Steps 3 and 4 for the other bracket.



## Installing Braces to Table Extension

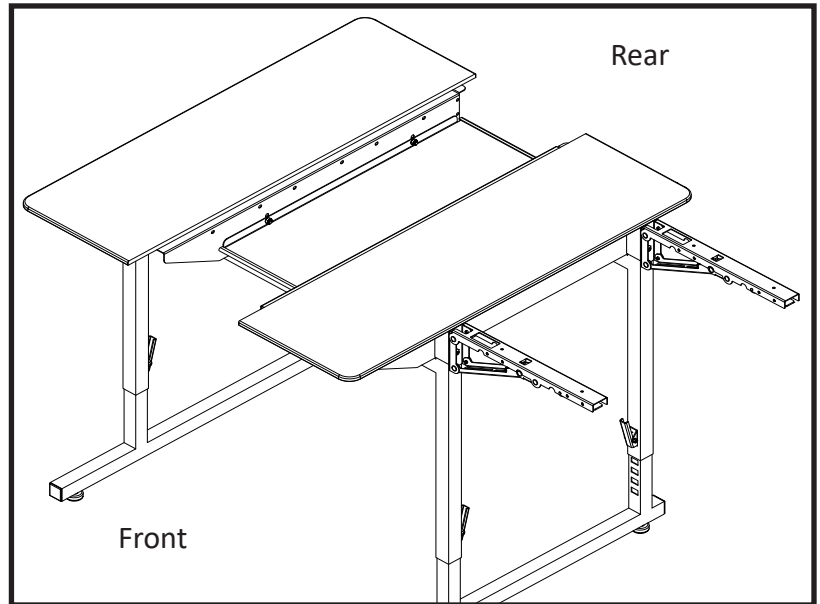
**Note:** the short brace goes to the rear, the long in the center, and the medium to the front; whether the extension is mounted to the right or left side of the table.

1. Place the extension on a protective surface with the holes up as shown.
2. Place two M4 X 6 Phillips screws through each of the two short rear braces into the table top threaded holes.
3. Place four M4 X 6 Phillips screws through each of the two long center braces into the table top threaded holes.
4. Place three M4 X 6 Phillips screws through each of the two medium front braces into the table top threaded holes.
5. Tighten each of the screws with a #2 Phillips screwdriver and then loosen them a little for final adjustment later on.

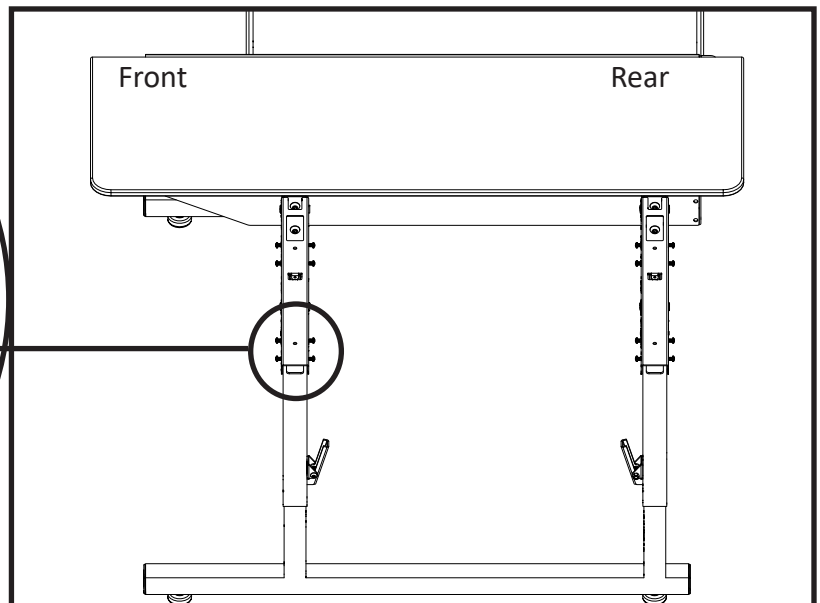
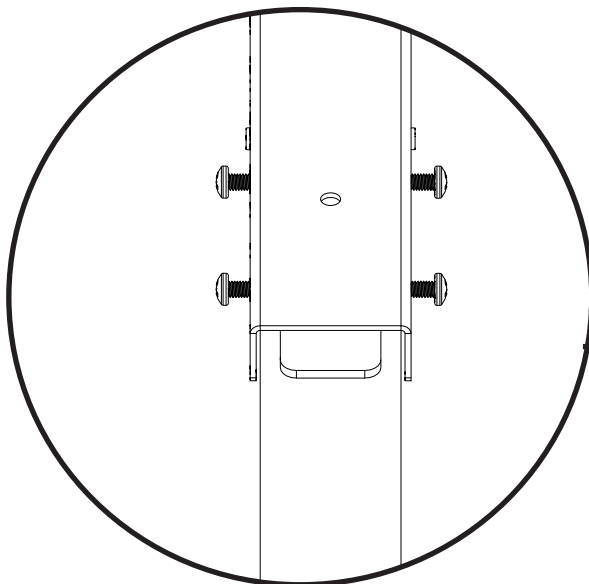
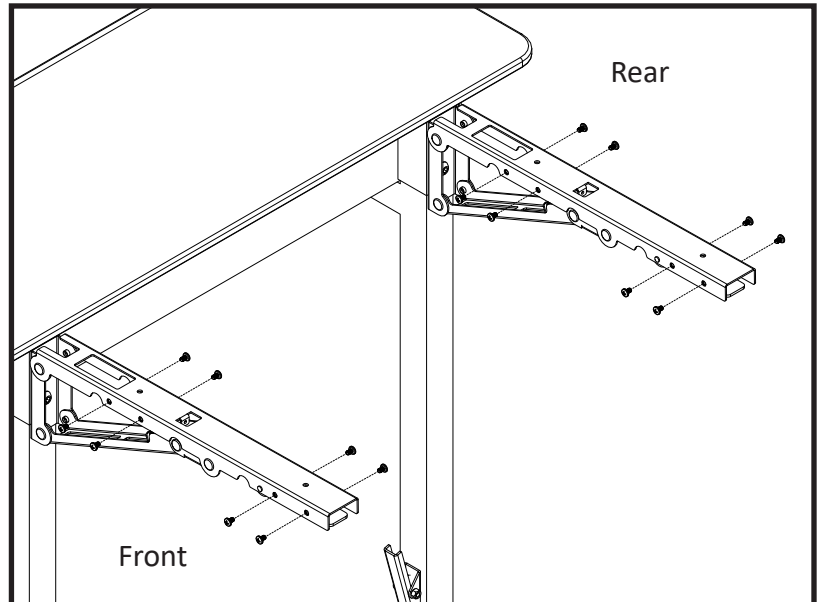


# Preparing Folding Mounting Brackets for Table Extension

1. Raise both brackets to the up and locked position.

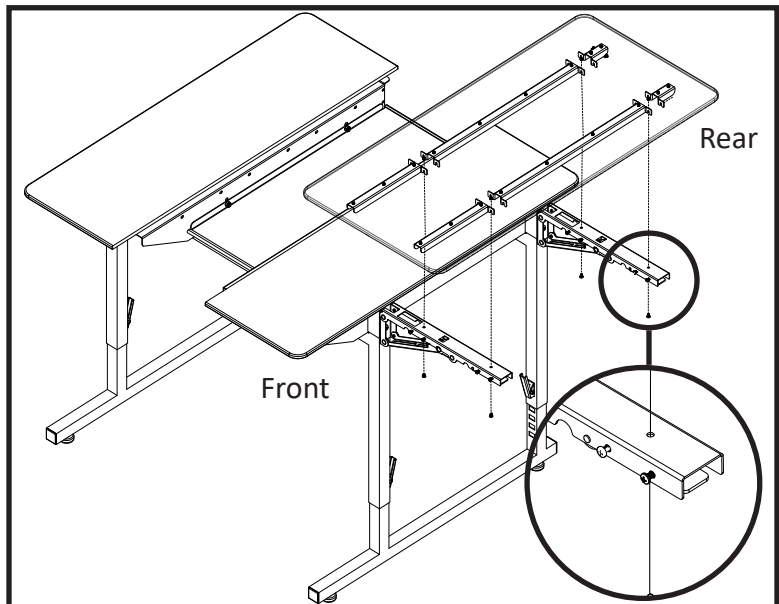


2. Prepare the folding mounting brackets for the braces by installing the two screws for each brace (16 screws total). Just barely start the screws so the braces can slide down over the screws as shown below.

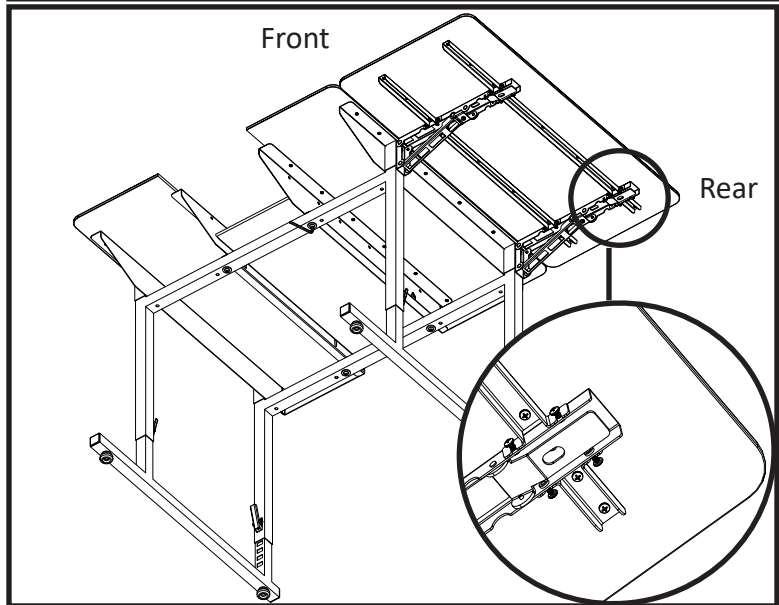


# Installing Table Extension with Braces to Folding Mounting Brackets

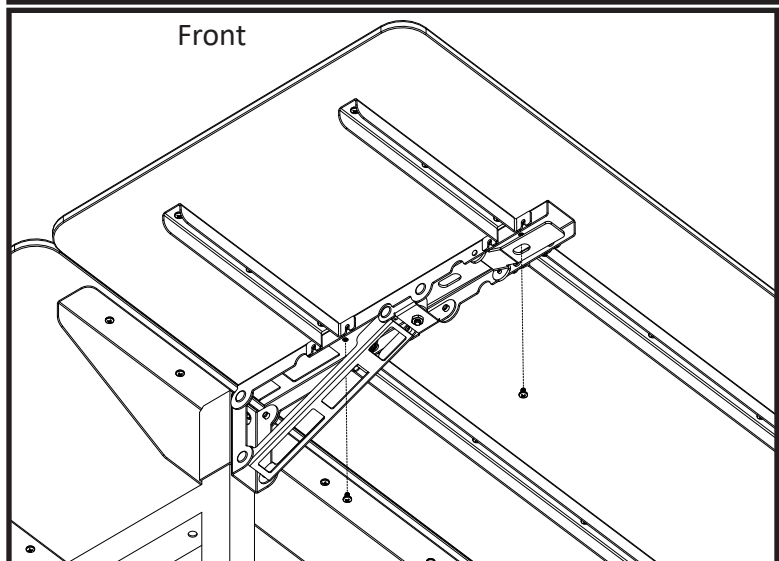
**Note:** the short brace goes to the rear, and the medium brace to the front. The image shows the top material transparent so you can see through it to the braces on the bottom side.



1. Place the table extension with the short braces towards the rear of the table down over the screws and onto the two folding mounting brackets.



2. Align the four pre-threaded holes in the table extension with the holes in the folding mounting bracket and start the four M4x6 Phillips head screws into the top.

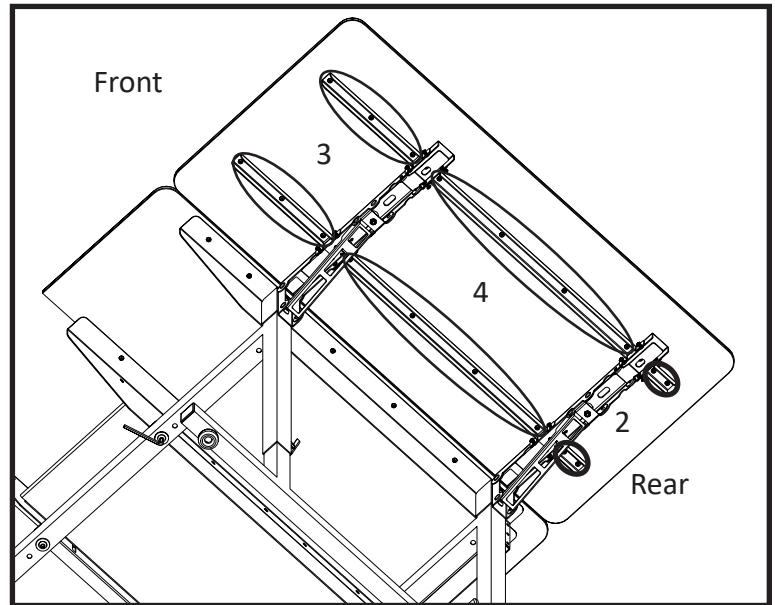


3. Fully tighten the four screws with a #2 Phillips screwdriver.

## Tightening Table Brace Screws to Table Extension

1. Now that all the screws are started and the four screws are tightened into the table extension we are ready to tighten the screws left loose earlier.
2. Using a #2 Phillips screwdriver tighten all the brace screws into the table extension ensuring there is no gap between the brace and the table extension.

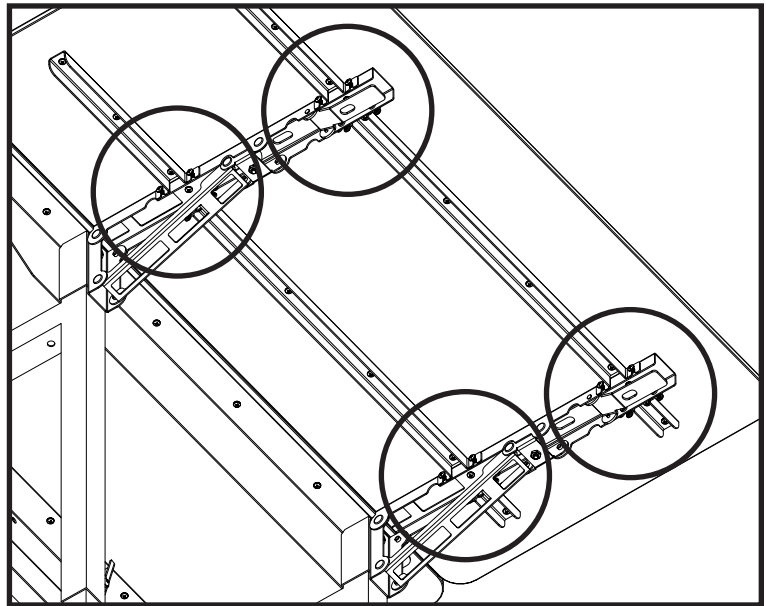
**Note:** There are 3 screws in each medium brace, 4 in each center brace and 2 in each short brace for a total of eighteen screws.



## Tightening Table Brace Screws to Folding Mounting Brackets

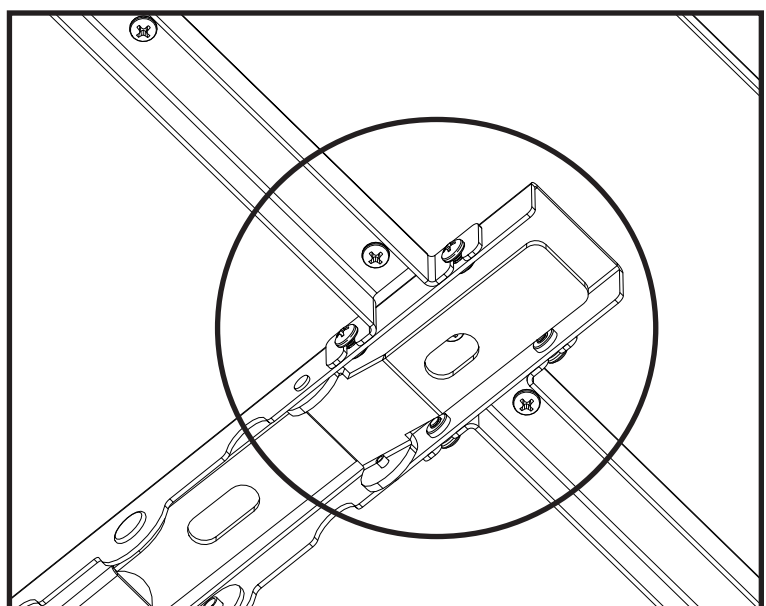
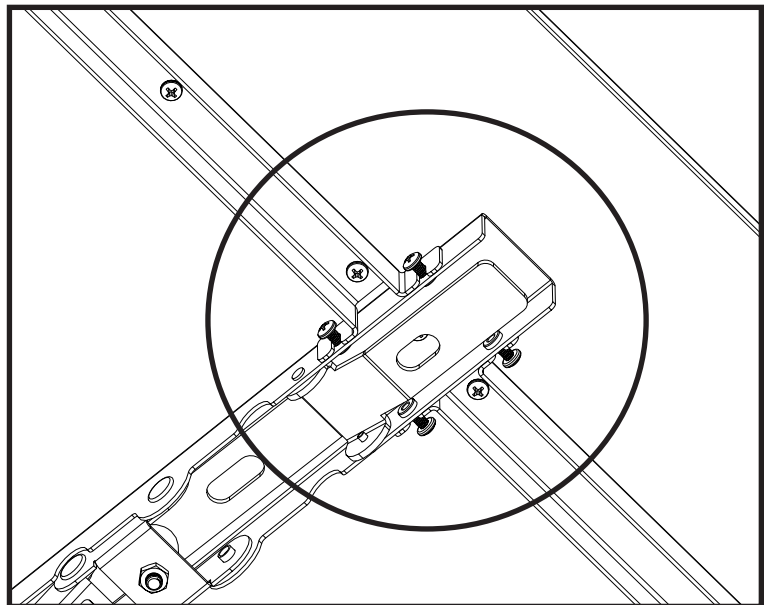
**Note:** each folding mounting bracket has 4 table brace joints with two screws each for a total of eight screws.

1. The screws for the connection between the table braces and the folding mounting brackets were started earlier and just need to be tightened now.



2. Fully tighten the two screws at each of the eight table braces where they meet the folding mounting brackets.

**Note:** All screws should now be fully tightened except the height adjustments screws connecting the folding mounting brackets to the table. These will be tightened in the next step.

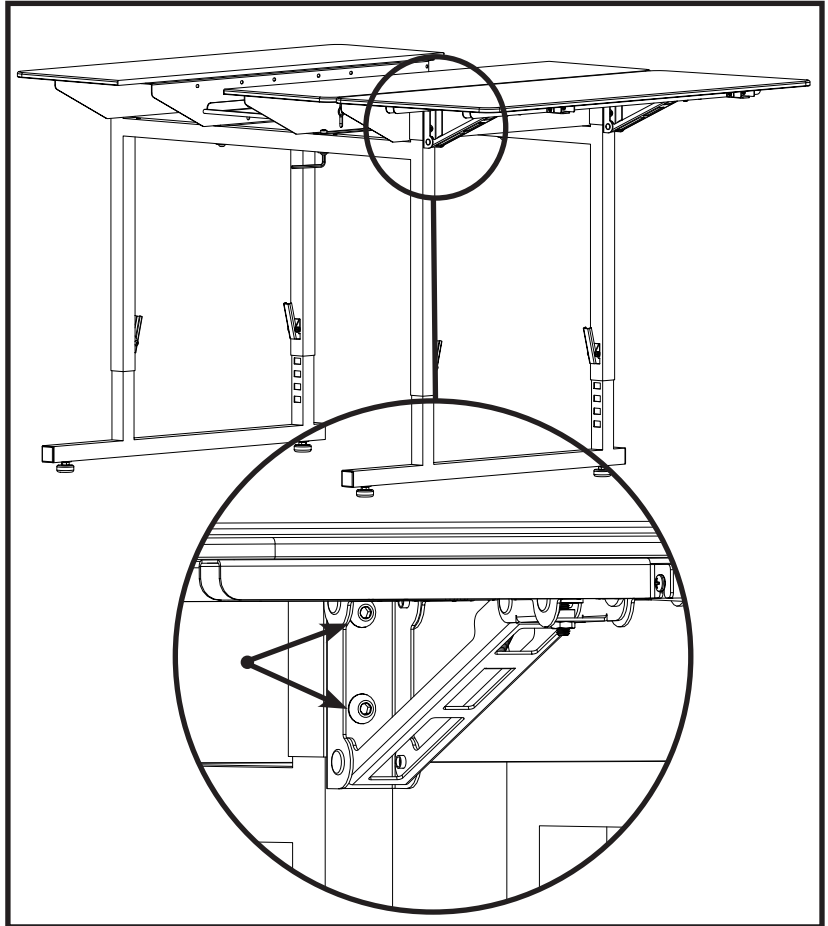




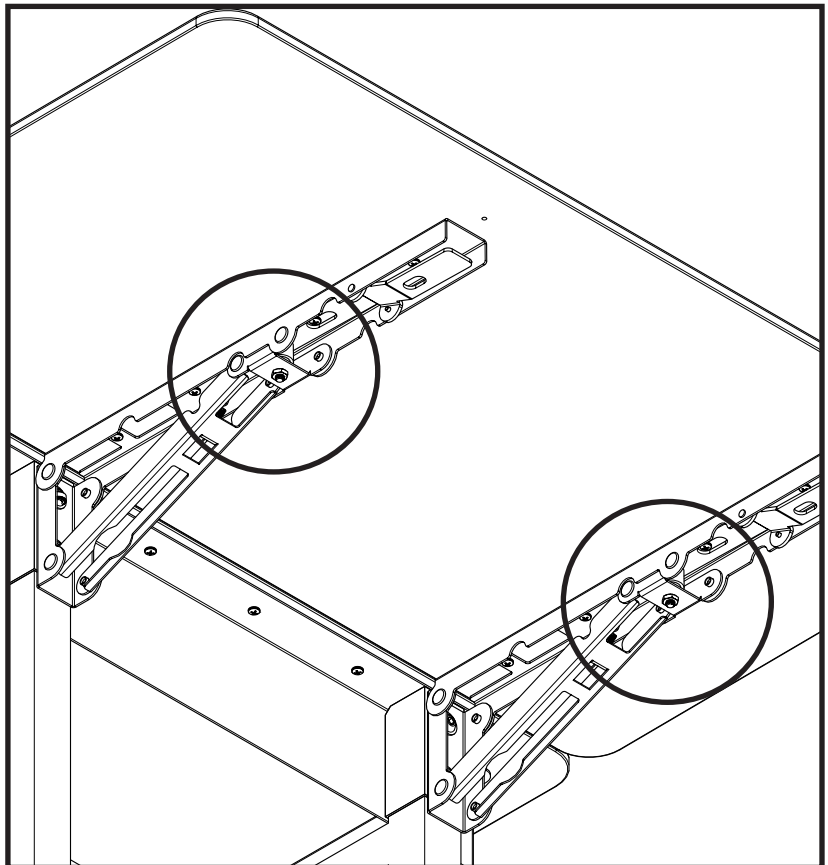
## Fine Adjustment of Table Extension

1. Raise or lower the table extension to match the main table top height then fully tighten the two M8x20 screws on each bracket to set the position with the 5mm L hex key provided.

Note: If you have already tightened the two screws on each bracket you will need to loosen them to make this adjustment.



2. Each bracket has a rubber bumper for leveling the table extension. Loosen the jam nut with the 10mm wrench (provided). Adjust the rubber bumpers in or out as needed until the top is level. Tighten the jam nut to hold the position using the 10mm provided wrench.
3. Check the height to make sure the inside edge of the table extension still matches the table height.



## Lowering Table Extension

1. To lower the table extension, gently lift the extension while squeezing the release lever on both brackets. Then lower the extension to the down/stored position.

