

# MOXIE™

HG00446

## Steady-Fit™ Ruler Base

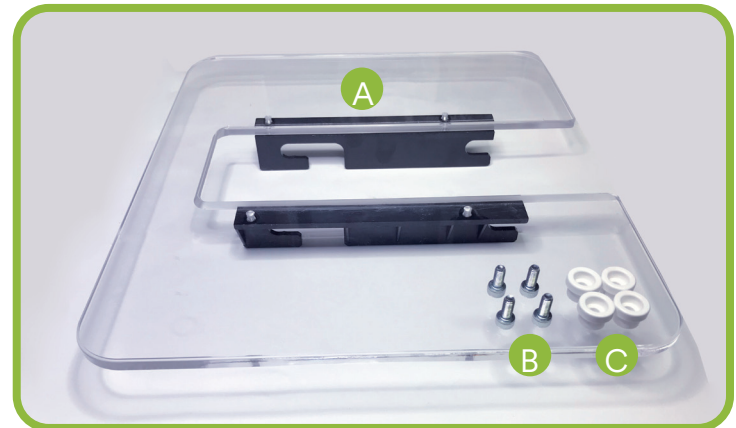
### Installation Instructions

#### KIT CONTENTS:

- A** (1) Ruler Base Assembly
- B** (4) Screw-M5X14 SKC ZN (QM10176)
- C** (4) Ruler Base Post (QM11729)

#### TOOLS NEEDED:

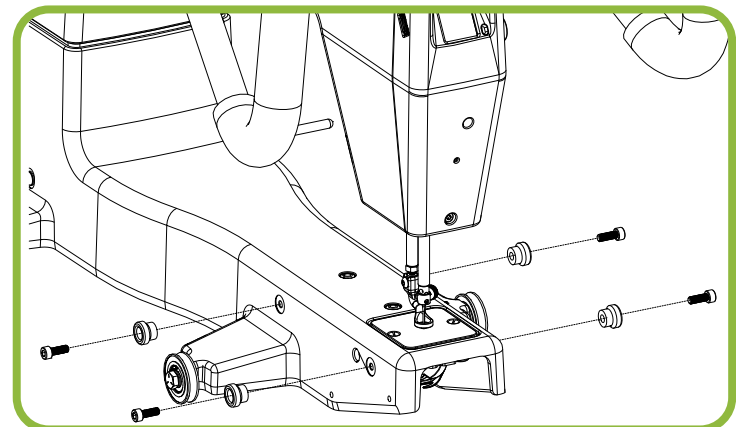
4mm hex tool to install the ruler base post screws (not included).



#### Install the ruler base posts

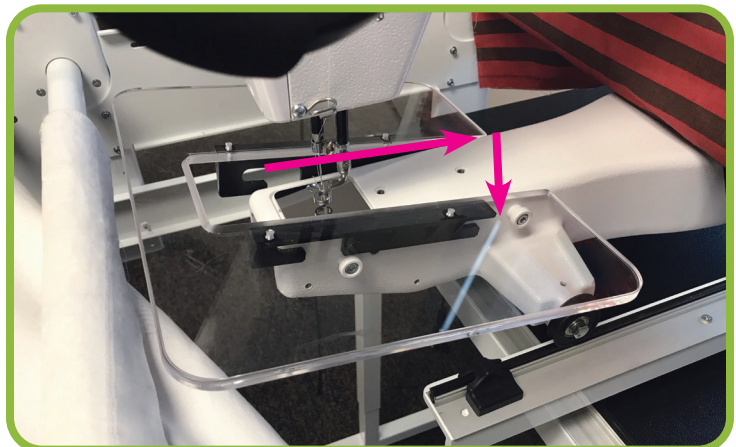
Install the four ruler base posts with the screws using a 4mm hex tool.

Tighten the screws firmly, however do not overtighten.



#### Install the ruler base onto the machine

Guide the large part of the latches back until they are between the front and rear ruler base posts. Then drop the ruler base down between the posts.



*Continue on back page*



**Handi Quilter**  
BY QUILTERS FOR QUILTERS

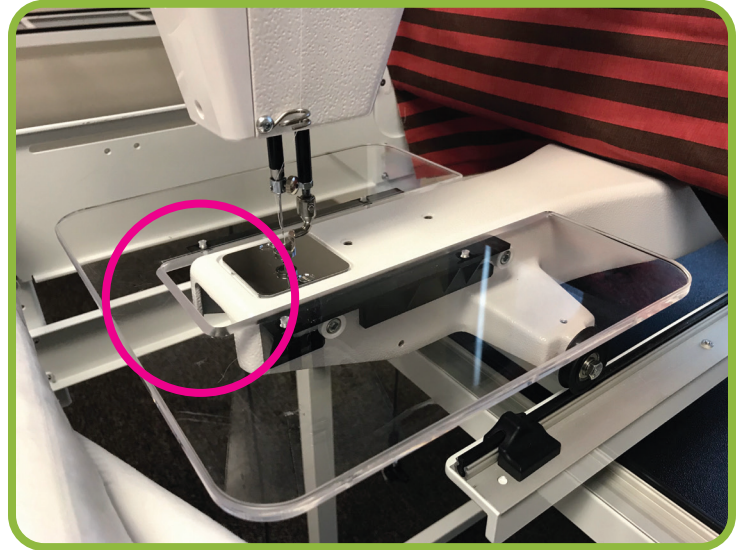
**bend. the. rules.**

[www.HandiQuilter.com](http://www.HandiQuilter.com) • 1-877-MY-QUILT (697-8458)

©Handi Quilter, Inc.

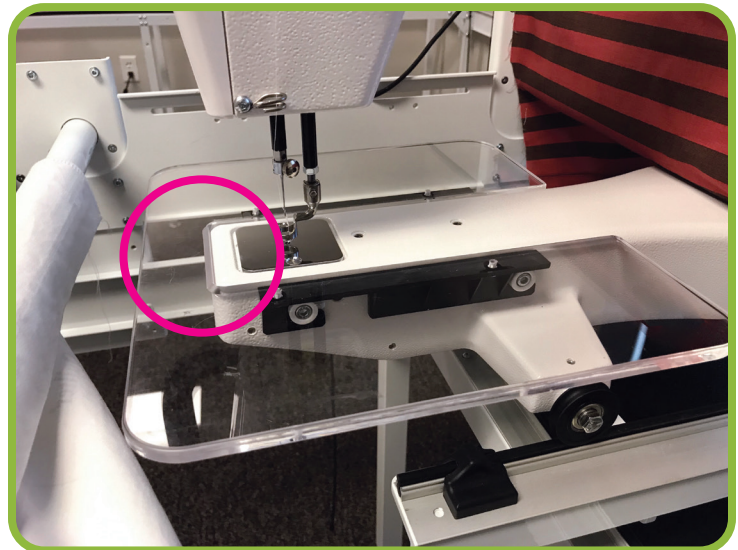
PART# HG00446 • August 2020

\$ **NOTE:** When the wide part of the latch is down between the two posts there will still be about a one-inch gap between the ruler base opening and the front of the machine.



Push the ruler base back until it is touching the machine or snaps into place.

\$ **NOTE:** To remove the ruler base: Pull the ruler base forward until it releases and then up and away from the machine.



**Handi Quilter**  
BY QUILTERS FOR QUILTERS

[www.HandiQuilter.com](http://www.HandiQuilter.com) • 1-877-MY-QUILT (697-8458)

©Handi Quilter, Inc.

PART# HG00446 • August 2020

**Off. You. Go.**