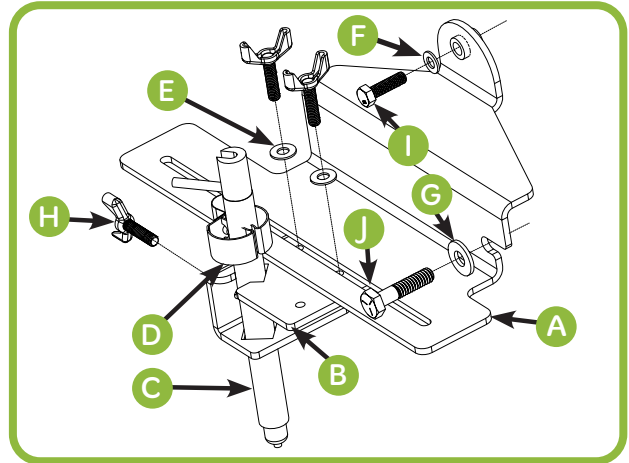


## Groovy Board Stylus & Mounting Bracket

Installation instructions for HQ Moxie™ longarm machine.

### KIT CONTENTS

- A** (1) Mounting Bracket - Groovy Board (HG00282)
- B** (1) Stylus Holder Bracket (HG00450)
- C** (1) Groovy Board Stylus (HG00287)
- D** (1) Laser Clamp for Stylus (HG00285)
- E** (2) Washer - #10 Flat ZN (QM10137)
- F** (1) Washer - M5 ZN (QM10250)
- G** (1) Washer - 1/4 SAE Flat ZN (QM10638)
- H** (3) Thumb Screw - #10-32 x3/4 (QM10507)
- I** (1) Bolt - M5x18 HX ZN (QM10164)
- J** (1) Bolt - 1/4 x 1 1/8 HX ZN (QN10165)



### INSTALLING THE MOUNTING BRACKET

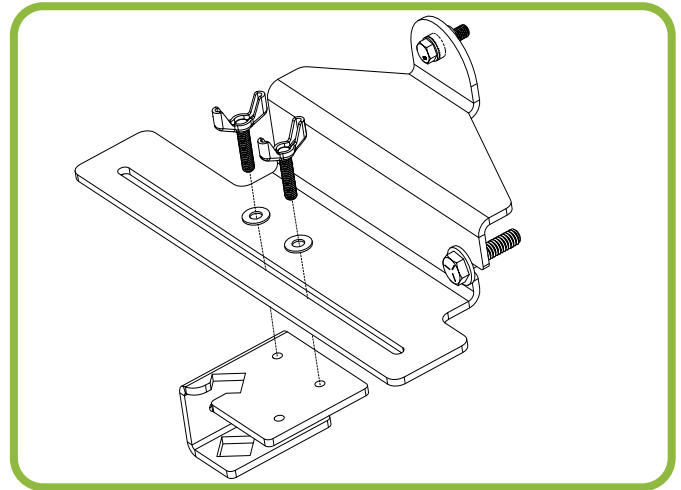
➡ **IMPORTANT:** Be careful not to lose the small washer on each side of the wheel. The washers are used to adjust the wheels to be the correct distance apart to run smoothly on the carriage tracks.

1. Remove the rear wheel on the right side (tension assembly side) of the machine. Discard the bolt. It will not be used again.
2. Remove laser and laser pin from machine, if already installed. The laser can be mounted with the included laser clamp, which is installed later.
3. Place the 1/4" washer onto the 1/4 X 1 1/8 HX ZN bolt (J), next to the bolt head.
4. Place the original small washers on each side of the wheel and insert the new bolt through the wheel.
5. Attach wheel to machine. Leave the bolt a little loose for now so the mounting bracket can slide behind bolt head and the 1/4" washer.
6. Slide the mounting bracket onto the wheel bolt until it is aligned with the hole on the side of the machine. Ensure that the bracket is between the 1/4" washer (G) and the original small washer (which should be touching the wheel).
7. Insert the M5x18 hex bolt (I) with M5 washer (F) into the upper hole as shown in first diagram.
8. Fully tighten the MX hex bolt (I) with a 10 mm wrench or an adjustable wrench (not included).
9. Fully tighten the 1/4 x 1 1/2 HX ZN bolt (J) with a 7/16" wrench or adjustable wrench.



## INSTALLING THE STYLUS HOLDER

1. Place the stylus holder under the mounting bracket and fasten it with two thumb screws (H) with #10 washers (E).

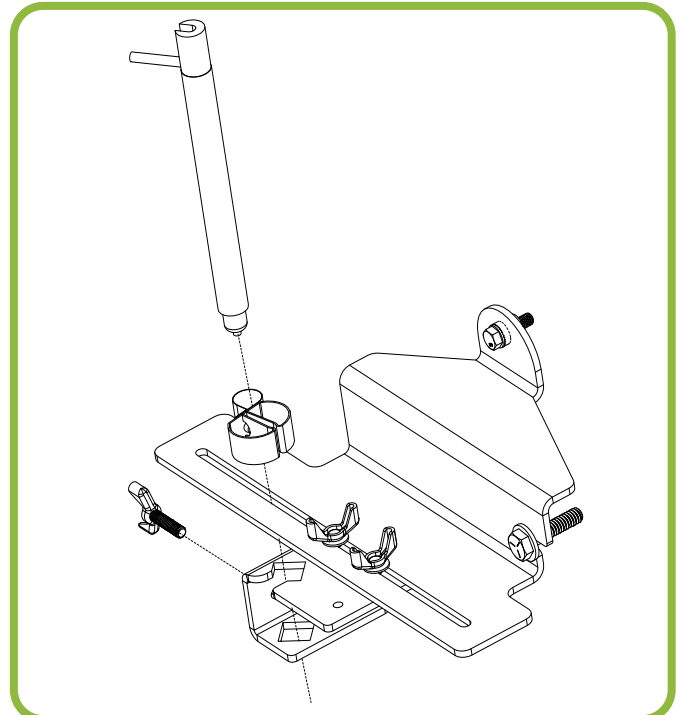


2. Start the remaining thumb screw (H) into the stylus holder, leaving it loose for now.

3. Place the stylus down through the round part of the laser clamp\*, and down through the stylus holder.

\*The laser clamp is needed only if you plan to use a laser point (included with the Quilt from the Back Kit) for stitching pantographs.

4. Tighten the thumb screw (H) onto the stylus.



5. The stylus has a center control (at the top) for moving the stylus tip up and down. The stylus holder can be adjusted up and down with the thumb screw until the proper height is achieved for using the stylus tip in the down position.

△ **CAUTION:** The tip of the stylus should not rub on the bottom of the groovy boards. Adjust the height of the stylus so that the tip is barely above the bottom. The sides of the tip ride in the groove to properly control the motion of the machine.

