

Stationary Longarm Table Extension

Assembly Instructions

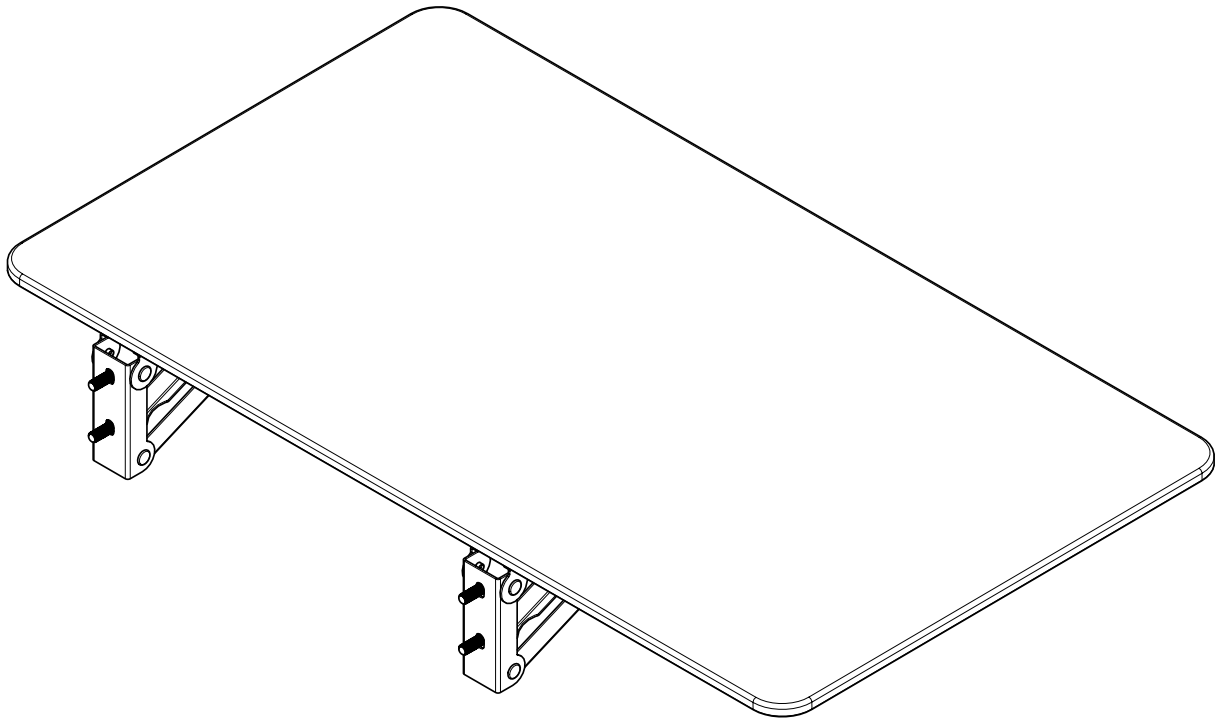


Table of Contents

- 2 What's Included, Replacement Parts, and Hardware
- 3 Installing Folding Mounting Brackets
- 4 Installing the Table Extension
- 5 Fine Adjustment of the Table Extension
- 6 Lowering the Table Extension

Introduction

The Stationary Longarm Table Extension can be used on the left, right, or both sides of the table to provide an extended work surface. The table extensions can be folded down when not in use to save space.

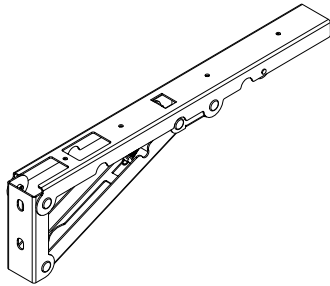
What's Included with the Stationary Longarm Table Extension Kit

Replacement Parts and Hardware

- (2) QT09000-702 Folding Mounting Brackets
- (1) QT09000-701 Table Extension
- (4) QM10959 Screw-M8x20 Flgd SKB ZN
- (8) QM00500-14 Screw-M4x6 PHP ZN
- (1) QM10289 Hex Key L 5mm
- (1) QM40229 Combo Wrench 10mm

Tools Needed

- Hex Key L 5mm (Provided)
- #2 Phillips Head Screwdriver (Not Provided)
- 10mm Combo Wrench (Provided)



Folding Mounting Bracket
(2) QT09000-702

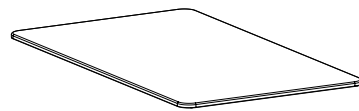
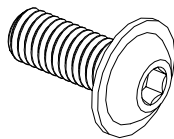
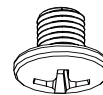


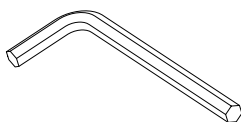
Table Extension
(1) QT09000-701



Screw-M8X20 Flgd SKB ZN
(4) QM10959



Screw-M4x6 PHP ZN
(8) QM00500-14



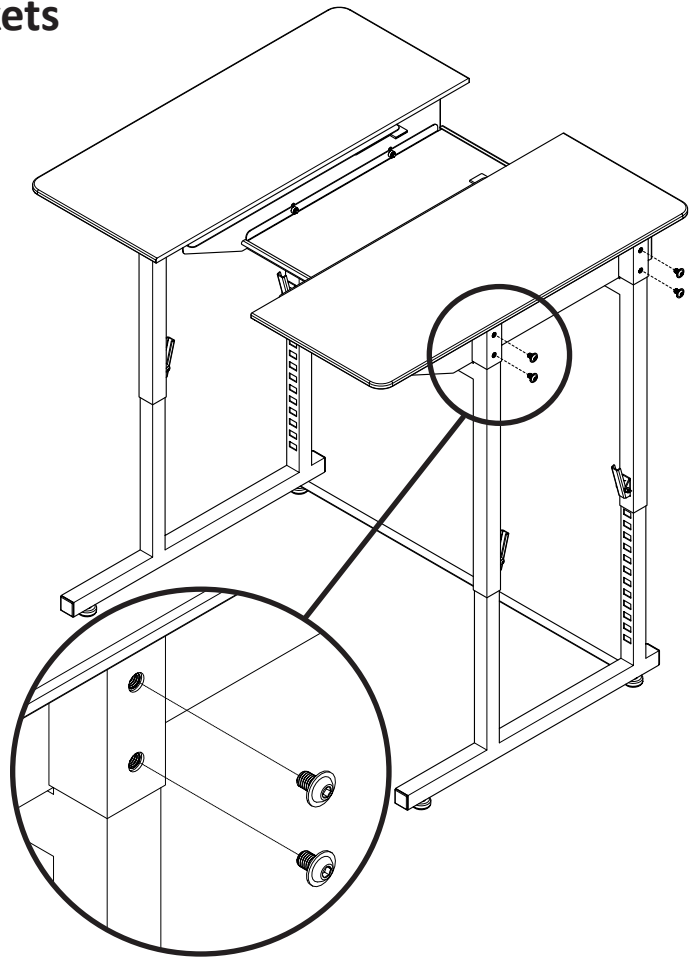
Hex Key L 5mm
(1) QM10289

NOT
PICTURED

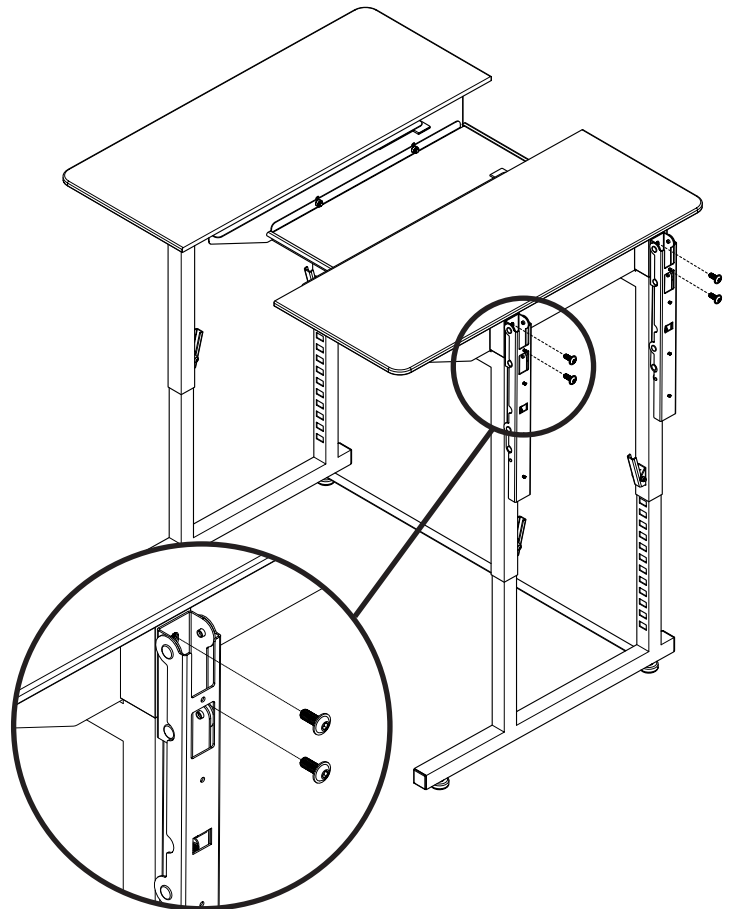
Combo Wrench 10mm
(1) QM40229

Installing Folding Mounting Brackets

1. Determine on which side of the table you want the extension.
2. Remove the two screws from the top of each leg on that side of the table.

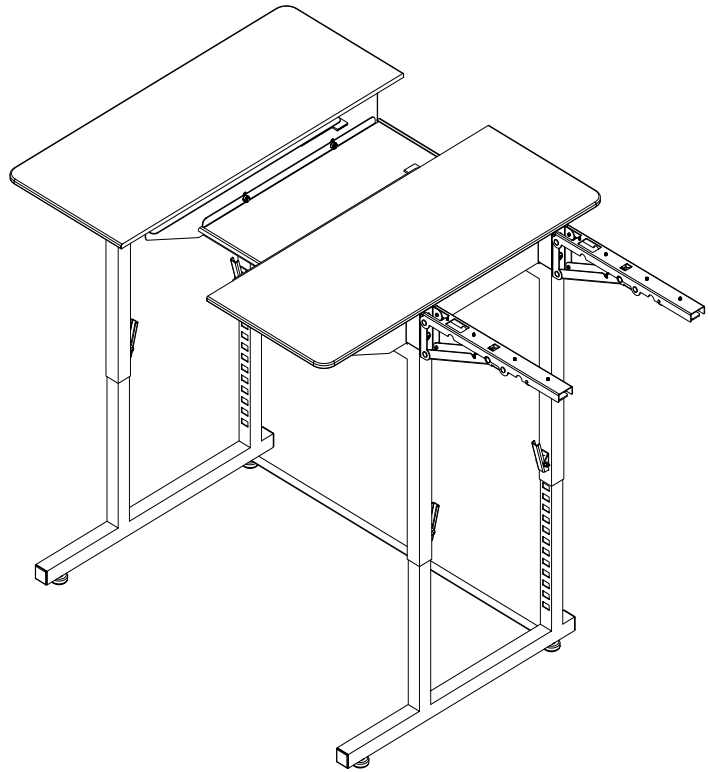


3. Place two M8x20 flanged head socketed screws through the bracket and into the table leg where you removed the screws earlier.
4. Use the M5 hex tool to start the screws. Tighten the screws until snug and then loosen them slightly for the height adjustment and extension alignment.
5. Repeat Steps 4 and 5 for the other bracket.

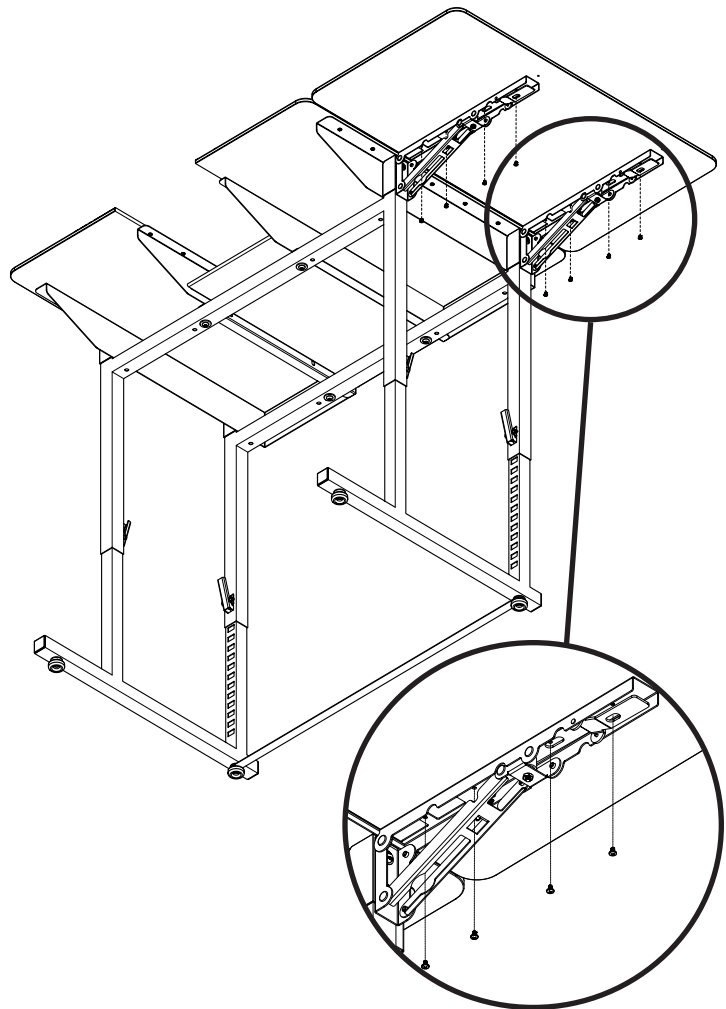


Installing the Table Extension

1. Raise both brackets to the up and locked position.

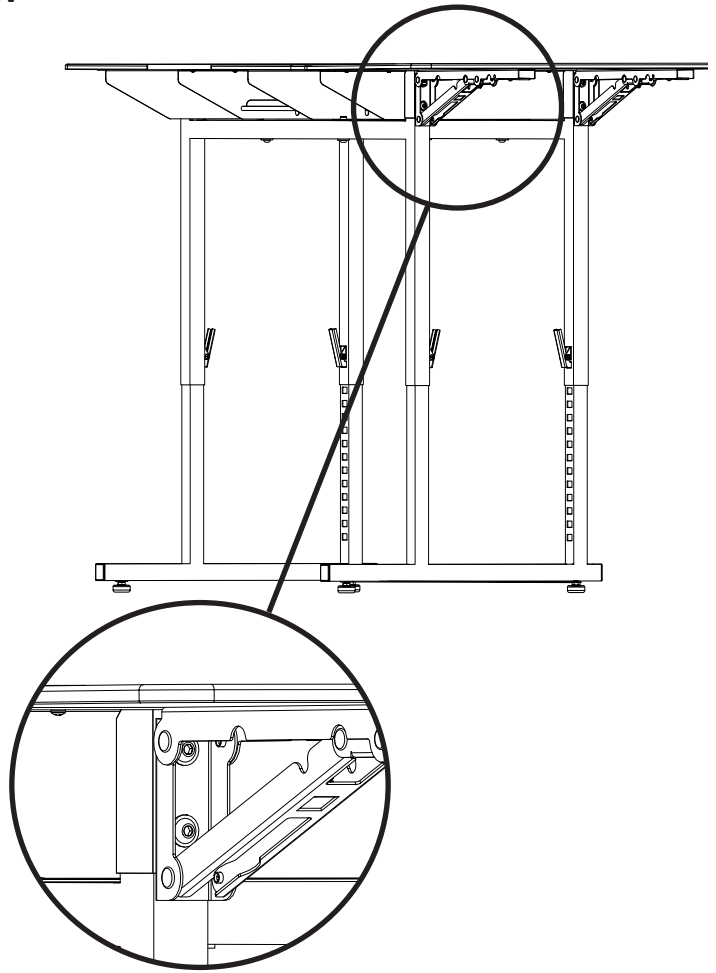


2. Place the table extension on the two brackets and align it front to back and side to side.
3. Align the pre-threaded holes in the table extension with the holes in the bracket and start the four M4x6 Phillips head screws into the top. **Do not tighten the screws at this stage.**
4. Repeat Step 9 for the other bracket.
5. With the four screws started in each bracket, firmly tighten all of the screws using a #2 Phillips head screwdriver.



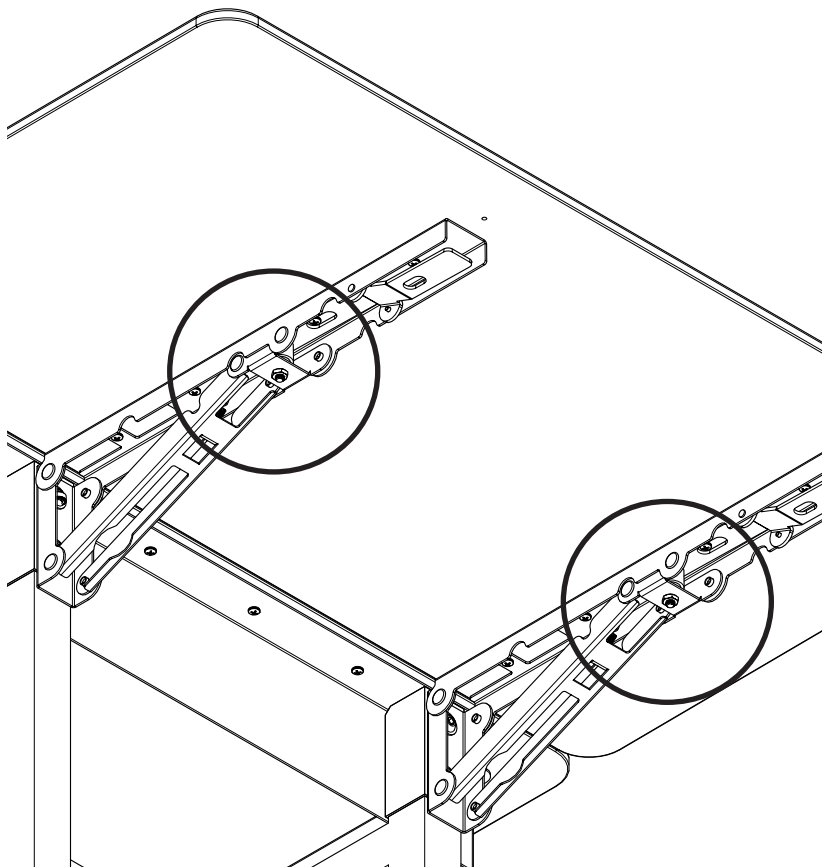
Fine Adjustment of Table Extension

1. Raise or lower the table extension to match the main table top height then fully tighten the two M8x20 screws on each bracket to set the position.



2. Each bracket has a rubber bumper for leveling the table extension. Loosen the jam nut with the 10mm wrench (provided). Adjust the rubber bumpers in or out as needed until the top is level. Tighten the jam nut to hold the position.

3. Check the height to make sure the inside edge of the table extension still matches the table height.



Lowering the Table Extension

1. To lower the table extension, gently lift the extension while squeezing the release lever on both brackets. Then lower the extension to the down/stored position.

