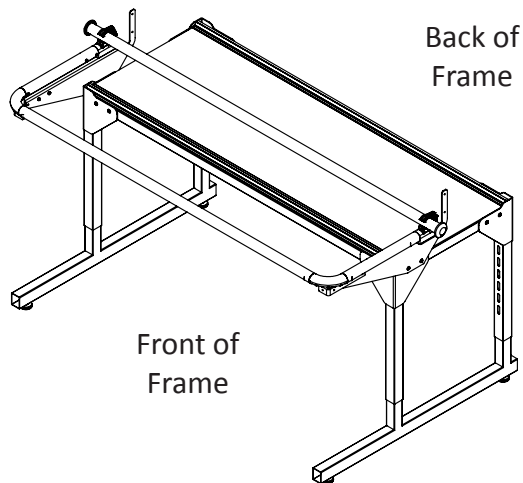


HQ Little Foot™ Frame

Assembly Instructions



Handi Quilter, Inc.
501 North 400 West
North Salt Lake, UT 84054
1-877-697-8458

© 2015 Handi Quilter, Inc.
www.HandiQuilter.com

April 19, 2022
Part # QF31001

Table of Contents

Frame Parts and Hardware	2
Table and Leg Assembly	4
Side Arm and Pole Assembly	7

Introduction

The HQ Little Foot frame can be set up to work with the HQ Moxie™ (a 15" quilting machine *see note), the HQ Simply Sixteen™ (a 16-inch quilting machine), the HQ Avanté® (an 18-inch quilting machine), or the HQ Amara™ (a 20" quilting machine). The frame enables you to use any of these stand-up quilting machine within a smaller footprint than the HQ Studio Frame, yet you can do quilts of any size. ***Note: the 15" Moxie requires an additional 4W Little Foot Track Upgrade Kit for Moxie part number QF00010-KIT.**

 **ONLINE:** For more information about setting up the HQ Little Foot frame, watch the video *Setting Up the HQ Little Foot frame* at: <http://www.handiquilter.com/videos/HQLittleFoot100>.

What's Included

Your HQ Little Foot Frame is delivered in two separate boxes. After opening, check immediately to see that you have received the items listed in the Parts and Hardware list found on pages 2 and 3.

Box 1:

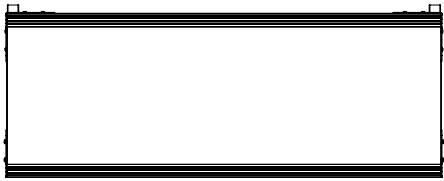
Includes side arms and supports, upper leg supports, HQ Little Foot frame assembly instructions, and all other parts and hardware.

Box 2:

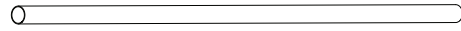
- 1 – Table top with tracks
- 2 – Lower legs
- 1 – Front pole (56")
- 1 – Rear pole (68")

April, 2022

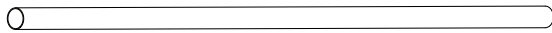
Frame Parts and Hardware



- 1 – Table section with plastic top (QF05300-300)
- 2 – 5' Track supports (QF05300-02)
- 4 – 5' Track insert (QF00001-05)
- 6 – Screw M6x12 w/17mm SWH (QF09318-303) (Box 2)



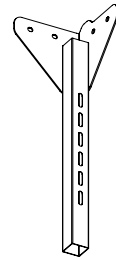
- 1 – Front pole (56") #QF10005 (Box 2)



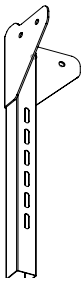
- 1 – Rear pole (68") #QF10009 (Box 2)



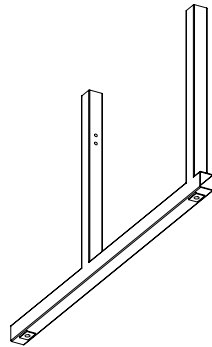
- 2 – Rear pole end caps #QF10011 (Box 1)



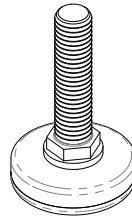
- 2 – Upper leg B #QF05300-403 * (Box 1)



- 2 – Upper leg A #QF05300-402 * (Box 1)



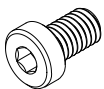
- 2 – Lower legs #QF05300-401 (Box 2)



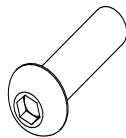
- 4 – Leveling foot #QF09318-108 (Box 1)



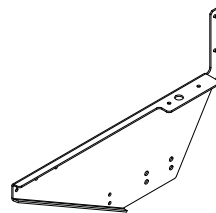
- 4 – Nylon washers #QF05300-157 (Box 1)



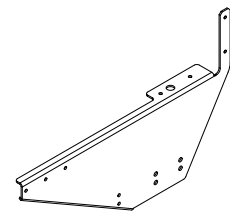
- 16 – M6 x 10mm socket cap screws #QF10006 (Box 1) Note: 1 each in 2 Assy Pole Ends already



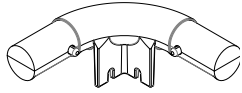
- 20 – M8 x 20mm socket button head cap screws (SBHCS) #QM10959 (Box 1)



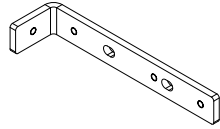
- 1 – Right side arm #QF10007 (Box 1)



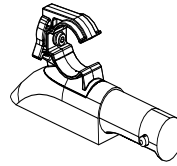
- 1 – Left side arm #QF10008 (Box 1)



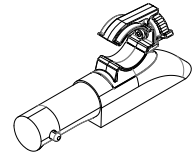
2 – Front pole corner connectors
#QF10003 (Box 1)



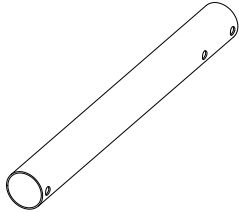
2 – L-brackets
#QF10010 (Box 1)



1 – Assy Pole End Right
#QF10042 (Box 1)



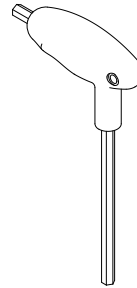
1 – Assy Pole End Left
#QF10043 (Box 1)



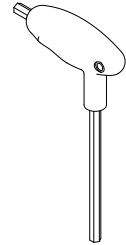
2 – Side arm pole
#QF10004 (Box 1)



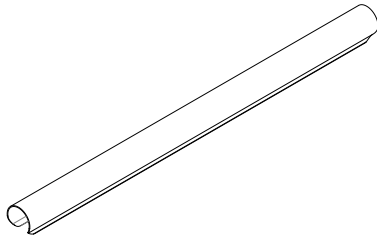
1 – 17/13 mm wrench
(for leveling feet)
#QF09318-114 (Box 1)



1 – 5 mm hex tool
#QF09318-113 (Box 1)



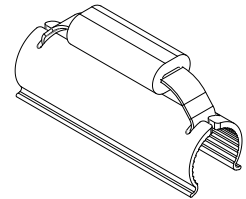
1 – 4 mm hex tool
#QF09318-112 (Box 1)



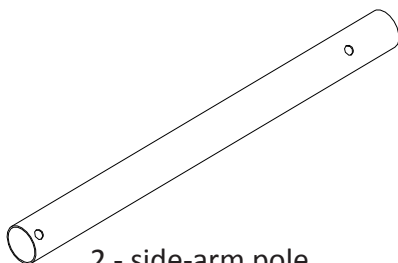
1 – HQ Super Quilt Clamp
#QF10018 (Box 1)



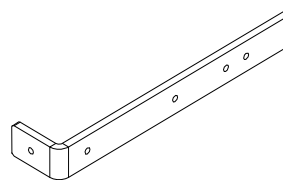
6 – Hold-Tight Clamps
3 small #HG10000
3 large #QF10014
(Box 1)



6 – Easy-Grasp
Quilt Clamps
#QF10013 (Box 1)



2 - side-arm pole
long for 20" machine
#QF10047 (Box 1)



2 - L-bracket
long for front pole assembly
#QF10048 (Box 1)

***Notes:**

1. The QF05300-403, Upper Leg B is used on the Left Front and the Right Rear Corners.
2. The QF05300-402, Upper Leg A is used on the Right Front and the Left Rear Corners.

Table and Leg Assembly

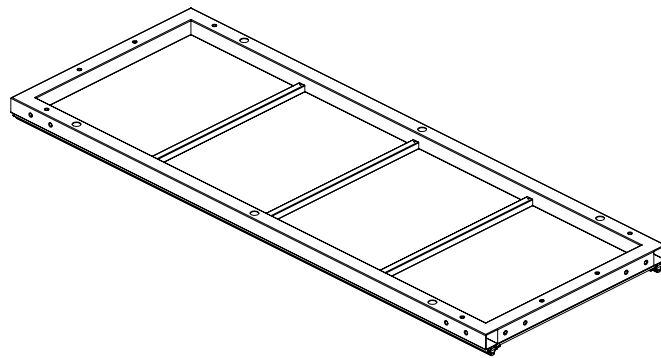
Parts Needed

- 1 - Table section
- 2 - Upper leg A
- 2 - Upper leg B
- 2 - Lower leg
- 4 - Leveling feet
- 20 - M8 x 20 mm socket button head cap screws
- 4 - Nylon washers
- 2 - L-brackets

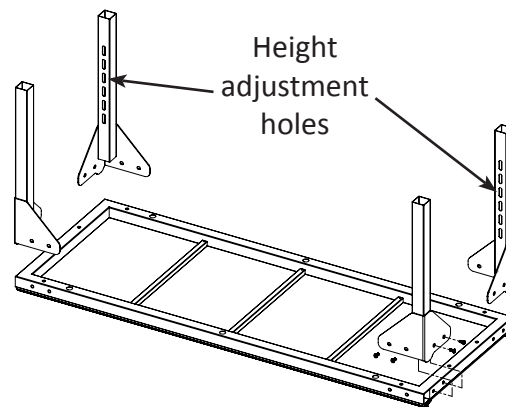
Tools Required

- 5 mm hex tool (provided)
- 17/13 mm wrench (provided)
- Spirit level (optional, not provided)

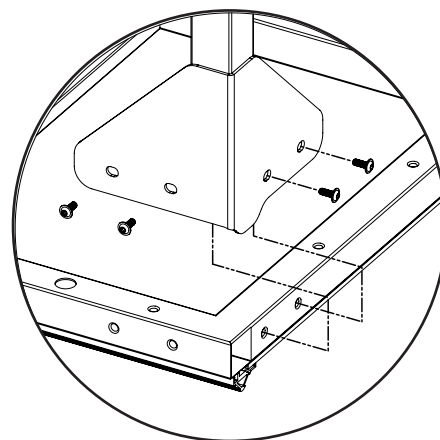
1. Place the table section face down onto a protective surface.



2. Attach the upper legs: Position the upper legs A and B so the height adjustment holes face each other across the short end of the table.

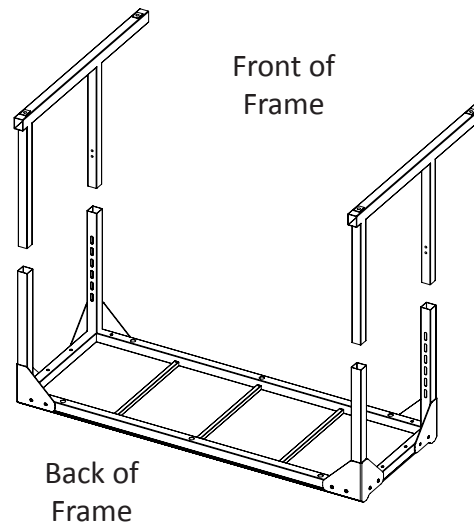


3. Attach each upper leg to the table with four (4) M8 x 20 mm socket button head cap screws (SBHCS) through the upper corner leg brackets into the holes on the sides of the table.

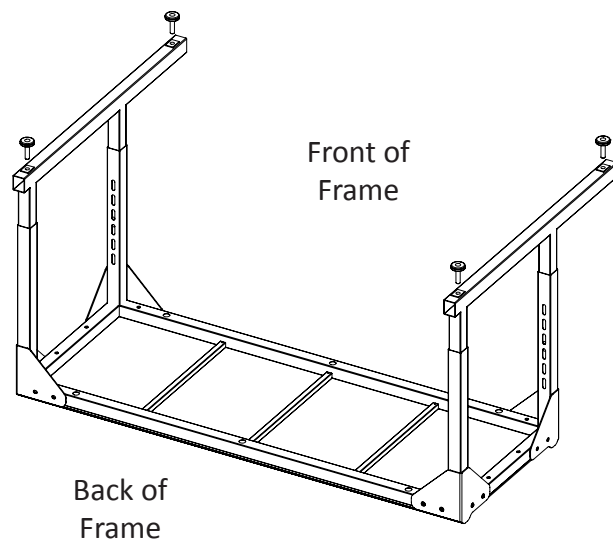


4. Tighten with the 5 mm hex tool. (Do not fully tighten the screws at this time as you will remove these screws to attach L-brackets later in the installation process.)

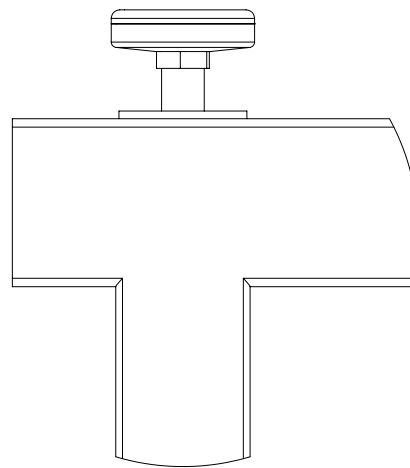
5. Insert the lower legs: Slide one lower leg onto the two upper corner legs on each end of the frame. The extended end of the lower leg faces what will be the front of the frame. Repeat for the opposite end of the frame, orienting the extended end of the lower leg the same way as the first leg.



6. Insert the leveling feet: Thread a leveling foot into each end of the leg assemblies.



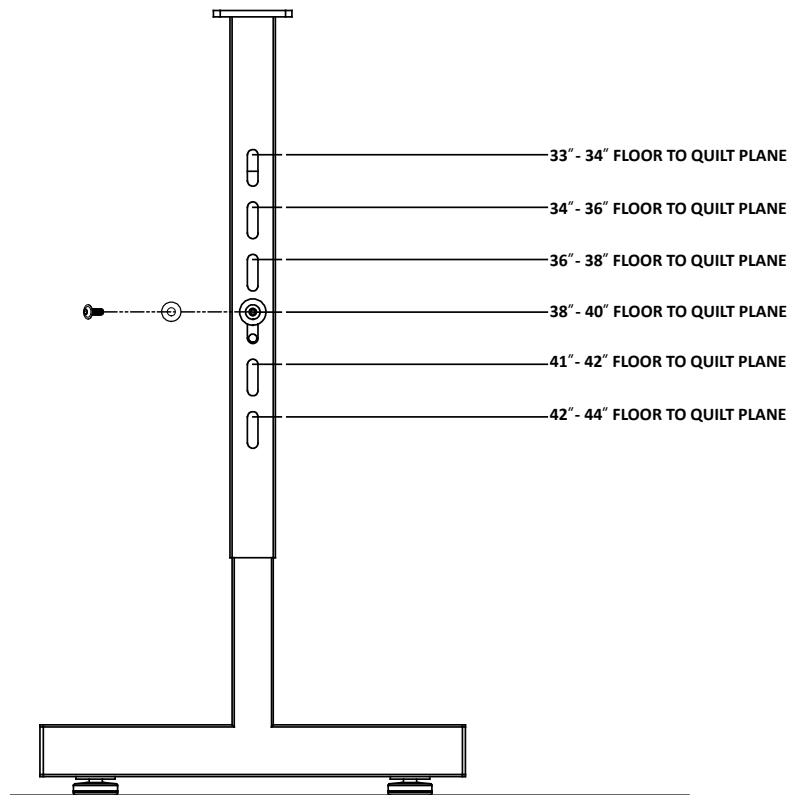
7. Use the 17/13 mm wrench to tighten the leveling foot, leaving about 1/2 inch of threads exposed to make it easier to level the frame later.



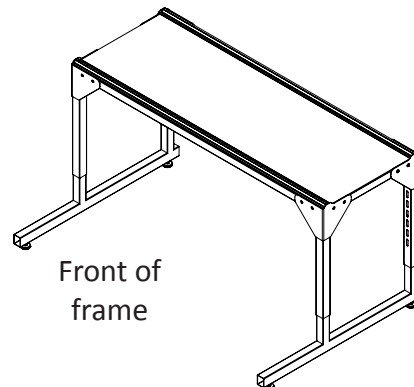
- Set the frame height: Decide on the preferred height of the frame. Use the image at the right. identify which height adjustment holes to use for securing the lower legs.

Place an M8 x 20mm SBHCS with a nylon washer into the same height setting on each of the corner legs. (The nylon washer protects the paint in case you change the height setting later.) Fully tighten the screw on each leg with the 5 mm hex tool.

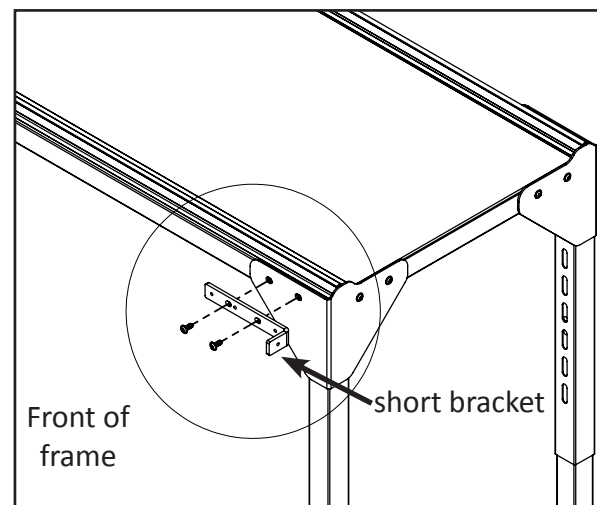
NOTE: Adjust the frame height so that when standing at the front of the machine with your hands on the front handle bars, your elbows are bent at a 90-degree angle.



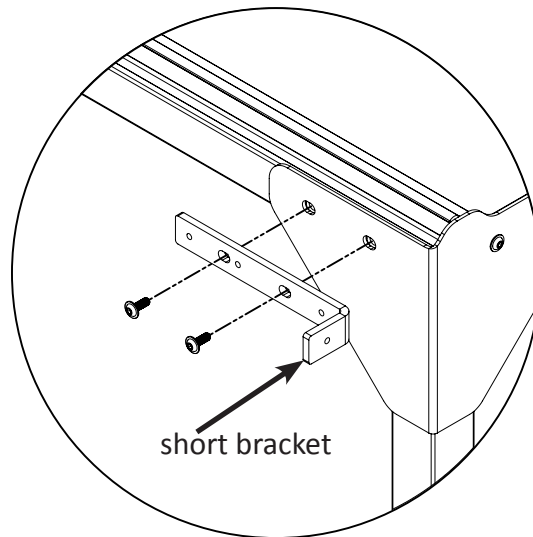
- Stand the frame upright: With the help of a second person, lift the frame into an upright position.



- Attach short L-brackets QF10010: With the 5 mm hex tool, loosen and then remove the screws from the front of an upper leg. (See the detail in the next figure.)



- Align the holes in one of the L-brackets over the leg holes on the long side of the table, replace the screws, and tighten. Repeat steps 10 and 11 with the other front upper leg.



Side Arm and Pole Assembly

Parts Needed

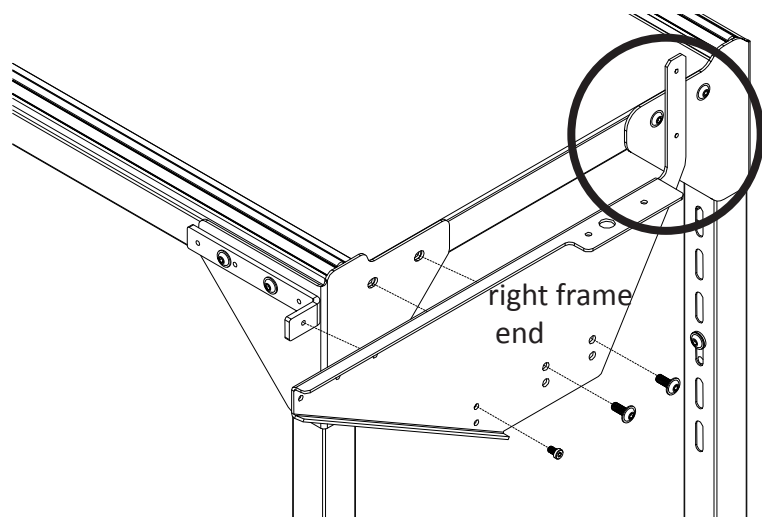
- 2 – Side arms
- 14 – M6 x 10mm socket cap screws
- 2 – L-brackets
- 1 – Left pole end assembly
- 1 – Right pole end assembly
- 2 – Side arm poles
- 2 – Front pole corner connectors
- 2 – Rear pole end caps
- 1 – Rear pole
- 1 – Front pole

***Note:** The top row of holes are used for 8W (8 wheel) carriages and the bottom row of holes are used for 4W Moxie or Simply carriages with an additional 4W track kit not provided with the Little Foot Frame.

Tools Required

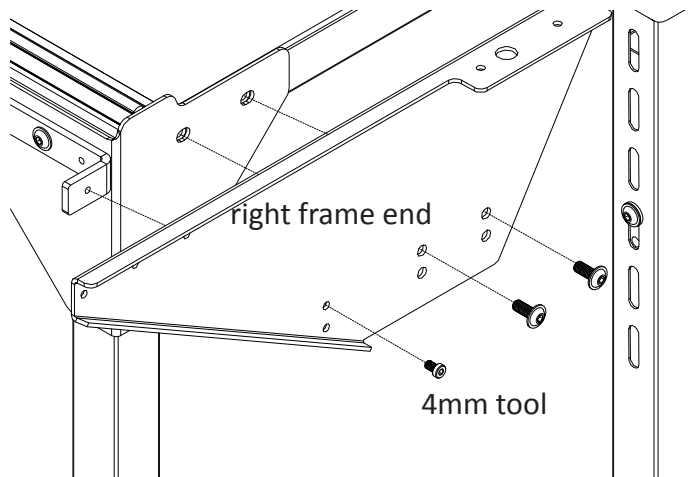
- 5 mm hex tool (provided)
- 4 mm hex tool (provided)
- 17/13 mm wrench (provided)

- Attach the right and left side arms: Use the 5 mm hex tool to remove the screws from the side of the right upper leg. *Using the top row of holes on the side arm, place a screw in the leftmost large hole in the left side arm and align with the leftmost hole in the upper leg. Partially tighten the screw for now to secure to the side of the frame. Repeat with the other large hole.



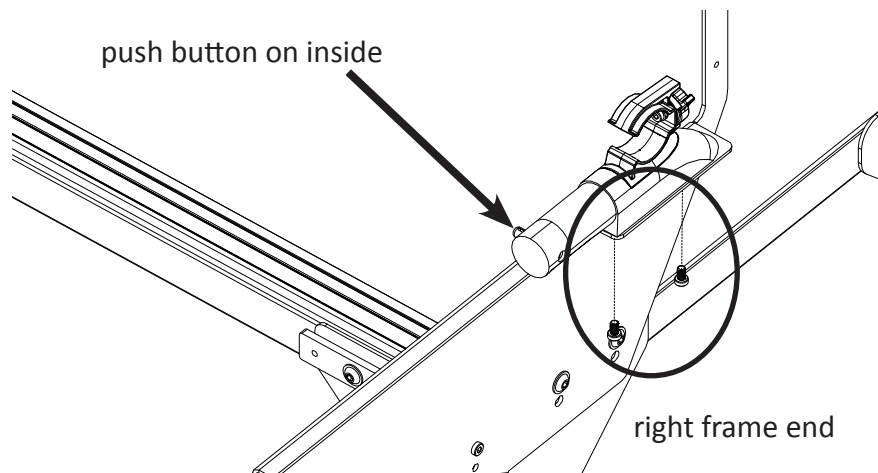
NOTE: Note the orientation of the side arms in the figure above. The vertical metal extension (circled) is positioned toward the back of the frame.

2. Use the 4 mm hex tool to screw one of the M6 x 10mm socket cap screws to secure the side arm to the L-bracket.
3. With both large screws and the small screw in place now tighten fully all three screws.



NOTE: If the L-bracket isn't flush with the side arm, you will need to loosen the screws that hold it to the front of the table and slide it until it is against the side arm. Then retighten the screws and secure the side arm to the L-bracket as described in step 2.

4. Repeat steps 1, 2 and 3 for the left arm. Check that all screws are fully tightened connecting the side arms to the frame.
5. Attach the left and right side arm pole end assemblies: Use the 4 mm hex tool and two (2) M6 x 10mm socket cap screws to attach the pole end assemblies to each side arm.

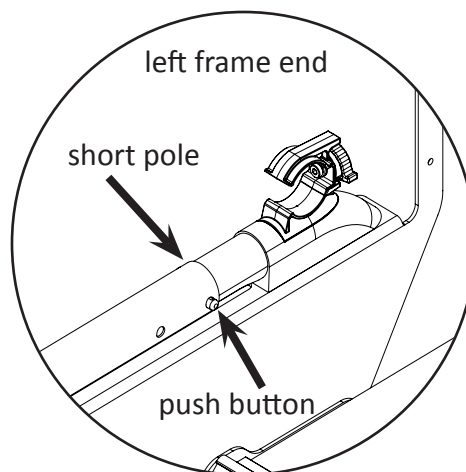


NOTE: Make sure you have identified the right and left pole end assemblies. When properly installed, the silver push button on pole end assembly will face the center of the frame.

6. Press in the push button on the pole end assembly and slide the pole onto it.

18-inch machines:

If you are setting up the HQ Little Foot frame for an 18-inch machine, slide on the Side Arm Poles such that the button snaps into the first hole (see arrow).

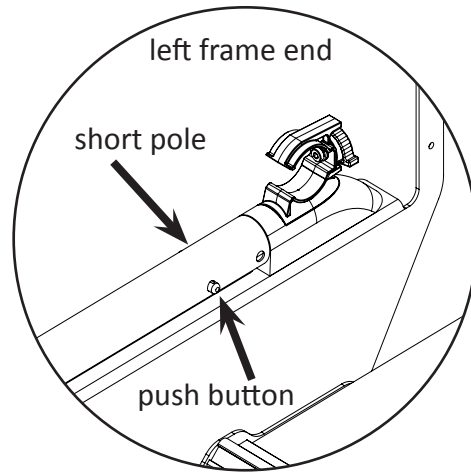


Set up for an 18-inch machine

15 or 16-inch machines:

If you are setting up the HQ Little Foot Frame for a 15 or 16-inch machine, make sure the button snaps into the second hole (see arrow).

Repeat with the other side of the frame.

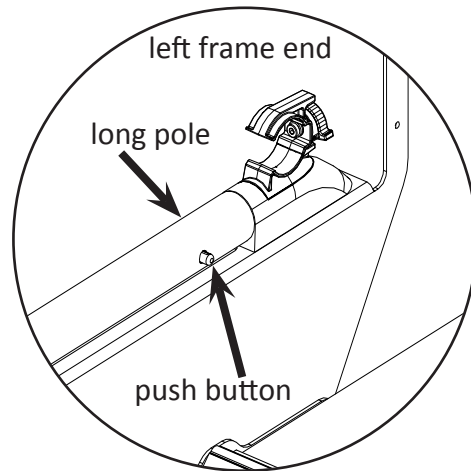


Set up for a 16-inch machine

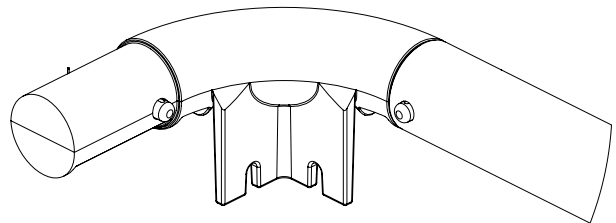
20-inch machines:

Repeat the steps above like on the 15 and 16-inch machine but use the longer side pole (QF10047)

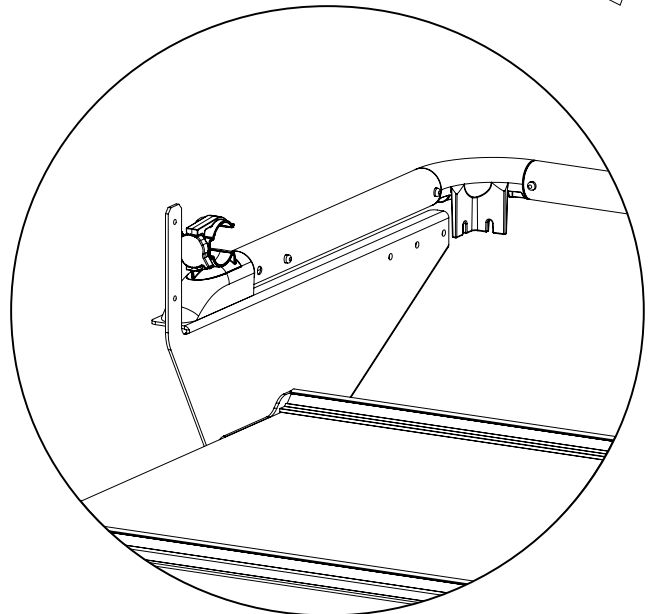
7. Assemble the front pole: Identify the front pole corner connectors. Press in the button on one of the front pole corner connectors and insert it into the left side of the front pole until the button snaps in place. Press in the button on the other front pole corner connector and insert it into the right side of the front pole until the button snaps in place.



Set up for 20-inch machine



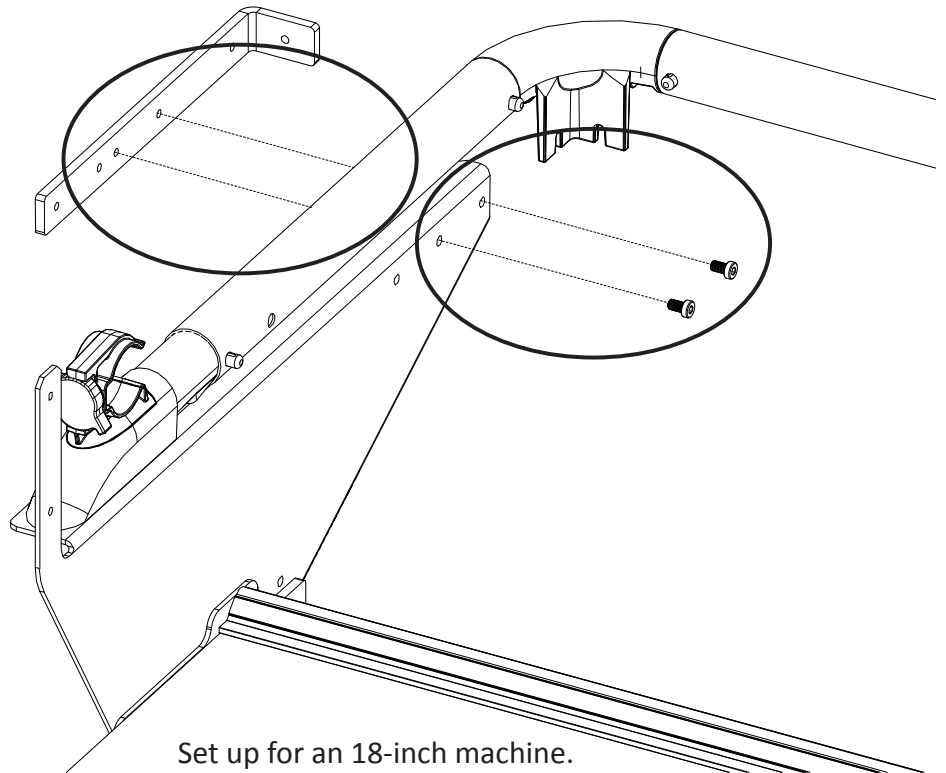
8. Attach the front pole assembly to the frame: Press in the button on the left side of the front pole assembly and insert the pole into the side arm poles until the button snaps in place. Repeat with the right side of the front pole assembly and the right side of the frame



9. Attach the two long L-brackets (QF10048): Insert two (2) M6 x 10mm socket cap screws into the holes on the inside of the side arm and use the 4 mm hex tool to tighten the screws to secure side arm to the L-bracket. Repeat on the other side of the frame.

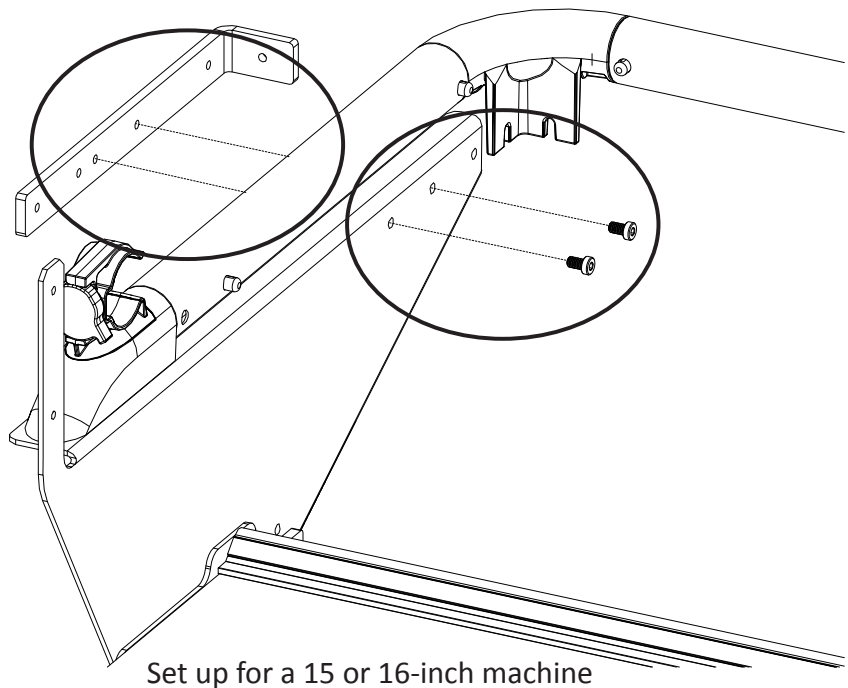
Set up for an 18-inch machine:

If you are setting up the frame for an 18-inch machine, align the holes in the L-bracket with the side arm holes as shown in the figure at the right (front two holes on the side arm and front two holes on the L-bracket).



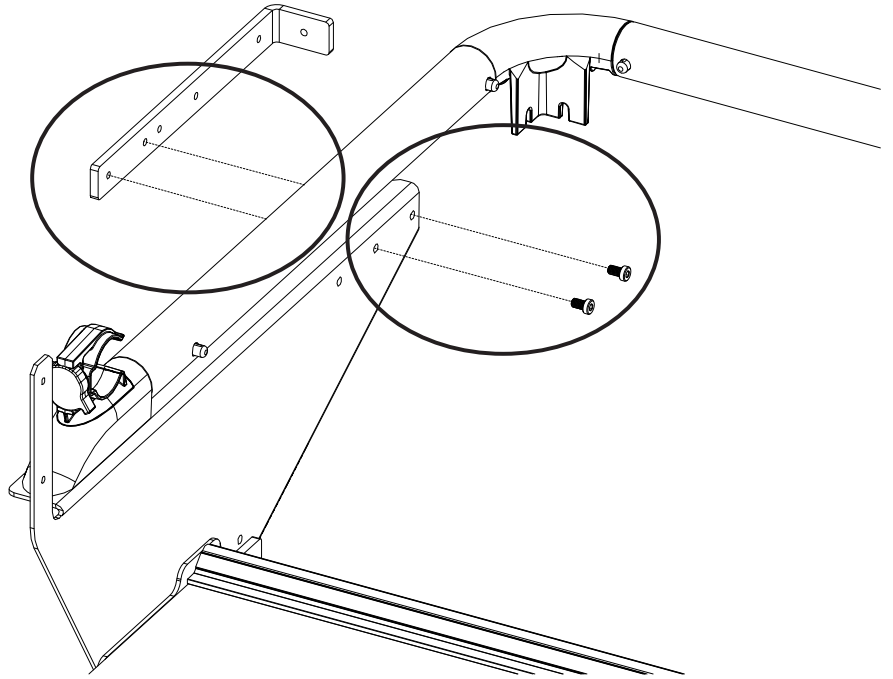
Set up for 15 or 16-inch machine:

If you are setting up the frame for a 15 or 16-inch machine, align the holes in the L-bracket with the side arm holes as shown in the figure at the right (back two holes on the side arm and front two holes on the L-bracket).

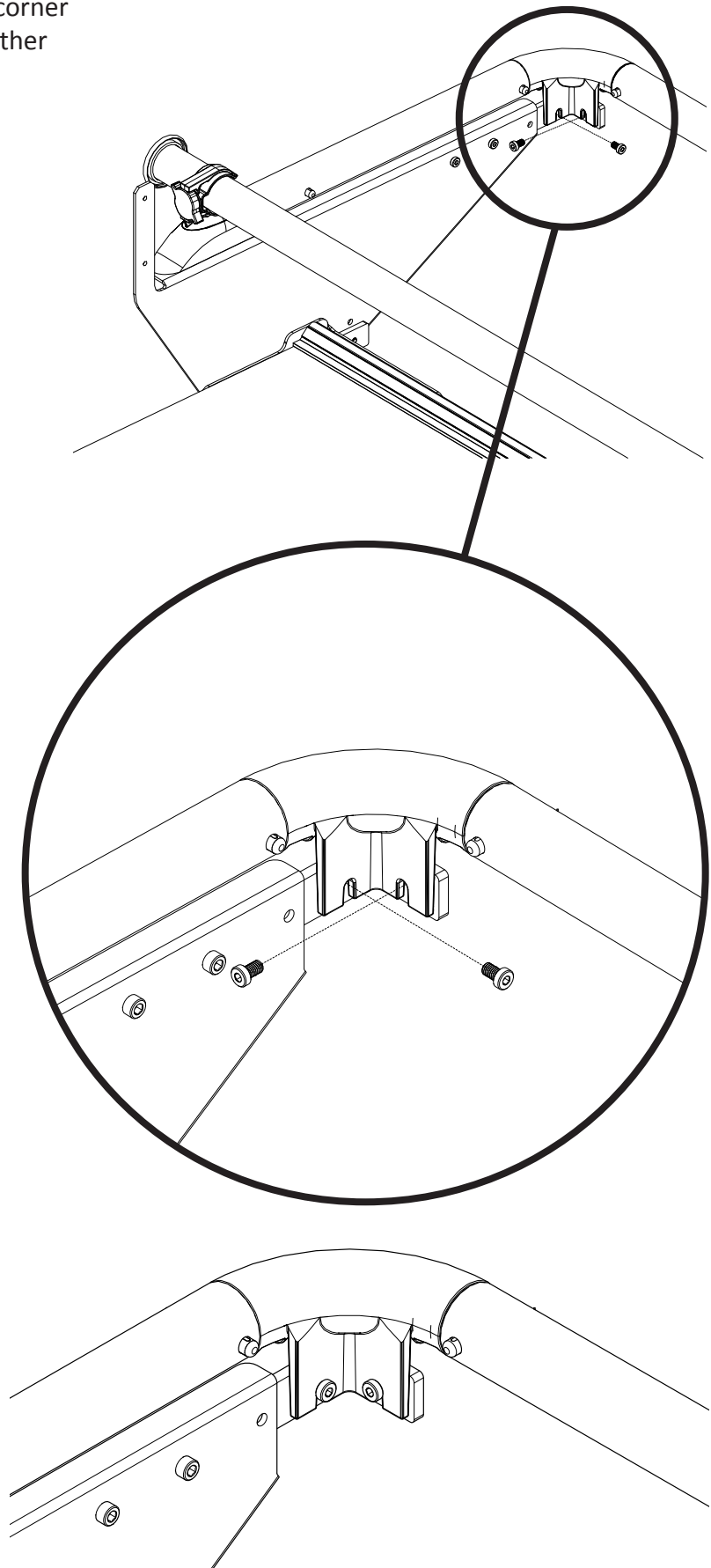


Set up for a 20-inch machine:

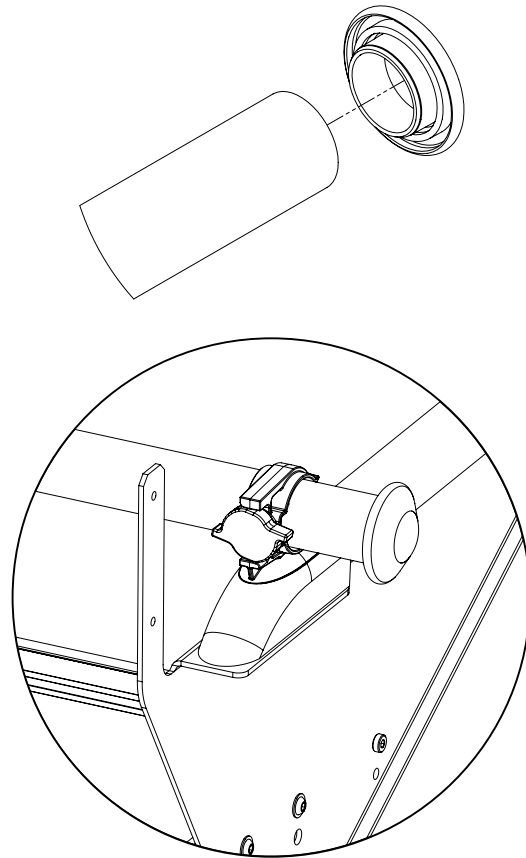
If you are setting up the frame for an 20-inch machine, align the holes in the L-bracket with the side arm holes as shown in the figure at the right (front two holes on the side arm and back two holes on the L-bracket).




10. Insert two (2) M6 x 10mm socket cap screws into the holes on the inside of the front pole corner connector and use the 4 mm hex tool to tighten the screws to secure the front pole corner connector to the L-bracket. Repeat on the other side of the frame.



11. Assemble and attach the rear pole: Insert a rear pole end cap into each end of the rear pole. Attach the rear pole to the side arm clamps. Open the clamps by loosening the knob on the back. Then snap in the pole and tighten the knobs as needed.

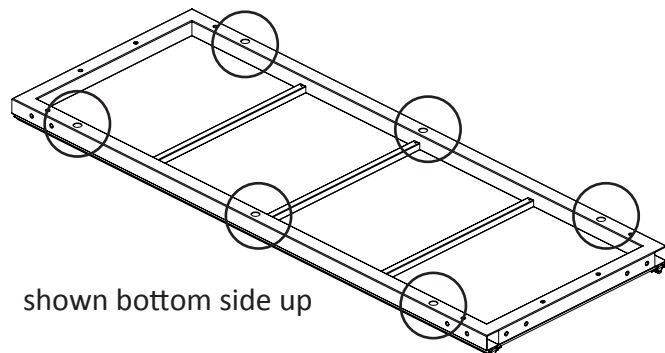


 **NOTE:** When you put the carriage and quilting machine onto the frame, you will need to remove the rear pole temporarily and then replace the pole, placing it through the throat space of the machine.


12. Tighten the tracks: Place the machine carriage on the tracks with the encoder toward the back of the frame.

13. Place the machine on the carriage. The weight of the machine will help push the tracks the correct distance apart from each other.

14. Slide the carriage on the tracks from side to side to fine tune the track position. To fully fasten the tracks to the table top, use the 4 mm hex tool to tighten the six (6) installed M6 x 10 mm Socket Cap Screws.



Access the three screws on each track from below the table top: one at the left, one in the center, and one at the right (circled above).

 **NOTE:** If the tracks are tight up against the table top, you might need to use the 4 mm hex tool to first loosen the three (3) installed M6 x 10 mm socket cap screws on the track supports: one at the left, one in the center, and one at the right.

15. Level the frame: Using a spirit level and the machine, check and adjust the frame top to be level in the place where it will be used, both front to back and side to side, by adjusting the leveling feet. If no spirit level is available, check the table with the machine on the carriage and the tracks. When the table is level, the machine should stay where you put it and not roll forward, backward, or side to side.
16. Double check the frame height: Adjust the frame height so that when standing at the front of the machine with your hands on the front handle bars, your elbows are bent at a 90-degree angle. Refer back to step six under Table and Leg Assembly. Remove the machine and carriage from the frame. Then have a helper lift the frame weight off the height adjusting screws so you can make a height adjustment to both sides of the frame.