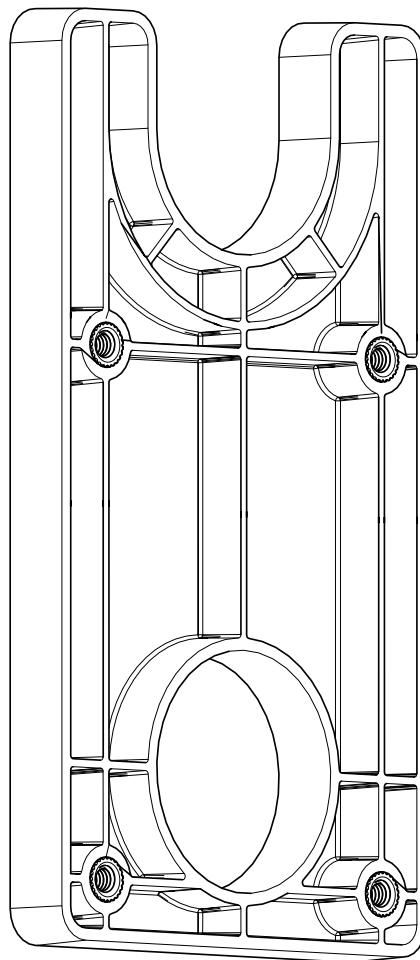


# Pole Cradle Kit - LC Frame

(QF01540)

## Assembly Instructions

01/26/23



# Parts List

## QF01540 Pole Cradle Kit-LC Frame Contents

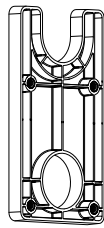
PART #	DESCRIPTION	QTY
QF01540-1	POLE SUPPORT AND CRADLE	2
QF01500-270	SCREW- M4 X 10 SKF ZN	4
QM13274	WASHER-M4 ZN	2
QF01500-261	SCREW-M5 X 16 SKC SHOULDER	1
QM13237	SCREW-M4 X 12 SKB ZN	3
QM10286	HEX KEY L 2.5 MM	1
QM10287	HEX KEY L 3MM	1

### Tools Needed:

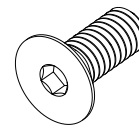
- Hex tool L 2.5mm - provided
- Hex Key L 3mm - provided



QM10287



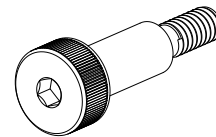
QF01540-1



QF01500-270



QM13274



QF01500-261



QM13237



QM10286

# Kit Assembly

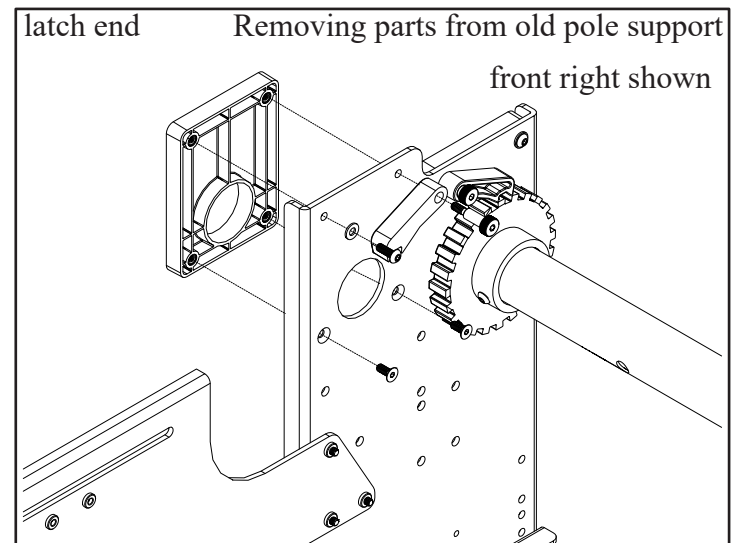
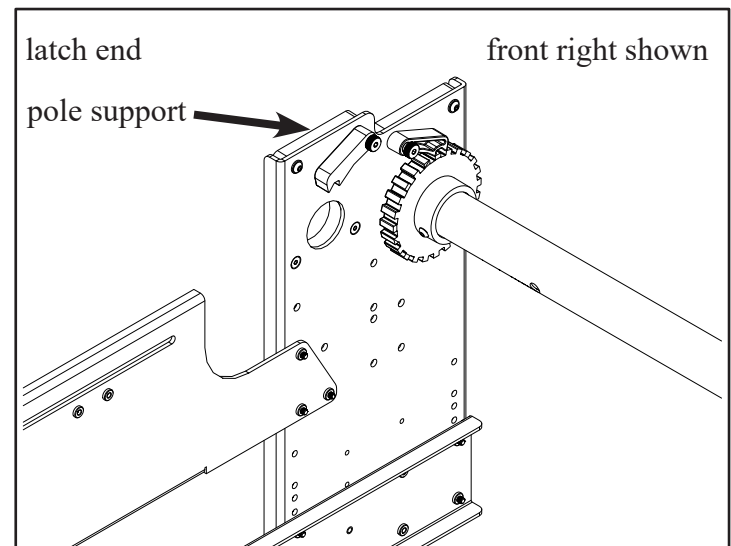
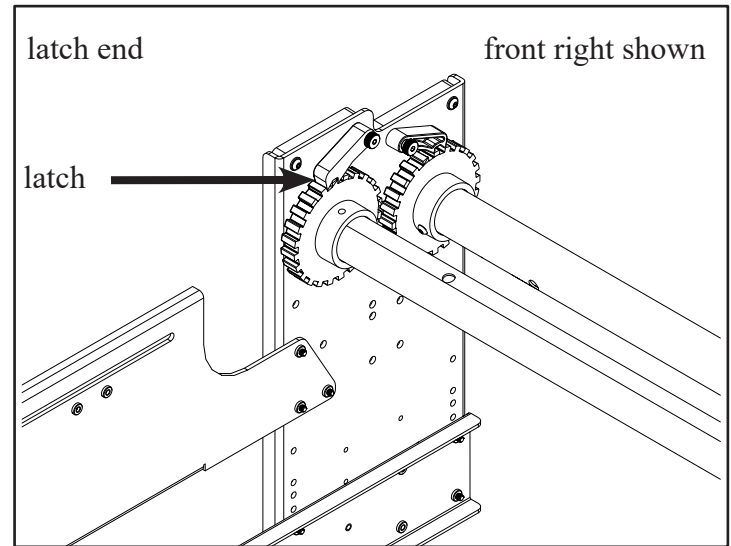
➡ **IMPORTANT:** Look at the second pole back from the front and take note of the position of the latch on the ratchet. Is it catching on the front or back? It will need to be in the same position when you replace the latch with the new Pole Support and Cradle.

✎ **NOTE:** The image at the right shows the system with latches on the right end of the frame in the high or standard view configuration. Your latches may have been installed on the left end instead.

1. Slide the second pole back from the front out of the pole support. This pole support will be replaced with a new pole support and cradle.

✎ **NOTE:** The same screws can be re-used; however, new screws are provided in case some get lost.

2. Remove the shoulder screw and latch with a 3mm hex key L.
3. Remove the button head screw and washer with a 2.5mm hex key L.
4. Remove the two flat head screws with a 2.5mm hex key L.
5. The regular pole support will now come off.



# Kit Assembly

6. Place the new pole support and cradle in the same location where you removed the old pole support with the cradle up and the pole hole aligned with the metal bracket.
7. Reinstall the shoulder screw and latch and tighten with a 3mm hex key L.
8. Reinstall the button head screw with washer and tighten with a 2.5mm hex key L.
9. Reinstall the two flat head screws and tighten with 2.5mm hex key L.
10. Remove the pole support on the non-latch end of the frame. It will not have a latch to locate.
11. Replace the pole support with the pole support and cradle and use the old or new screws as desired. Tighten using the tools as done on the other end of the frame.

