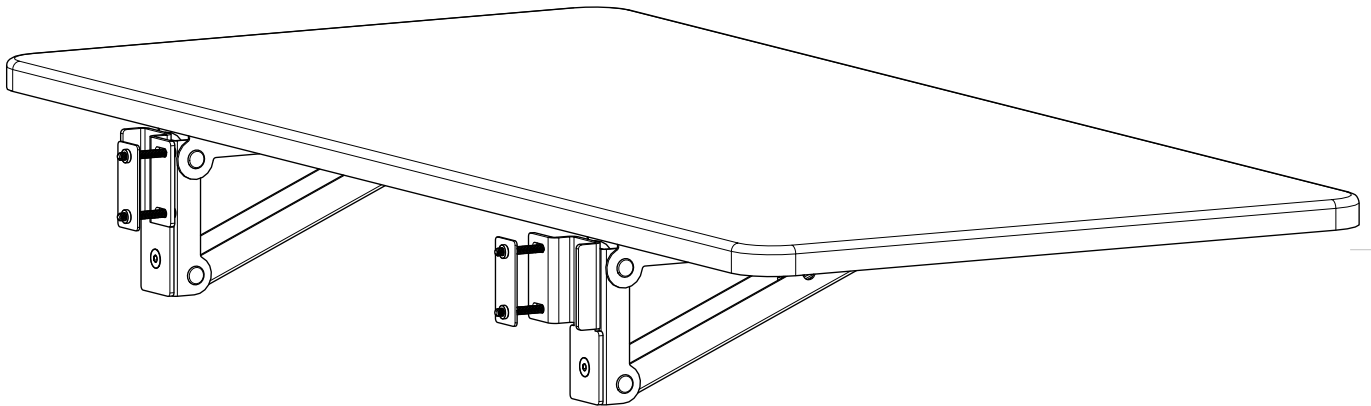


Lift Table Extension (QT09020)

Assembly Instructions

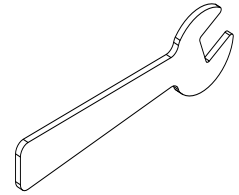
02/07/23



Parts List

QT09020 Lift Table Extension Contents

PART #	DESCRIPTION	QTY
QT09020-01	TABLETOP-SD LIFT EXTENSION	1
QT09020-04	NUT PLATE-SD LIFT EXTENSION	2
QT09020-06	SCREW-#10-24 x 1.5 PHP ZN	4
QT09020-08	BRACKET-FOLDING MOUNT, RIGHT	1
QT09020-09	BRACKET-FOLDING MOUNT, LEFT	1
QT09020-7	BRACKET-FOLDING EXTENSION LIFT	2
QM10137	WASHER #10	4
QM10380	SCREW-M6 X 10 SKF ZN	4
QM10382	SCREW-M3.5 X 16 WOOD	8
QM10288	HEX KEY L 4MM	1
QT09020-10	WRENCH-10MM OPEN	1



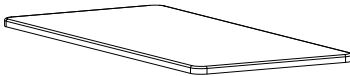
Part # QT09020-10



Part # QM10288

Tools Needed:

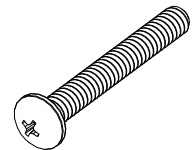
- #2 Phillips Screwdriver - not provided
- Hex Key L 4mm - provided
- 10mm or adjustable wrench - provided
- Straight edge - not provided



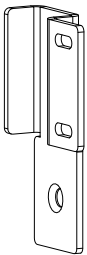
Part # QT09020-01



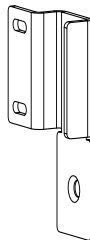
Part # QT09020-04



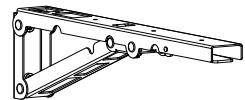
Part # QT09020-06



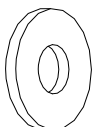
Part # QT09020-08



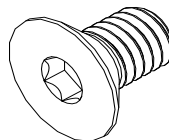
Part # QT09020-09



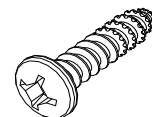
Part # QT09020-7



Part # QM10137



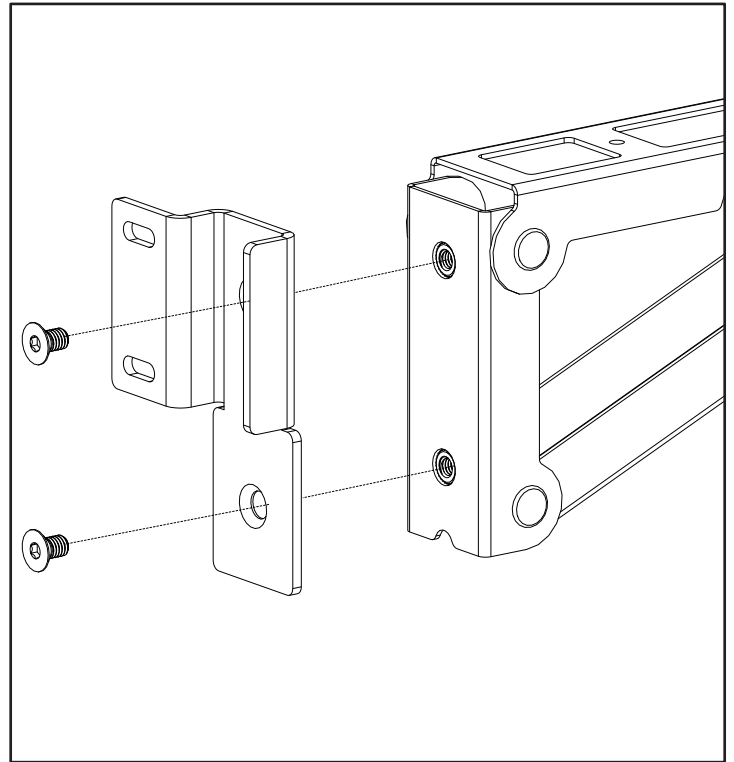
Part # QM10380



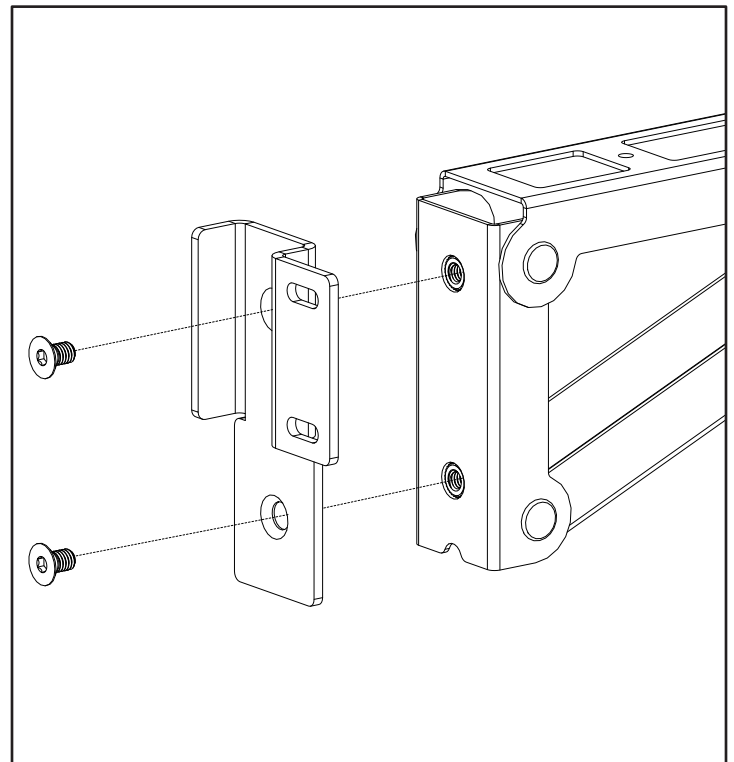
Part # QM10382

Extension Assembly

1. Attach the mount to the folding bracket for the left side using the two M6 flat head screws. Tighten the two screws firmly using the provided Hex Key L 4mm.




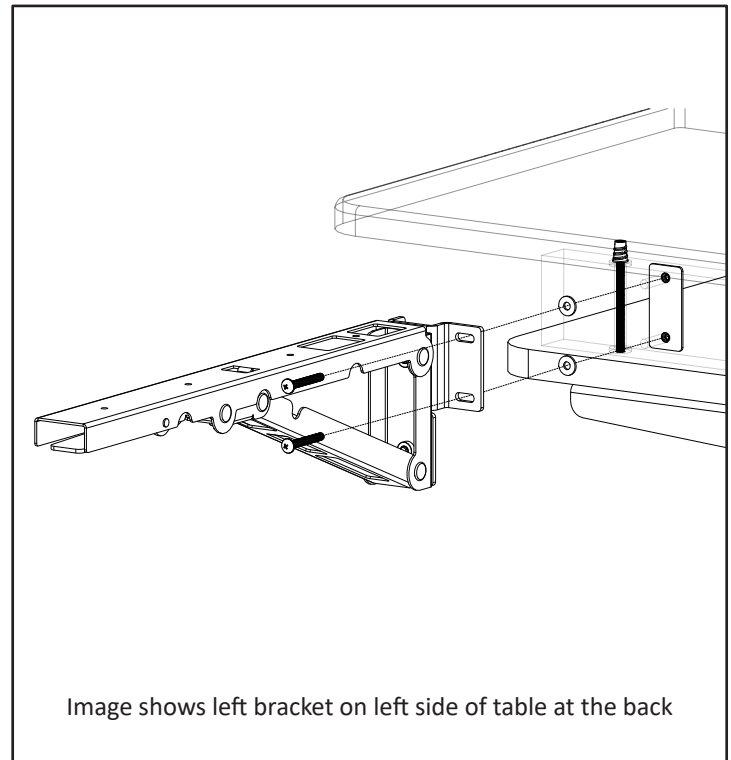
2. Repeat the previous Step but for the right side.




Extension Assembly - Continued

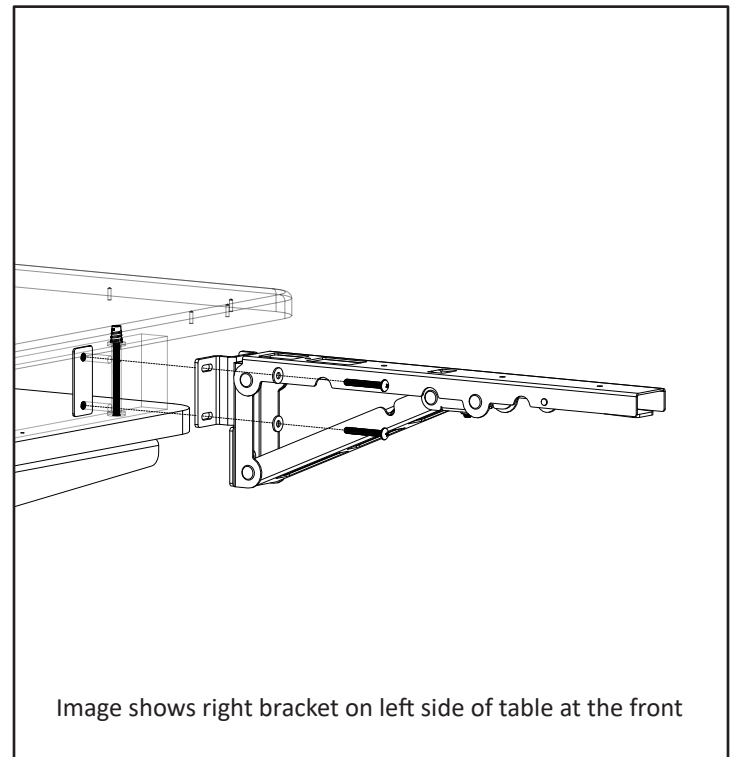
3. Place a nut plate on the back side of the wood spacer in the table top and attach the left folding bracket mount assembly to the table using two #10 X 1.5" screws with washers into the nut plate.
4. Tighten the screws with a #2 Phillips screwdriver.

 **NOTE:** Leave the screws a little loose for now. This will help align the table top screws with the pre-drilled holes later on.



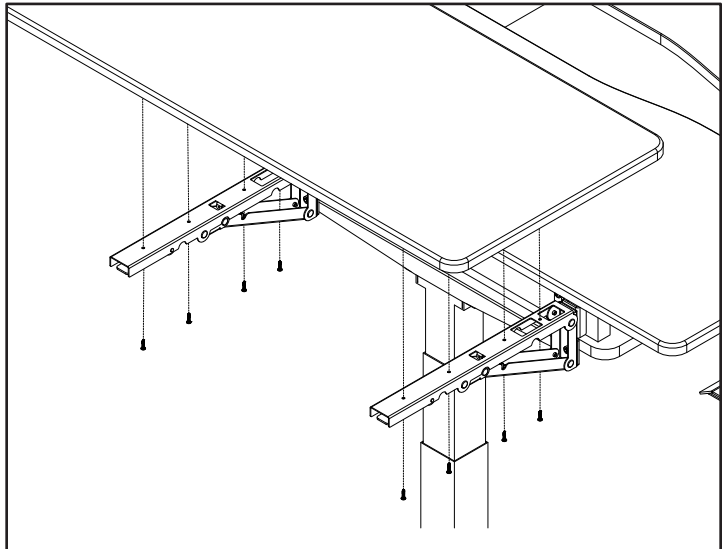
5. Repeat the previous two Steps on the right side folding bracket mount assembly.

 **IMPORTANT:** If there is an optional drawer on the side where you are mounting the table extension, the drawer bracket has threaded holes for the front mounting screws, therefore the nut plate will not be needed.

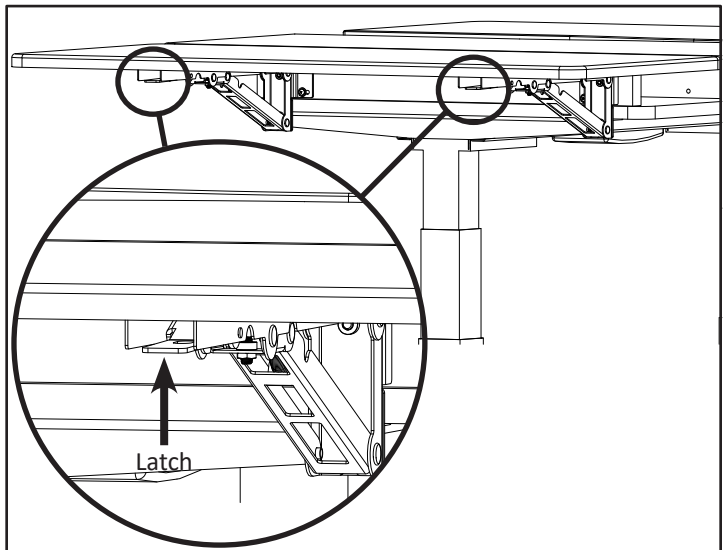


Extension Assembly - Continued

6. With the two brackets in the up position, place the table top onto the brackets and align the screw holes. Start a M3.5 X 16 wood screw into each hole using a #2 Phillips screwdriver. Each bracket has four screws.
7. Once the table top screws are started, fully tighten the #10 X 1.5" bracket screws left a little loose in Steps 4 and 5.
8. Fully tighten the 8 table top screws.



9. To lower the bracket lift up on the latch on both folding brackets and lower the extension carefully.



10. To level the extension, loosen the nut using a 10mm or adjustable wrench and turn the rubber bumper up or down as needed. It is very helpful to use a straight edge across the center of the table and along the extension to see if it needs to be raised or lowered. Tighten the nut when you reach the desired height.

