

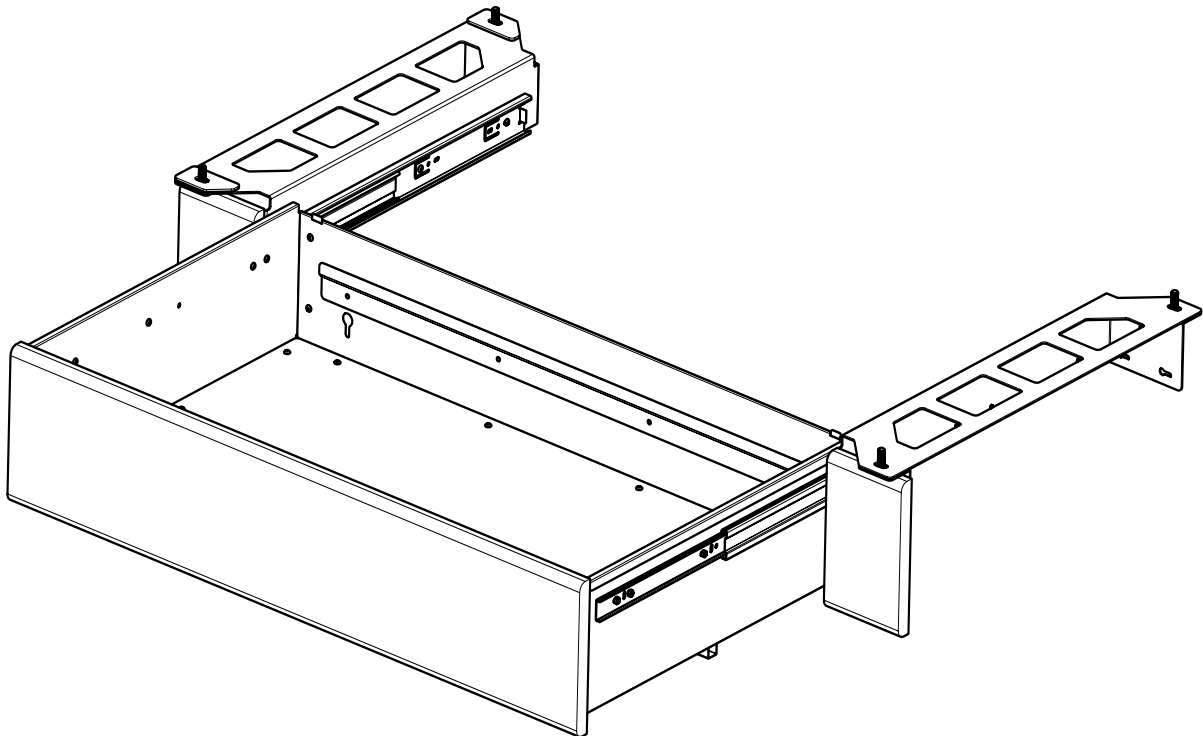


Handi Quilter
BY QUILTERS FOR QUILTERS

MY *Secret* DRAWER™

Assembly Instructions

HQ Studio3 Frame (HG01400 with HG01409 kit)



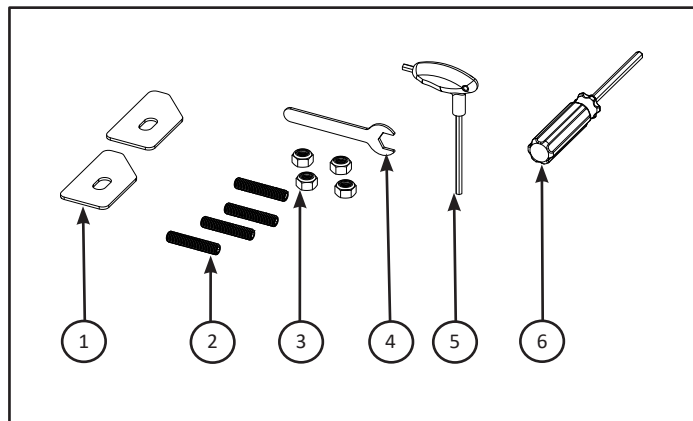
Parts Lists

My Secret Drawer For HQ Studio3 Frame, HG01400 (also requires HG01409)

PART #	DESCRIPTION	QTY
HG01400-02	DRAWER SIDE	2
HG01400-03	DRAWER REAR-4 FOOT	1
HG01400-05	DRAWER BOTTOM BOARD 4 FOOT	1
HG01400-06	DRAWER FRONT-4 FOOT	1
HG01400-07	BRACE DRAWER BOTTOM	1
HG01400-08	DRAWER SIDE FACE SMALL	2
HG01400-10	DRAWER SLIDE-SINGLE ACTION	2
HG01400-12	DRAWER MOUNTING SPACER <i>(not used on SF3)</i>	2
HG01400-01	BRACKET SHORT-STUDIO FRAME	2
QM10959	SCREW-M8 X 20 FLGD SKB ZN <i>(2 used on SF3)</i>	4
QM13237	SCREW-M4 X 12MM SKB ZN	16
HG01400-17	SCREW-M4 X 8MM SKB ZN	4
HG01400-18	SCREW-M4 X 6MM SKB ZN	8
HG01400-19	SCREW-PHP W 3.5 X 15MM ZN	17
QM10528	NUT-M4 SERRATED FLANGE ZN	4
HG01400-21	HEX DRIVER 2.5MM	1
HG01400-20	HEX WRENCH 7MM	1
QM10289	HEX KEY L 5MM	1

Secret Drawer Kit for Studio3 Frame HG01409

ITEM	PART #	DESCRIPTION	QTY
1	HG01400-23	DRAWER MOUNTING SPACER - SF3	2
2	QM10711	SCREW-M8 X 35 SKS FLAT ZN	4
3	QF09318-08	NUT M8 NYLOC ZN	4
4	HG01400-22	WRENCH-13MM OPEN END	1
5	QF09318-112	HEX KEY HANDLE 4MM	1
6	QM40415	SCREWDRIVER-HEX 5MM	1



Tools Needed:

- 2.5 mm hex driver (provided)
- #2 Phillips screwdriver (not provided)
- 7mm wrench (provided)
- 5mm L hex key (provided)

Assembly Suggestions:

- Protect the work surface and drawer by covering the work surface with a protective covering such as a large thick towel.
- Do not tighten screws until instructed to do so at the end of the drawer assembly process.

Section 1: Removing Drawer Slides from Drawer Sides

➤ **IMPORTANT:** The drawers are for straight leg frames. They are not compatible with curved leg frames.

✎ **NOTE:** A drawer may be installed at the front or rear of any four-foot table top section on these two frames.

➤ **IMPORTANT:** The drawer slides are lubricated to help them slide smoothly. Take care while handling the sides and slides, so as to not transfer the lubricant to other surfaces or clothing.

ITEM	PART #	DESCRIPTION	QTY
1	HG01400-02	DRAWER SIDE	2
2	HG01400-10	DRAWER SLIDE-SINGLE ACTION	2

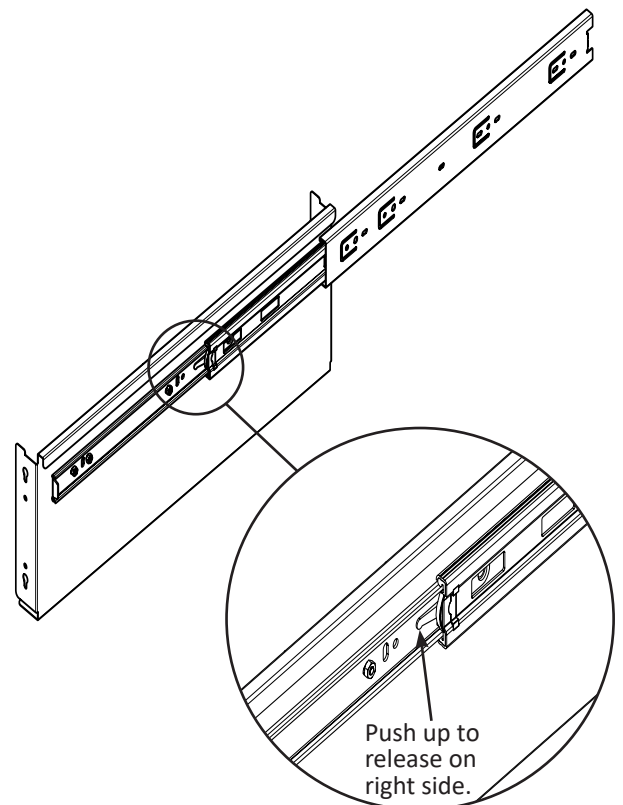
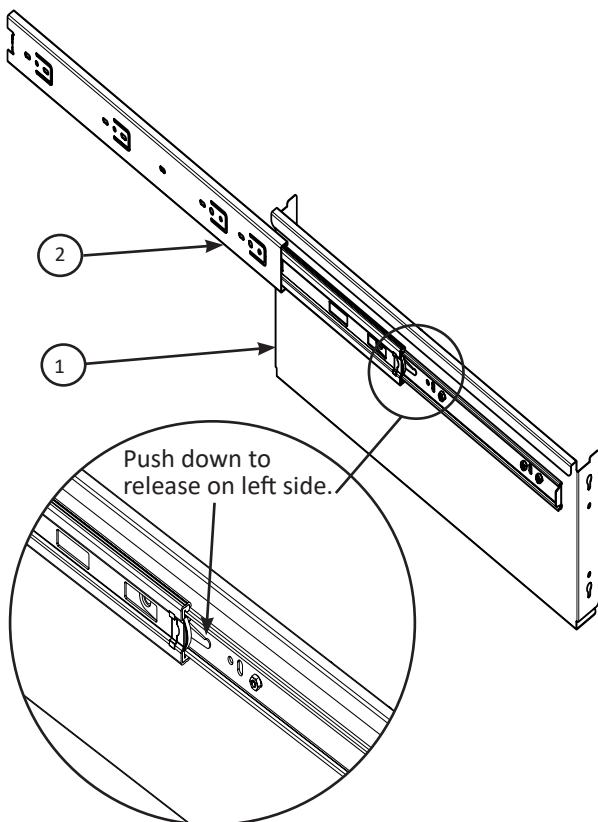
Step 1: Locate the two drawer sides (item 1) with slides (item 2).

Step 2: Extend the slide all the way out.


Step 3: Locate the little black lever near the center of the small section of the slide. You will either push up or down on the latch as shown in diagram below.

Step 4: Remove the slide by pulling the larger section of the slide away from the smaller inside section. The small slide section with black latch will remain attached to the drawer side.

Step 5: Repeat Steps 1-4 for the other drawer side.




Section 2: Drawer Slides to Bracket Assembly

 **NOTE:** The drawer can be mounted on any four foot frame section of the frame. The drawer can open one way, either to the front or to the rear of the frame.


HG-01400 My Secret Drawer, For Studio Frame


Step 1: Determine the location and direction of the drawer to be mounted. In these instructions the drawer is shown mounted at one end of the frame, with the front of the drawer to the front of the frame.

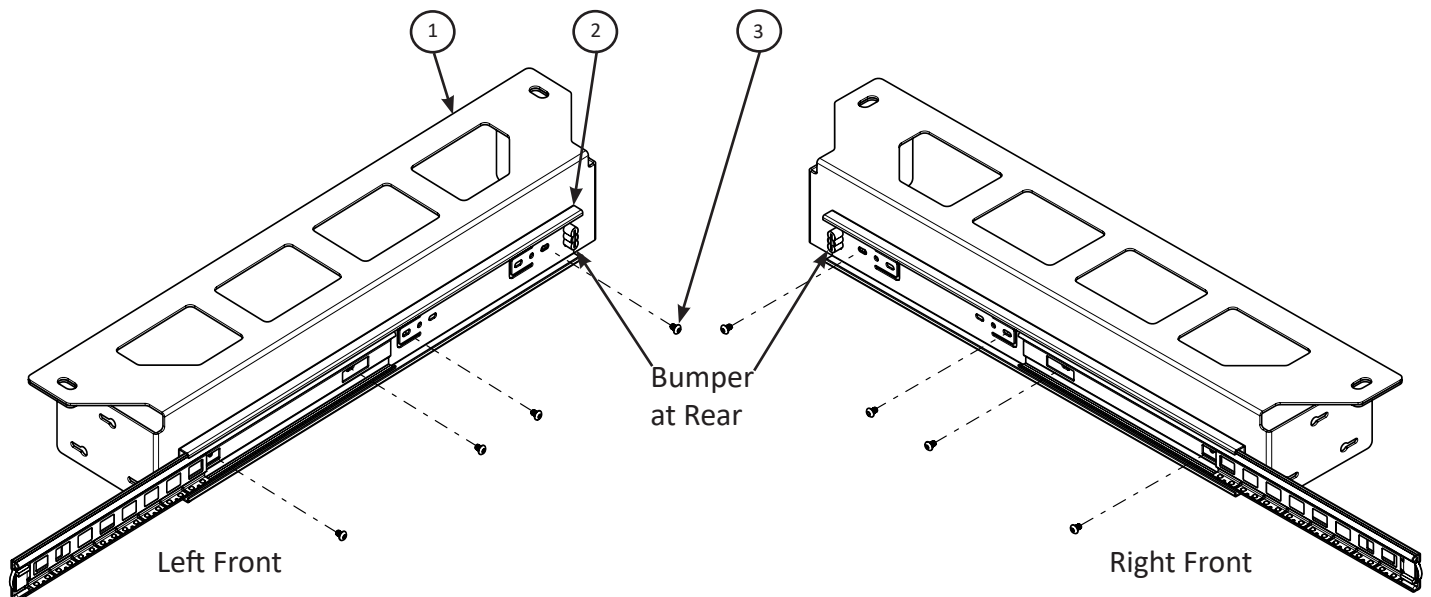
ITEM	PART #	DESCRIPTION	QTY
1	HG01400-01	BRACKET SHORT-STUDIO FRAME	2
2	HG01400-10	DRAWER SLIDE- SINGLE ACTION	2
3	HG01400-18	SCREW-M4 X 6MM SKB ZN	8

 **NOTE:** The small gray bumper on the largest part of the drawer slide, goes to the back and the black guide goes to the front of the drawer.

Step 2: Orient the parts as shown in the image at bottom left. Install the drawer slide (item 2) to the mounting bracket (item 1) with four screws (item 3).

 **NOTE:** Move the two parts of the drawer slide as needed to access all four threaded holes to insert the screws.

 **Step 3:** Orient the part as shown in the image at bottom right. Repeat Step 2 for the other bracket.



Section 3: Spacer to Drawer Bracket - (Use the spacers from the HG01409 kit for Studio 3)

NOTE: The HG01409 kit for Studio3 frame includes spacers with sticky tape for the inside bracket when the drawer is mounted on either end of the frame next to the end legs. The end legs have corner braces with flanges. The outside bracket mounts under the brace changing its height. The spacers are used on the other side of the drawer to make the drawer height the same on the inside as the outside.

NOTE: Both spacers go on the same bracket to keep the drawer level. The bracket with spacers will be located on the opposite side of the drawer from the end leg

NOTE: If a drawer is mounted in the center four foot section of the frame, neither side of the drawer will be located next to an end leg, so neither side drawer bracket will need a spacer. In this case, save the spacers should you decide to move the drawer to a side location later.

NOTE: In these instructions we are mounting the drawer to the right end of the frame so we will need spacers on the left bracket. The right drawer bracket will be at the right end of the frame where the corner braces are located. The images show this position scenario.

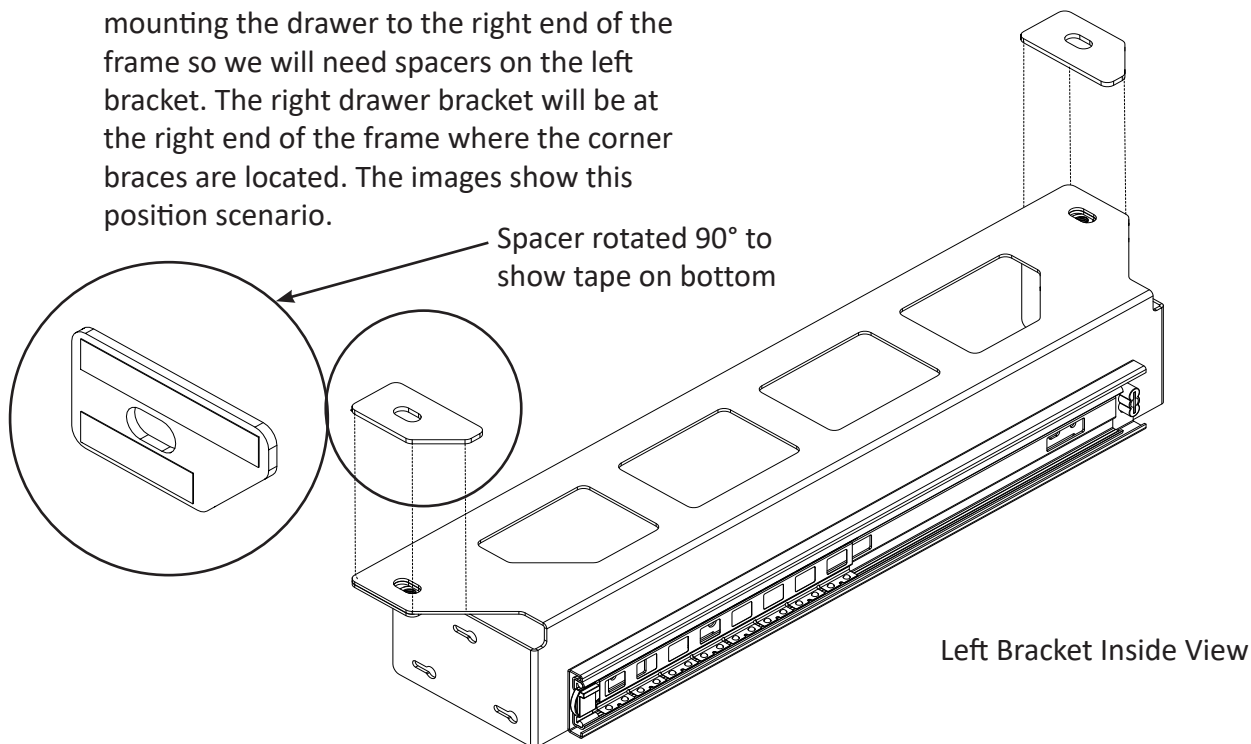
HG-01400 with HG01409 Kit for My Secret Drawer, HQ Studio3 Frame

ITEM	PART #	DESCRIPTION	QTY
1	HG01400-01	BRACKET SHORT-STUDIO FRAME	2
2	HG01400-23	DRAWER MOUNTING SPACER - (SR3 from the HG01409 Kit) <p>Note: these spacers are different from the other spacers, HG01400-12 provided to be used on Studio and Studio2 frame.</p>	2

Step 1: Determine where the spacers will go and take note of how they will align to the proper bracket. See notes to the left for more information.


Step 2: Remove the backing from the sticky tape on the back of the spacers.

Step 3: Align the spacers and press them down firmly, ensuring that the elongated holes and edges line up between the spacer and the bracket.



Section 4: Left Bracket to Frame Assembly (Opposite End Leg)

Step 1: Remove the set screw shown on the table splicer where the drawer is mounting at both the front and rear. Replace the two shorter screws with longer screws (Item 1) and fully tighten them.

 **NOTE:** the longer set screw is needed to tighten the table top splicer as well as provide threads for the drawer mount fixing nut.

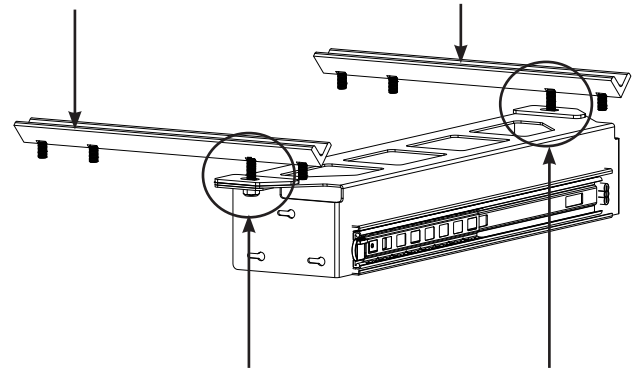
Step 2: Align the left bracket with spacers to the underside of the frame.


Step 3: Raise the bracket and place a M8 nut onto the set screw at the front and rear.

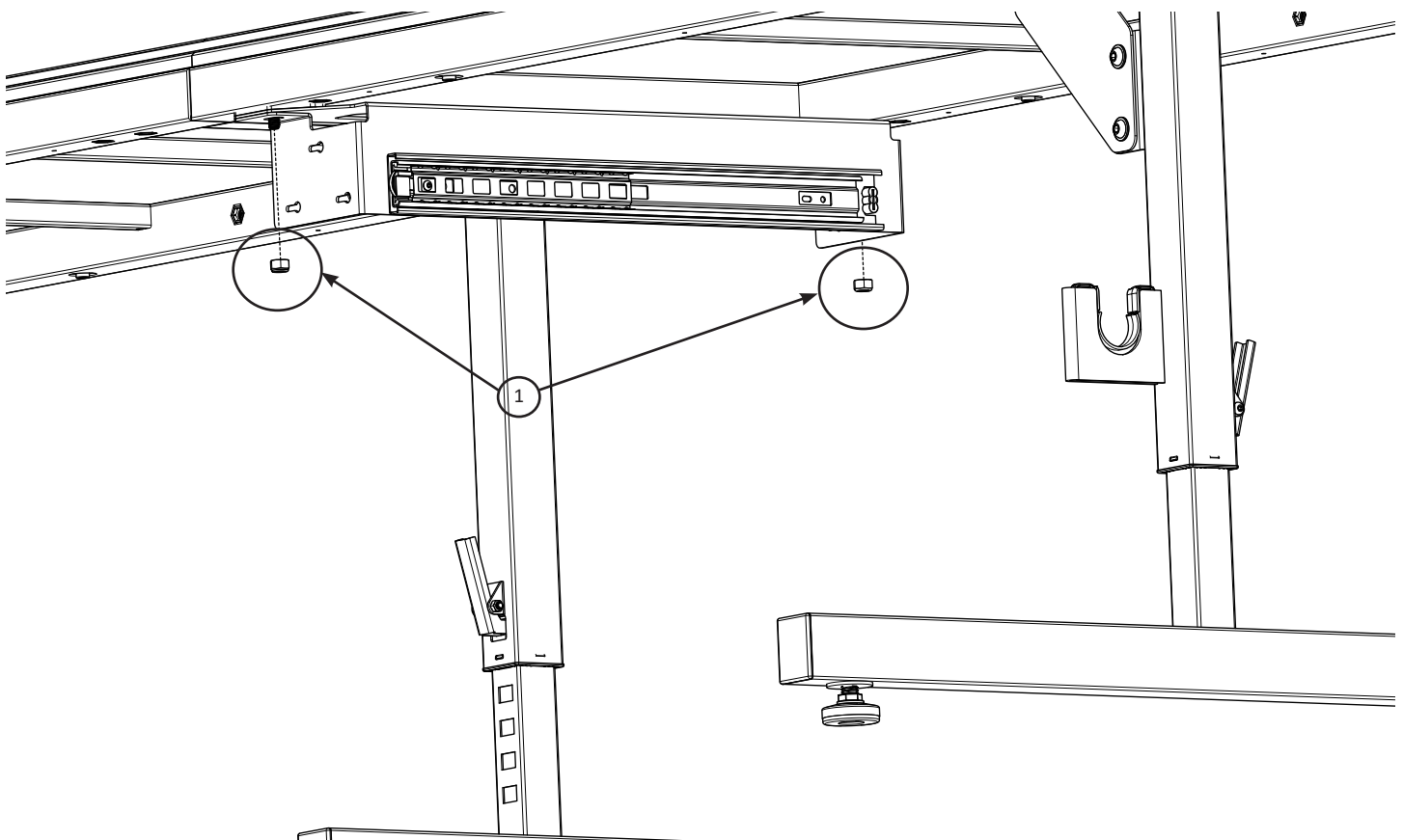
Step 4: Center the bracket left to right on the screws and fully tighten the nuts with the provided 13mm wrench.

ITEM	PART #	DESCRIPTION	QTY
1	QM10711	SCREW-M8 X 35 SKS Flat ZN (SR3 Kit)	2

Internal Table Splicers - inside table top tubing




 **Note:** Two longer set screws with nuts replace two short set screws to fix the mounting bracket on the drawer end where the internal table splicers are used. *The other screws will not be visible below the internal rivnuts, just the new longer screws for regular nuts.*



Section 5: Right Bracket to Frame Assembly (Next to End Leg)

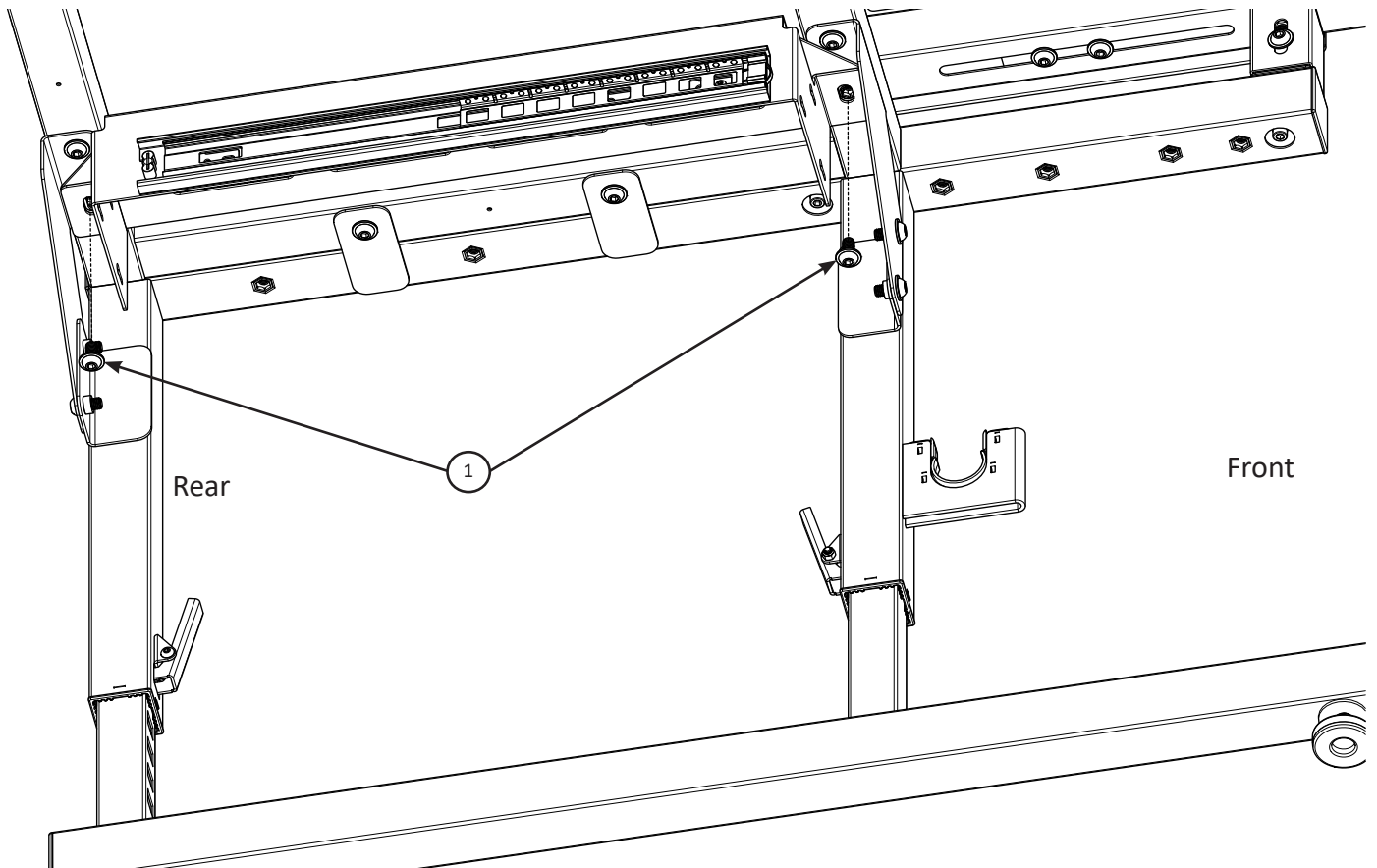
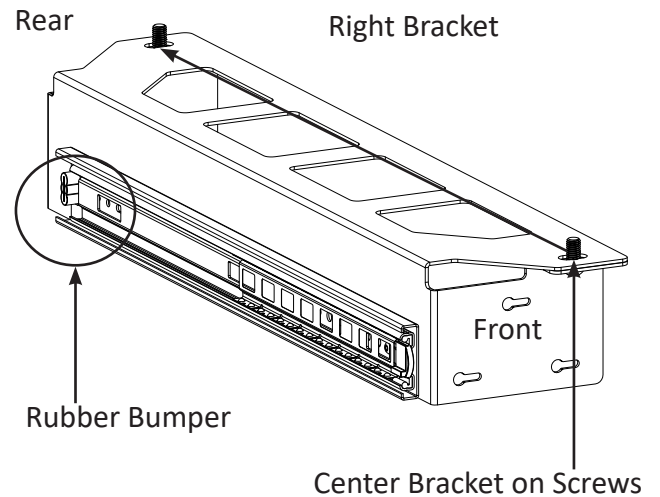
Step 1: Remove the outside corner brace screw from the front and rear corner braces going into the table top at the right end leg. Align the right bracket without spacers to the underside of the frame, next to the end leg.

 **NOTE:** This is best done with a second person holding the bracket while you insert the screws. The rubber bumper goes to the rear of the frame.

Step 2: Replace the original screws with the longer M8 X 20 flanged screw provided through the bracket and up into the threaded holes on the bottom of the frame top at both the front and rear. You may find the 5mm driver tool easier to use while doing this.

Step 3: Center the bracket left to right on the screws and partially tighten them, leaving them loose enough to adjust the bracket later.

ITEM	PART #	DESCRIPTION	QTY
1	QM10959	SCREW-M8 X 20 FLGD SKB ZN (Drawer Kit)	2



Section 6: Drawer Side Face Assembly

➤ **IMPORTANT:** The drawer side faces cover the drawer mounting bracket. If they are installed before the drawer sides they can be slid from inside to outside easily. They will be adjusted in the last step after the drawer is completely assembled.

✎ **NOTE:** The drawer side faces come with the screws started into the wood. The screws may need to be loosened a little to fit into the keyhole slots.

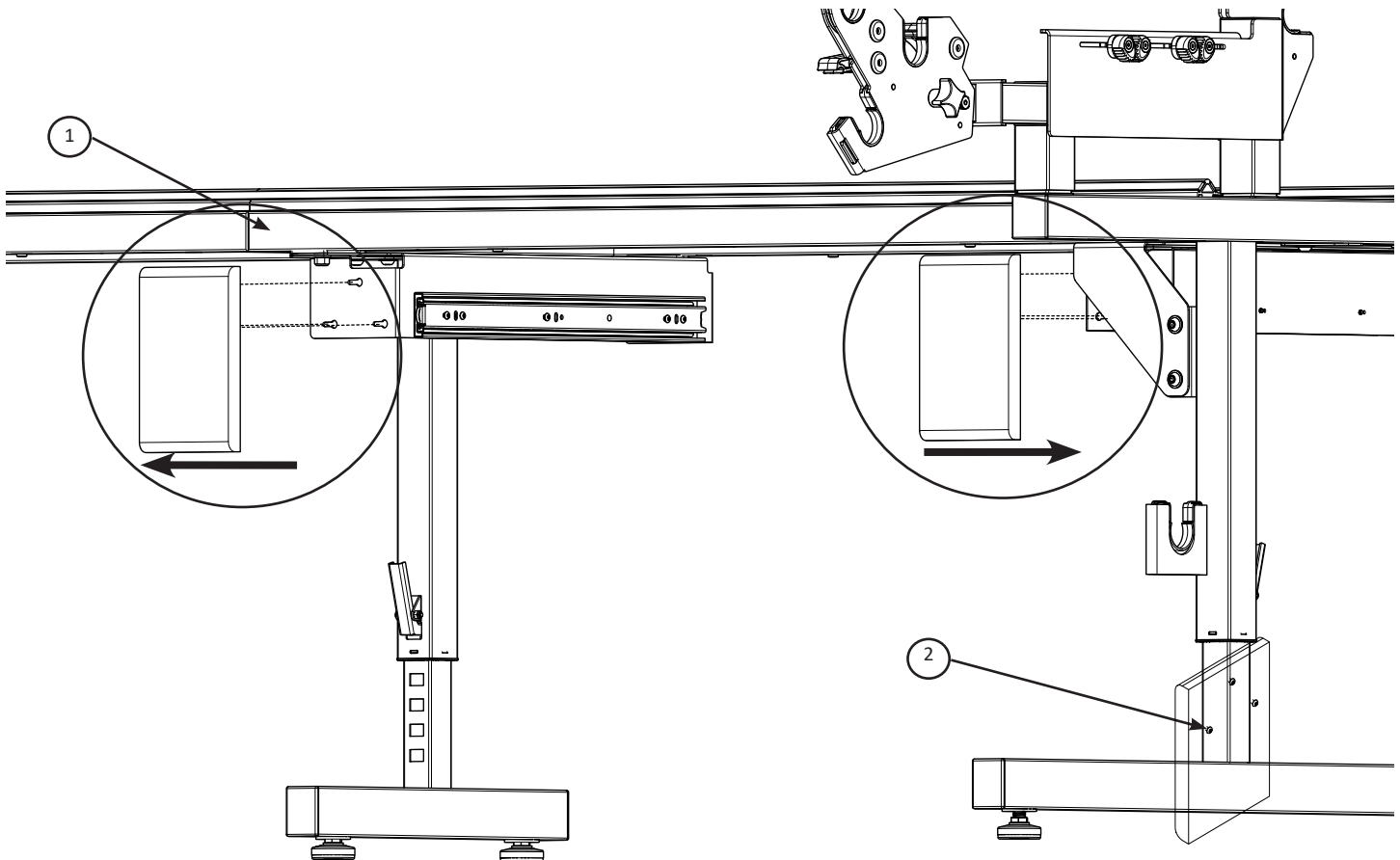
ITEM	PART #	DESCRIPTION	QTY
1	HG01400-08	DRAWER SIDE FACE	2
2	HG01400-19	SCREW-PHP W 3.5 X 15MM ZN	6
3	QM13237	SCREW-M4 X 12MM SKB ZN *Not Shown	6

Step 1: After mounting the left and right drawer brackets and before installing the left and right drawer sides install the drawer side faces.


Step 2: Insert the heads of the three wood screws located in the side face through the keyholes in the bracket and slide them from the center of the drawer to the outside.

Step 3: Tighten the screws with a #2 Phillips screw driver (not provided). Do not tighten the screws completely until final adjustments are made in the last Section 14.

Step 4: Repeat Steps 2 and 3 for the drawer face on the other side.



Section 7: Drawer Side Attachment

 **NOTE:** The ball bearing slider in the inside drawer slider goes together best when pulled all the way to the front of the inside slider.


Step 1: Pull the ball bearing cage assembly to the front of the inside drawer slide until it stops into the black end cap.

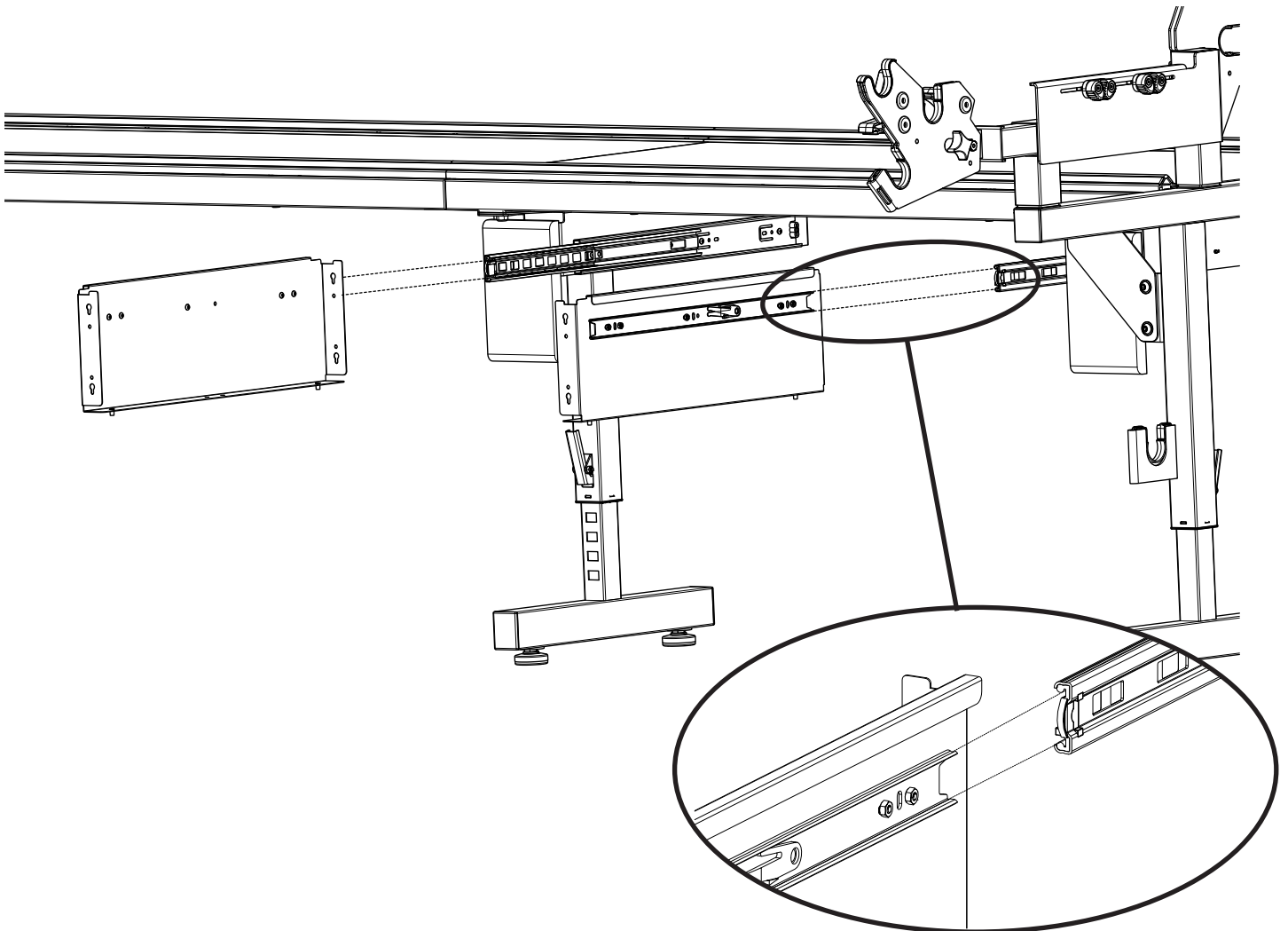
Step 2: Align the drawer slide mounted to the drawer with the black end caps and ball bearing cages on the brackets.

Step 3: Slide the drawer slide evenly into the slide on the brackets. You will feel some resistance; however it should be smooth as the ball bearing cages engage into the slides on the brackets.

Step 4: Slide the drawer in all the way.

Step 5: Repeat for the opposite drawer side.

 **NOTE:** Test the slides by sliding the drawer side open and closed a few times to ensure it is smooth. The drawer should now go in and out smoothly. If not, try steps 2 through 4 again. Do not force the drawer side but remove it and try again. You may have to push the small release lever in order to remove the drawer side.



Section 8: Drawer Sides to Drawer Rear Assembly

Step 1: Locate the drawer rear (item 2).

Step 2: Orient the drawer rear so the top lip is to the outside and the bottom bend is to the inside.

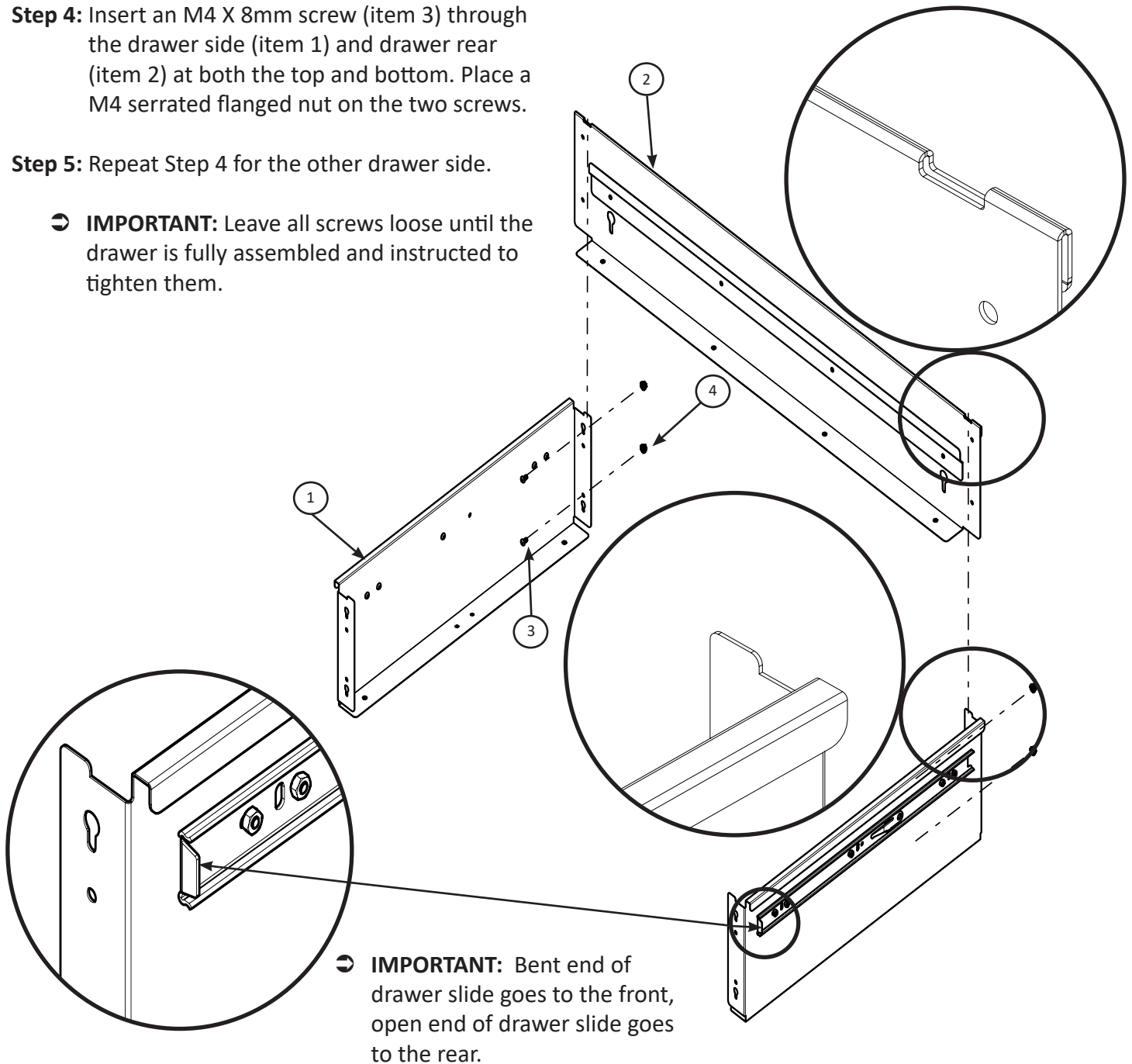
Step 3: Place the rear of the drawer down over the location tab at the rear of each drawer side. It may be easier to pull the drawer sides forward for better access to the back.

Step 4: Insert an M4 X 8mm screw (item 3) through the drawer side (item 1) and drawer rear (item 2) at both the top and bottom. Place a M4 serrated flanged nut on the two screws.

Step 5: Repeat Step 4 for the other drawer side.

➤ **IMPORTANT:** Leave all screws loose until the drawer is fully assembled and instructed to tighten them.

ITEM	PART #	DESCRIPTION	QTY
1	HG01400-02	DRAWER SIDE	2
2	HQ01400-03	DRAWER REAR-4 FOOT	1
3	HG01400-17	SCREW-M4 X 8MM SKB ZN	4
4	QM10528	NUT M4 SERRATED FLANGE	4



Section 9: Drawer Bottom and Front Assembly

Step 1: Locate the drawer front (item 1) and the drawer bottom board (item 2).

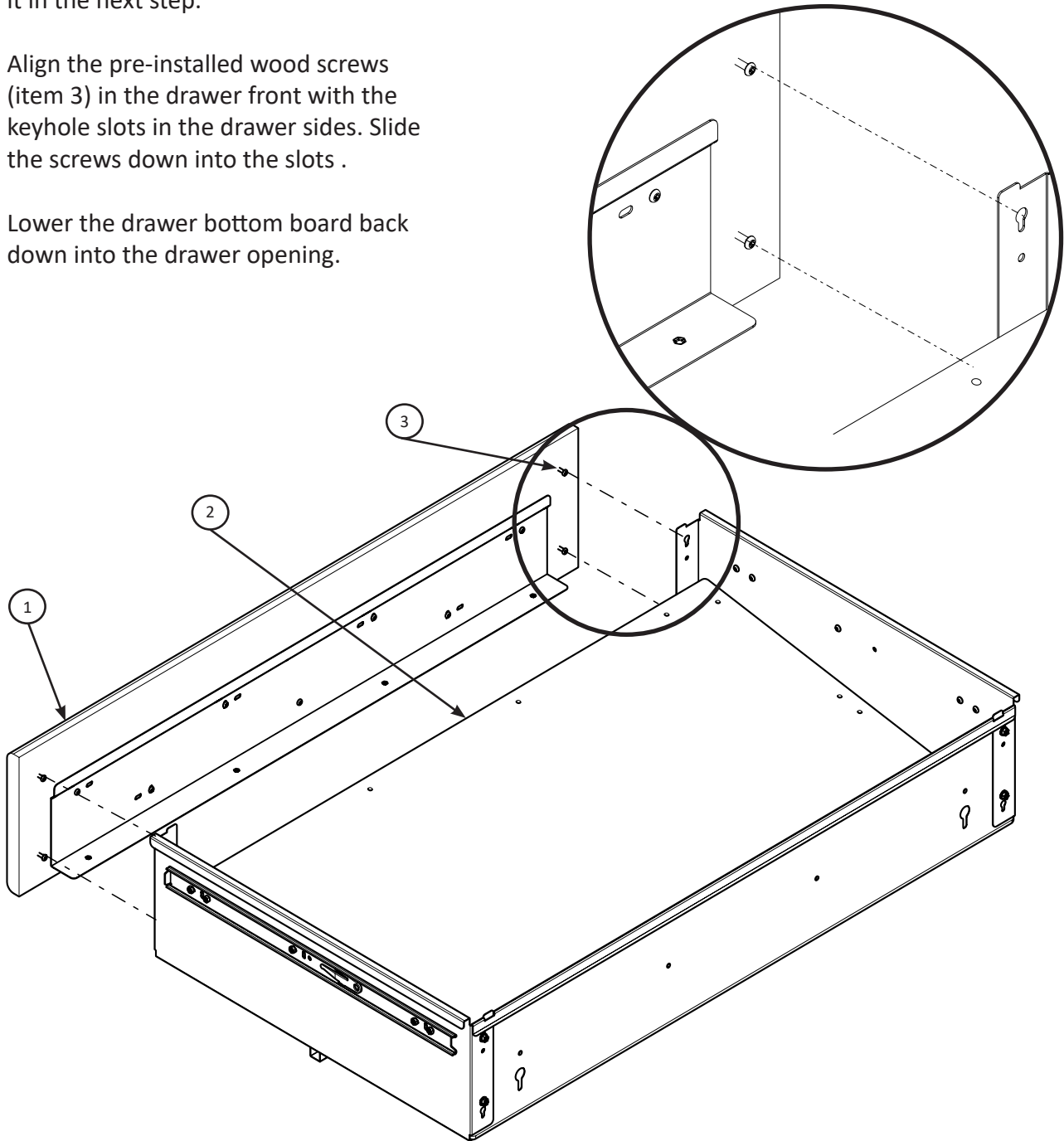
ITEM	PART #	DESCRIPTION	QTY
1	HQ01400-06	DRAWER FRONT-4 FOOT	1
2	HG01400-05	DRAWER BOTTOM BOARD 4 FOOT	1
3	HG01400-19	SCREW-PHP W 3.5MM X 15MM ZN (PRE-INSTALLED)	11

Step 2: Place the drawer bottom board down into the drawer sides and drawer rear.

Step 3: Lift the bottom board enough in the front to slide the drawer front metal lip under it in the next step.

Step 4: Align the pre-installed wood screws (item 3) in the drawer front with the keyhole slots in the drawer sides. Slide the screws down into the slots.


Step 5: Lower the drawer bottom board back down into the drawer opening.




Section 9: Drawer Bottom and Front Assembly - *continued*

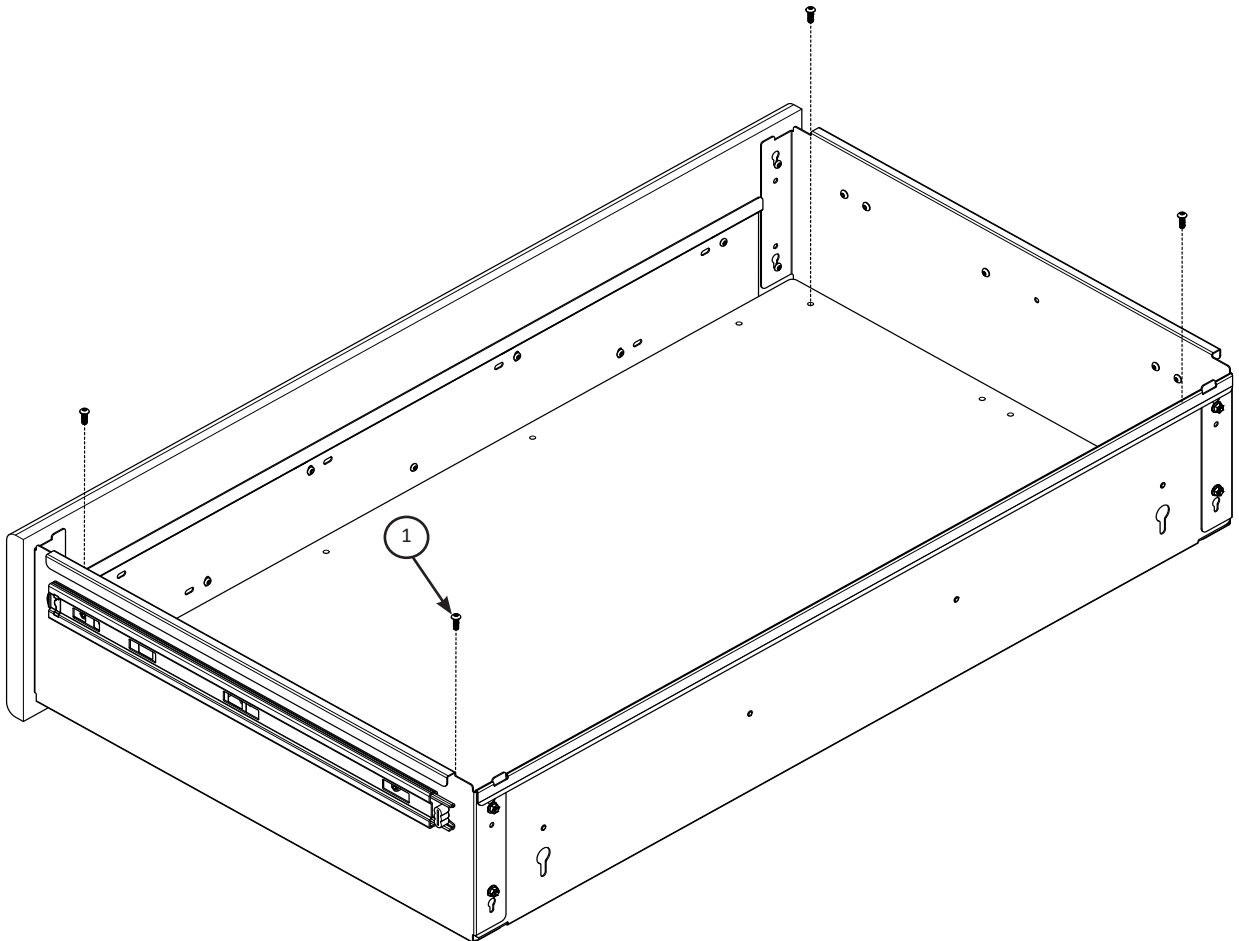
Step 6: Align and insert the corner screws (item 1) through the drawer bottom and into the drawer sides at the front and rear.

ITEM	PART #	DESCRIPTION	QTY
1	QM13237	SCREW-M4 X 12MM SKB ZN	4

 **NOTE:** Do not insert screws into the center two holes on the drawer bottom and sides at this time.

Step 7: Just start the screws for now, using the 2.5mm hex driver (provided).

 **NOTE:** Drawer shown out of frame for ease of illustration.




Section 9: Drawer Bottom and Front Assembly - *continued*

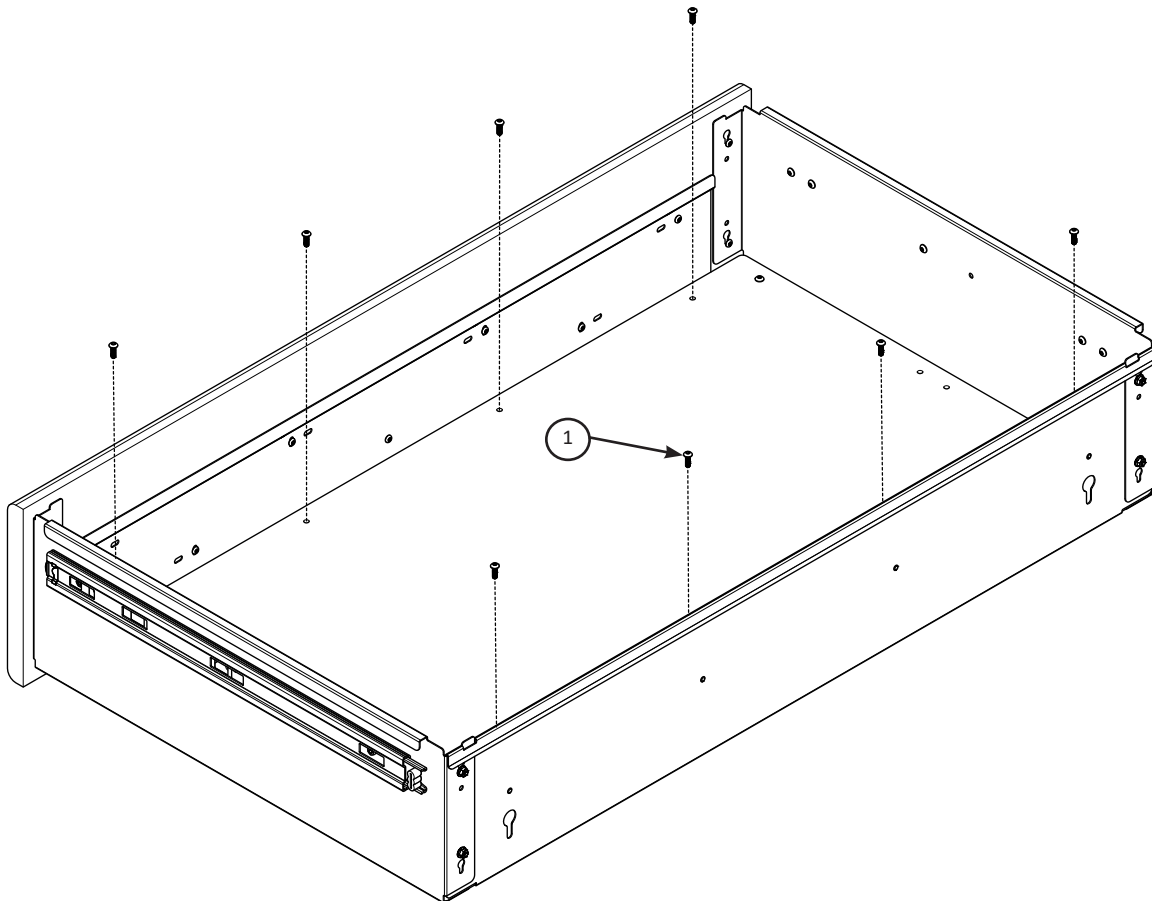
Step 8: Align and insert the four screws through the drawer bottom into the drawer rear.

ITEM	PART #	DESCRIPTION	QTY
1	QM13237	SCREW-M4 X 12MM SKB ZN	8

Step 9: Align and insert the four screws through the drawer bottom into the drawer front.

Step 10: Just start the screws for now, using the 2.5mm hex driver (provided).

 **NOTE:** Drawer shown out of frame for ease of illustration.



Section 10: Drawer Bottom Brace Assembly

Step 1: Pull back about 1 inch of the red backing on the sticky tape on each end of the bottom drawer brace (item 1) and fold it at 45°. You should have four little red tabs to grab to remove the red backing later on.

➡ **IMPORTANT:** Do not pull the red backing off until instructed to do so.

Step 2: From the inside of the drawer, insert two screws (item 2) through the center 2 holes in the drawer bottom at one side.

Step 3: With a second person's assistance, hold the drawer brace (item 1) in position on the bottom of the drawer as shown with the red tape toward the bottom of the drawer.

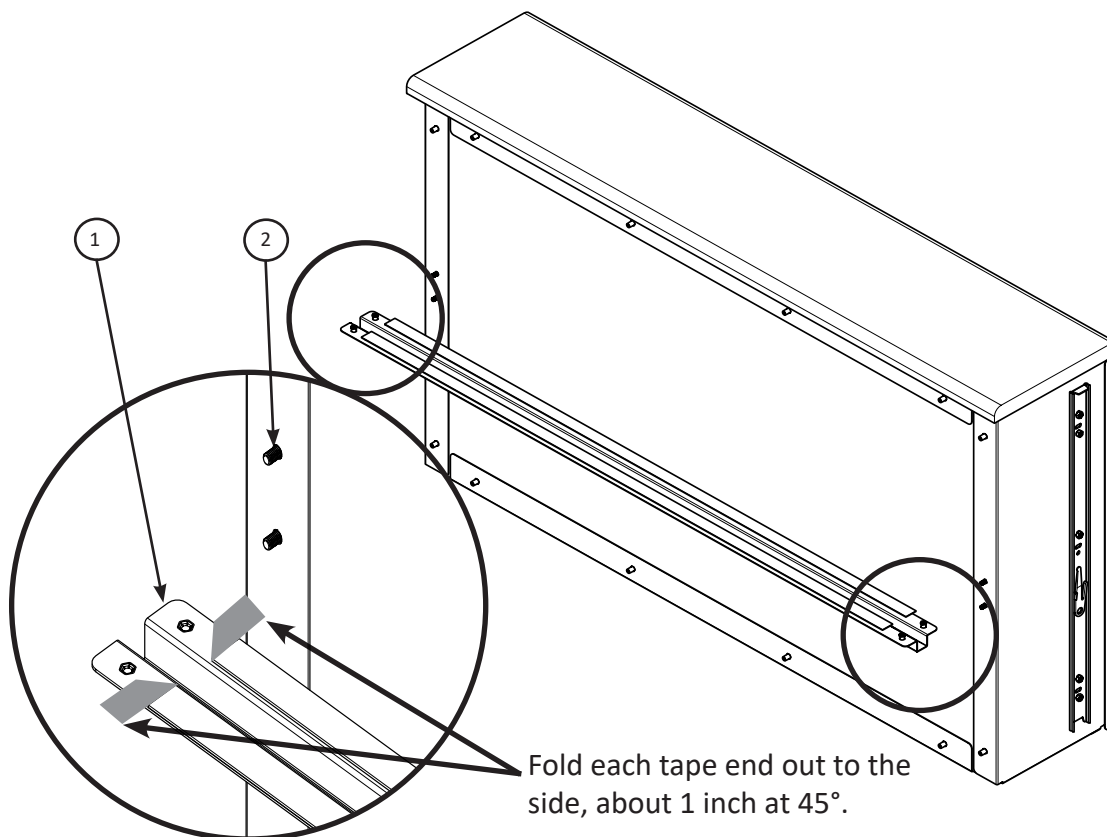
ITEM	PART #	DESCRIPTION	QTY
1	HG01400-07	BRACE-DRAWER BOTTOM	1
2	QM13237	SCREW-M4 X 12MM SKB ZN	4

Step 4: Align the two brace holes with the screws coming through the drawer bottom. Using the 2.5 mm hex driver on the inside of the drawer, start the screws into the brace.

➡ **IMPORTANT:** Just start the screws, do not tighten them yet.

Step 5: Repeat Step 4 for the two screws on the other end of the drawer.

✍ **NOTE:** The red tape will be pulled off later on, after the sides, back, and front are pushed in at the bottom, minimizing gaps.



Section 11: Tightening Drawer Screws

Step 1: Push the side of the drawer in towards the drawer bottom to get it as straight and close as possible and tighten the rear corner screw firmly, using the 2.5 handle hex tool (provided).

Step 2: Repeat Step 1 for the other side of the drawer.

➡ **IMPORTANT:** Do not tighten the two center screws into the brace at this time.

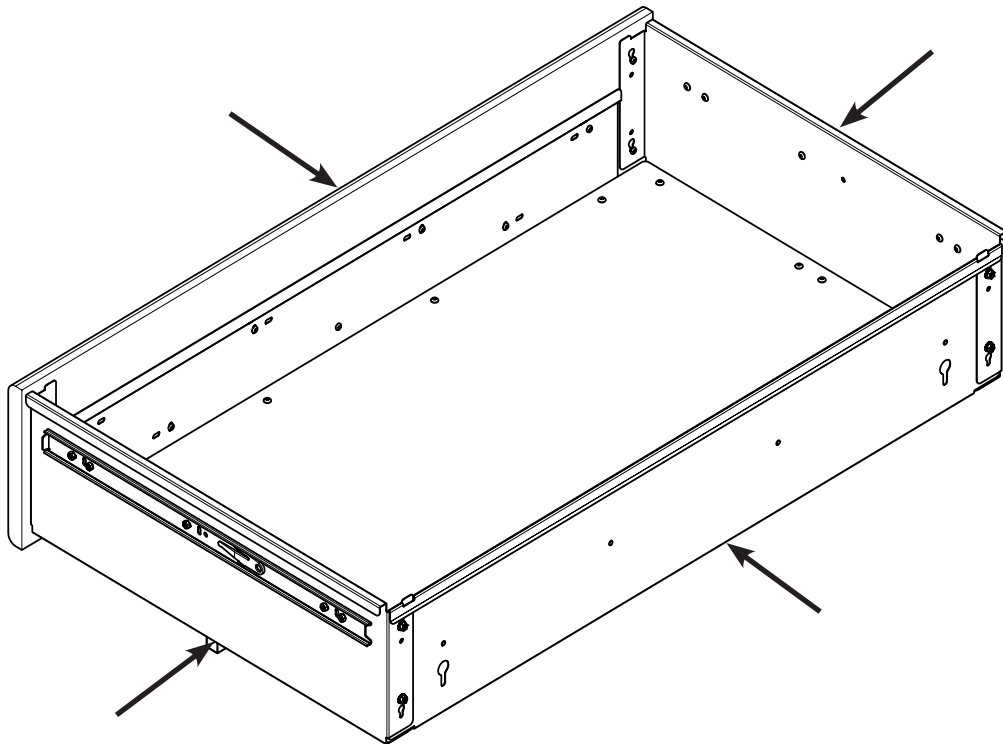
Step 3: Push the drawer rear in towards the drawer bottom to get it as straight and close as possible and tighten the four back bottom screws firmly.

Step 4: Tighten the two screws with nuts, firmly holding the drawer side to the drawer back, using the 7mm wrench and 2.5mm handle hex tool (provided).

Step 5: Repeat Step 4 on the other drawer side to the drawer back.

Step 6: Push the drawer front towards the drawer bottom and tighten the four front screws to the drawer bottom firmly using a 2.5mm hex tool.

Step 7: Tighten the four wood screws to the drawer front using a #2 Phillips screwdriver (not provided).




Section 12: Tightening Center Bottom Drawer Brace Screws

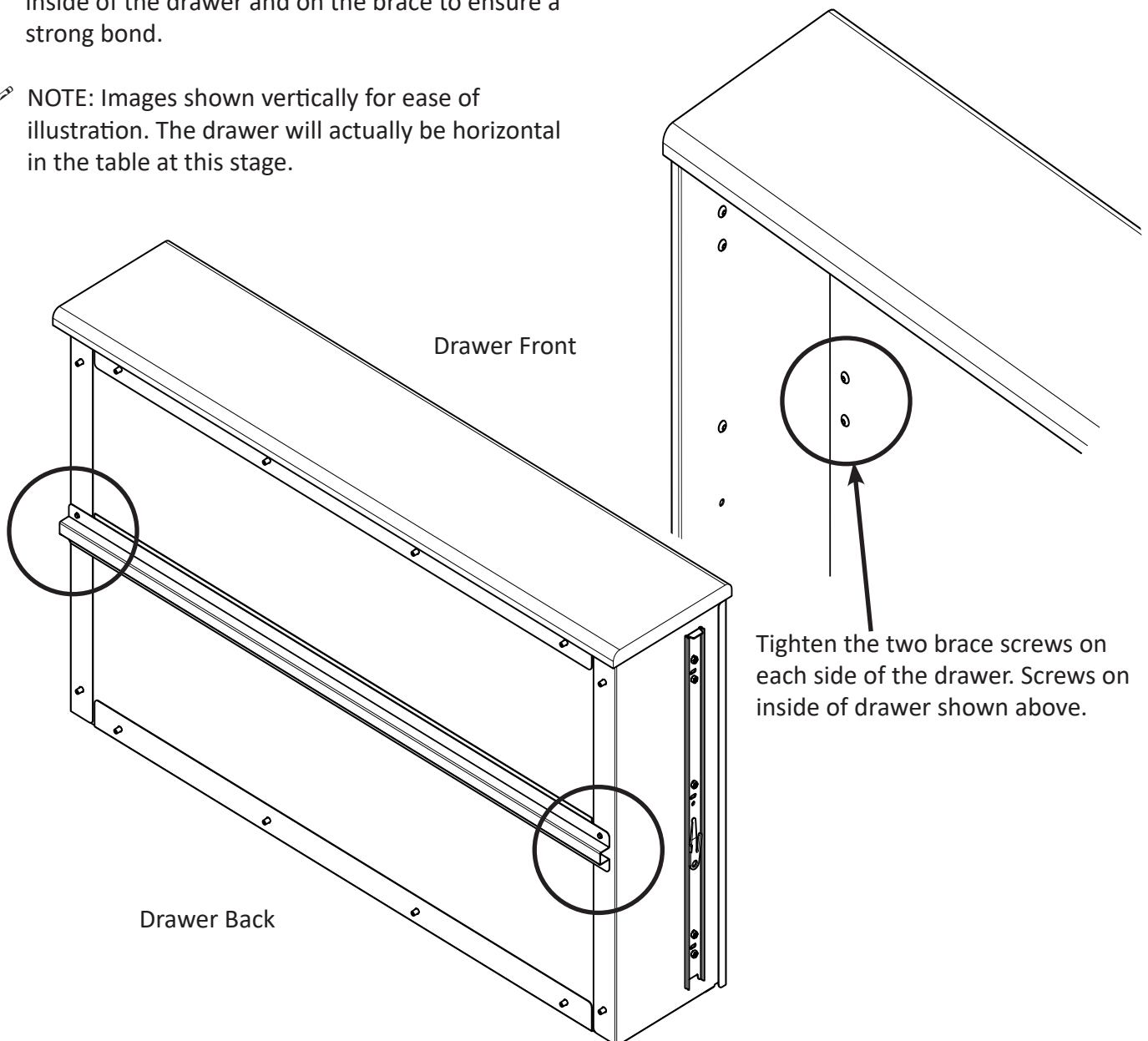
Step 1: Pull the four red tabs created in Section 10, Step 1 to remove the red tape to expose the sticky tape on the drawer brace.

Step 2: Push the brace evenly up on the screws towards the wood.


Step 3: Tighten the two screws inside the drawer at the center of each side into the bottom drawer brace firmly with the 2.5 hex driver (provided).

Step 4: Using your hands, apply firm pressure from the inside of the drawer and on the brace to ensure a strong bond.

 **NOTE:** Images shown vertically for ease of illustration. The drawer will actually be horizontal in the table at this stage.



Section 13: Tightening Bracket to Frame

 **Note:** At this point the drawer is assembled with but the right side bracket is still loose and ready to be adjusted.

Step 1: Push the drawer all the way back to the closed position; this will align the brackets.

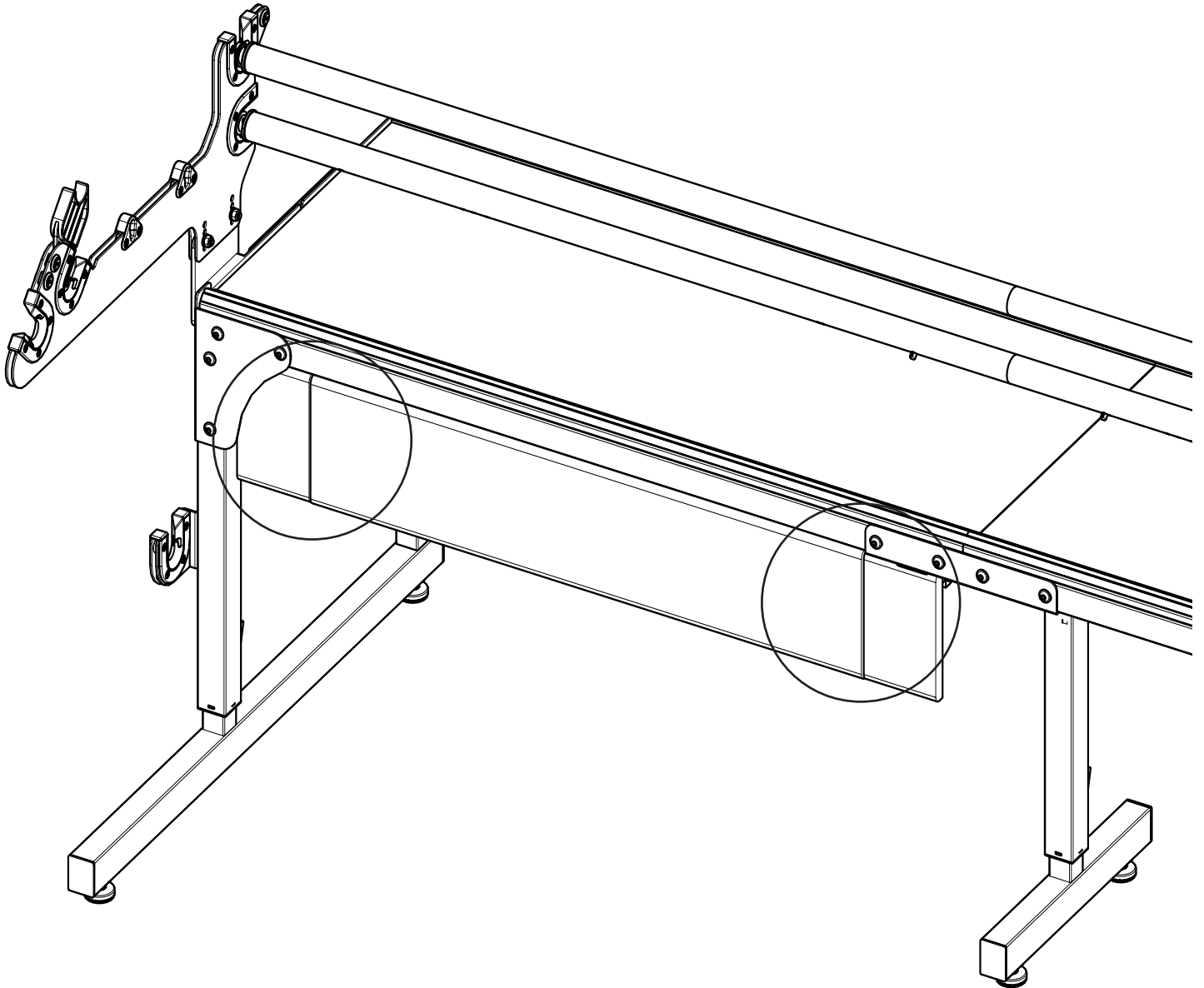
Step 2: Tighten the two mounting screws on the right side that were left loose in Section 5. Make sure when tightening that the bracket is not putting pressure on the drawer.

Step 3: Check the drawer by pulling it out and pushing it in a couple of times. If it feels tight, loosen the two screws on the right bracket and repeat steps 1 through 3.

Section 14: Side Face Alignment

Step 1: Align the side drawer face to have about 1/8" gap between it and the large drawer front. Fully tighten the three wood screws with a #2 Phillips screwdriver (not provided).

Step 2: Repeat Step 1 on the other side face.





www.HandiQuilter.com

1-877-MY-QUILT

(697-8458)