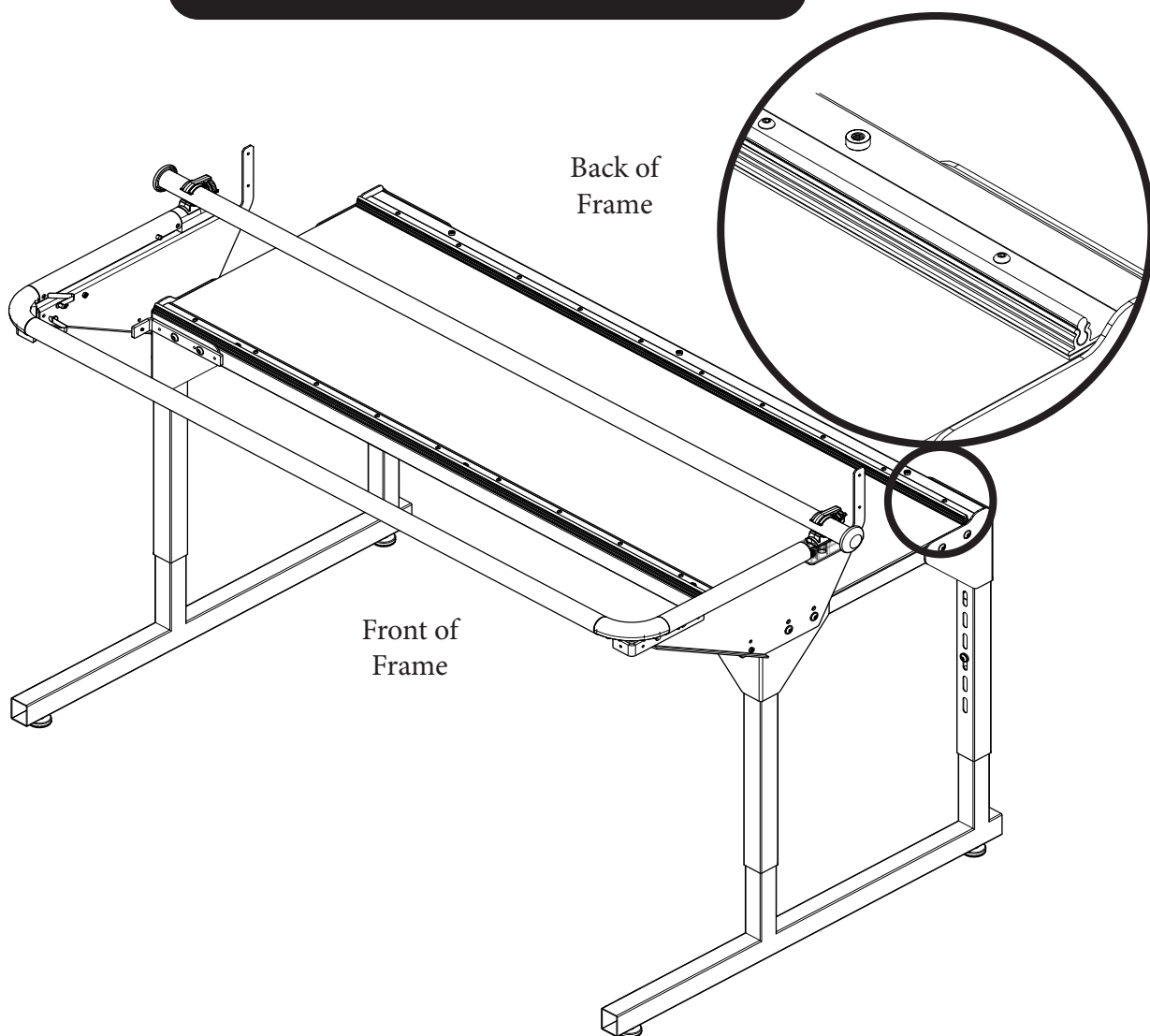


# Four-Wheel Carriage on Five-Foot Quilting Frame

## Assembly Instructions



## Table of Contents

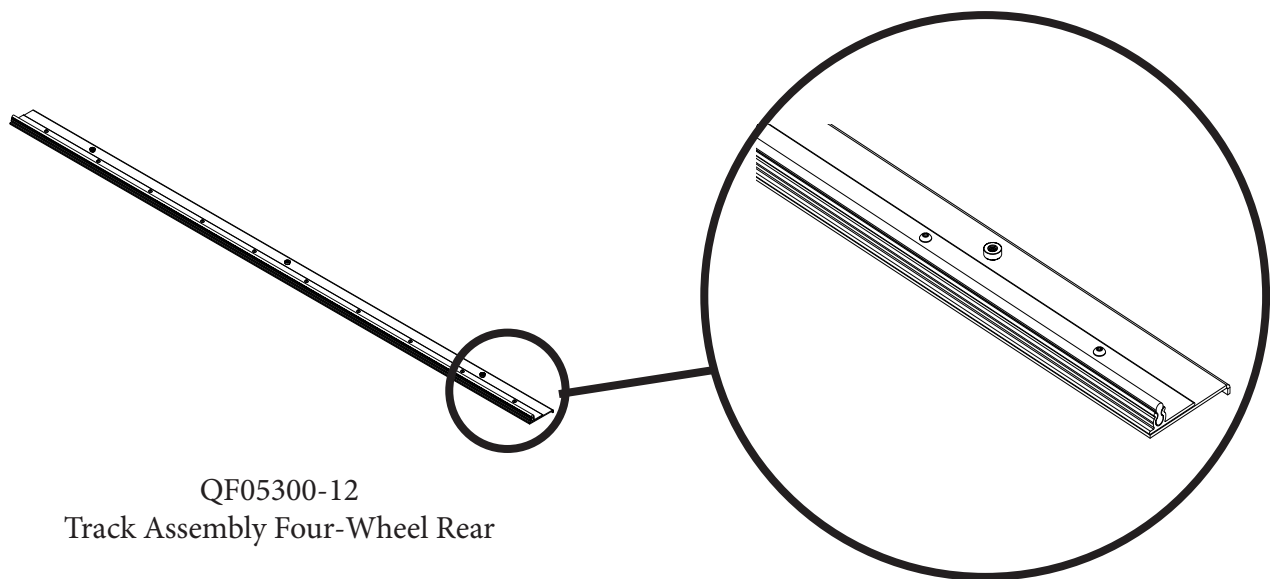
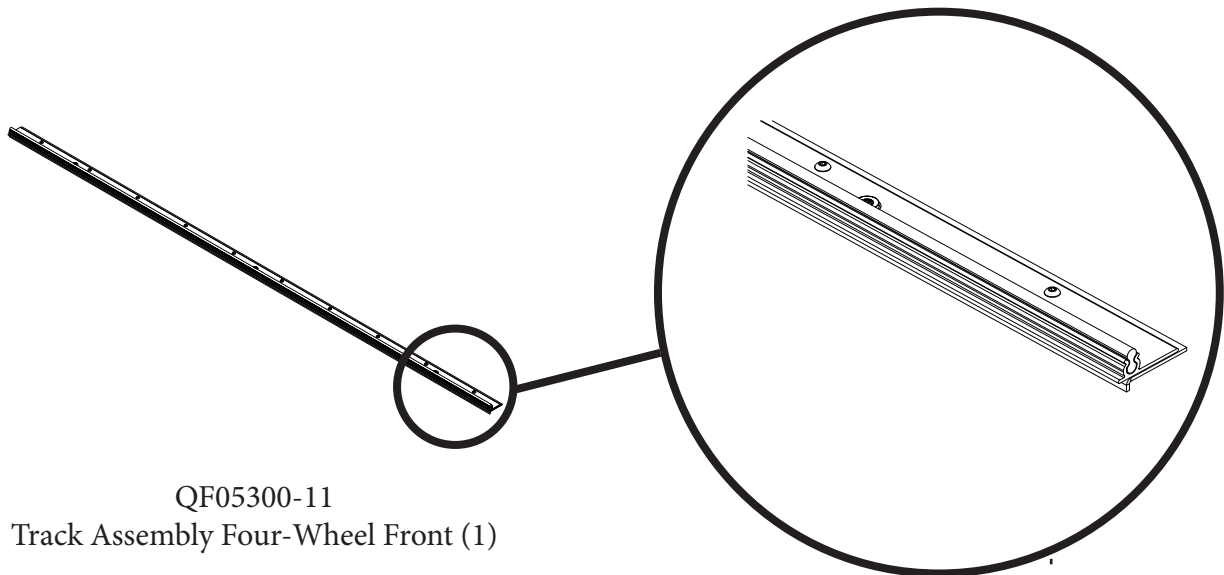
- 2 What's Included
- 3-4 Replacing 8W Track Supports with 4W Track Assemblies

## Introduction

The Five-Foot Quilting Frame can be set up to work with a four-wheel carriage. This requires the eight-wheel track supports on the frame table top to be changed to tracks compatible with the four-wheel carriage.


## What's Included:

Part #	Description	Quantity	Includes
QF05300-11	Track Assembly Four-Wheel Front	1	(1) QF05300-08 Front Track Support, (1) QF05300-06 Front Adapter Rail, (1) QF05300-10 Track, (10) QM10277 Screw-M4x4 SKB ZN
QF05300-12	Track Assembly Four-Wheel Rear	1	(1) QF05300-09 Rear Track Support, (1) QF05300-07 Rear Adapter Rail, (1) QF05300-10 Track, (10) QM10277 Screw-M4x4 SKB ZN
QF09318-116	2.5mm Hex Driver (Not shown)	1	<b>Check the box carefully - this tool is small and easy to miss!</b>




## Replace the Eight-Wheel Track Supports with Four-Wheel Track Assemblies

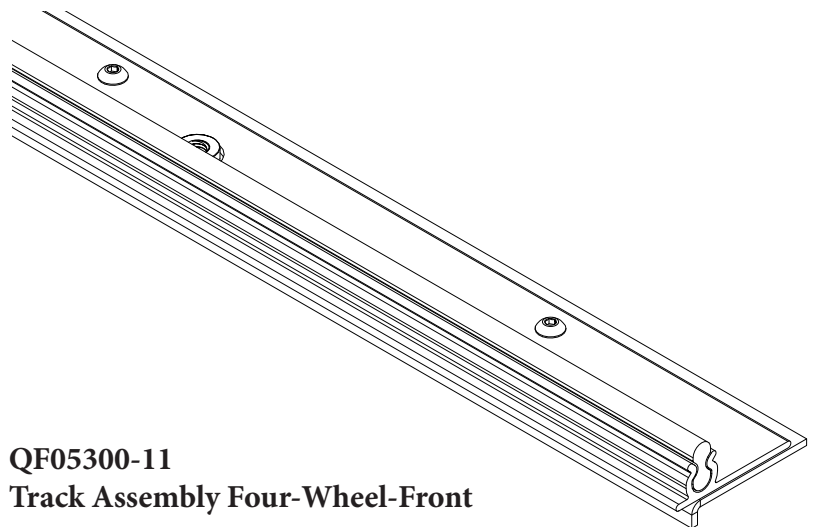
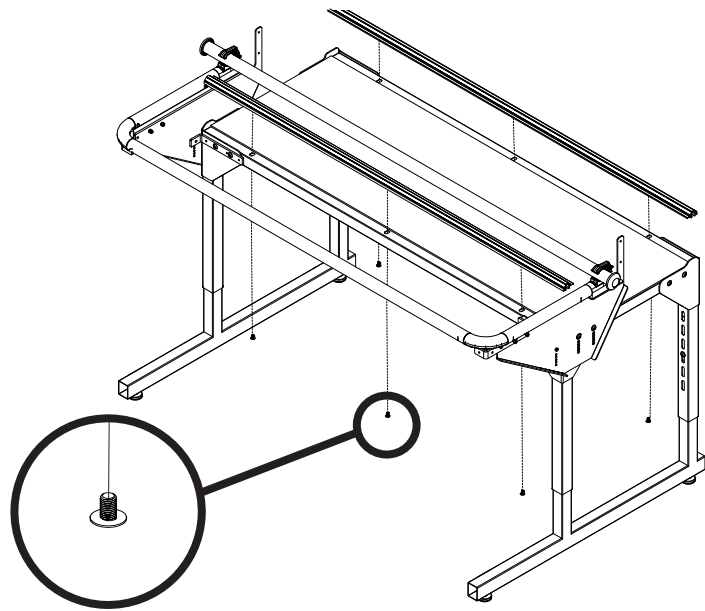
1. Remove the eight-wheel track supports already installed on the table top. Remove the three large flange head screws holding each of the front and rear eight-wheel track supports in place from the bottom side of the table top.

 **NOTE:** The 4mm hex tool that is required to remove these screws was provided in the original frame kit. These track supports will not be needed for the four-wheel carriage and may be discarded. The six screws will be re-used.

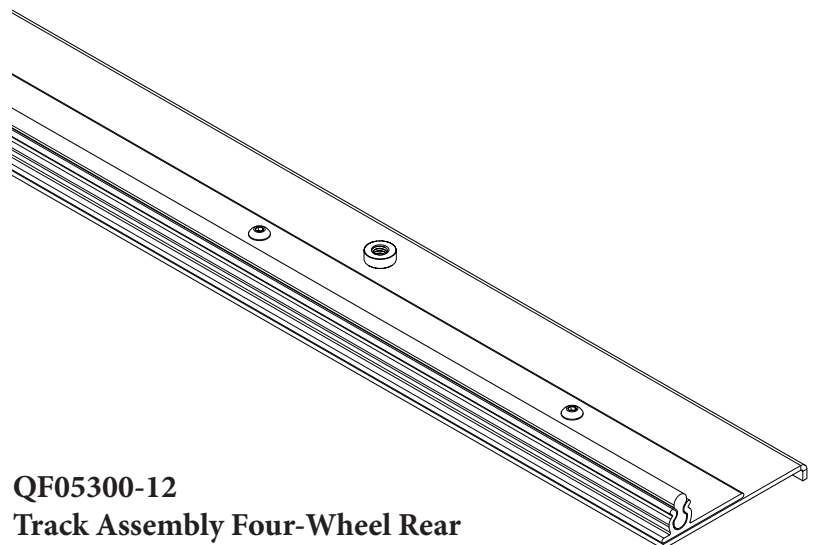
**Save the 6 flange head screws.**

2. Install the front and rear four-wheel track assemblies, using the flange head screws saved in step 1, from the underside of the table. Leave the six screws loose for now.

 **NOTE:** The front four-wheel track assembly is narrower than the rear four-wheel track assembly. The bent lip goes to the outside of the table top on each of the assemblies.




**QF05300-11**  
**Track Assembly Four-Wheel-Front**



**QF05300-12**  
**Track Assembly Four-Wheel Rear**

## Replace the Eight-Wheel Track Supports with Four-Wheel Track Assemblies - Continued

3. Place the four-wheel carriage on the tracks. Ensure the distance between the front and rear tracks is correct and consistent for the wheels. Move the carriage along the track and slide the tracks closer or further apart as needed.
4. Once you have confirmed the tracks fit into the carriage wheels, align the back track straight across the rear of the frame and fully tighten the screws.
5. Roll the carriage to one end, ensure the tracks are aligned the correct distance apart and fully tighten the front screw.
6. Repeat this process for the center and end screws at the front.

 **NOTE:** All screws should now be tightened and the machine should roll freely down the track without any resistance. If not, adjust the distance between the tracks until the carriage rides freely along the track.

Coarse adjustment is made with the large flange head screws from the underside of the table. Fine adjustment is made with the M4x4 button head screws on top with the 2.5mm hex tool.

