

Sixteen Inch Machine on 4-Wheel Carriage/8-Footer Frame

Instructions for QF09511

What's Included:

Part #	Description	Quantity
QF09510 (w/ENC LGWIN)	Carriage Assembly with Encoder Large Wheel Installed and Reversed Tracks	1
QM29762	Magnetic Encoder Assembly Large Wheel	1
QM29760-9	Magnetic Encoder Spring Latch	1
QM10776	Nut 1/4-20 JAM ZINC	1
QM10303	SCREW 1/4 X 2 1/4 SKS BL	1
QM20127	Adapter – 4W Carriage 8 ft Frame	1
QM20041-8	CABLE-ENCODER TRRS 3.5mm 18in	2
QM10287	3mm L HEX KEY	1
QM10742	SCREW 4-40 X 1/2 PHP ZN	2
QM10220	COVER, QM20127 Adapter	1

Replace Machine Encoder and Mounting Screw

➤ **IMPORTANT:** Take care not to lose the thin and thick washers on each side of the wheel and encoder when you remove them to install the new machine encoder. They will be used again.

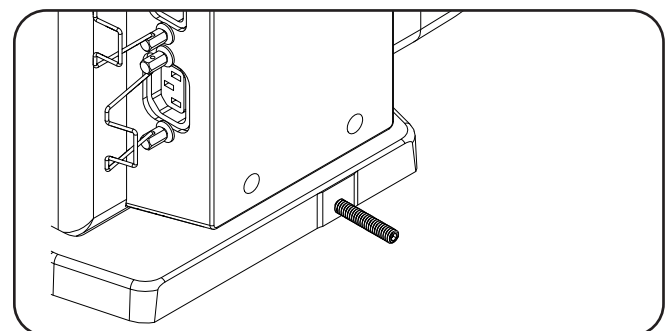
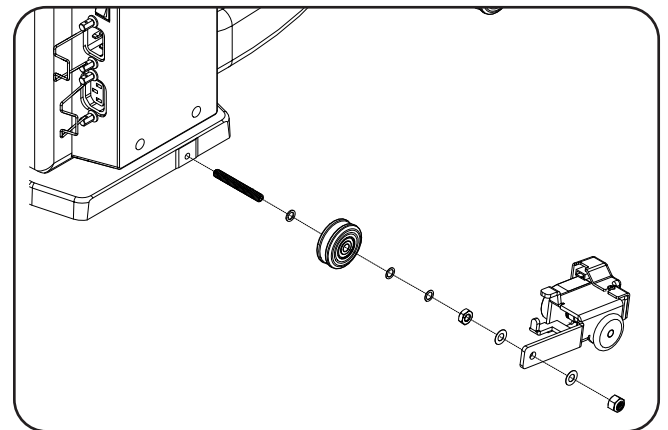
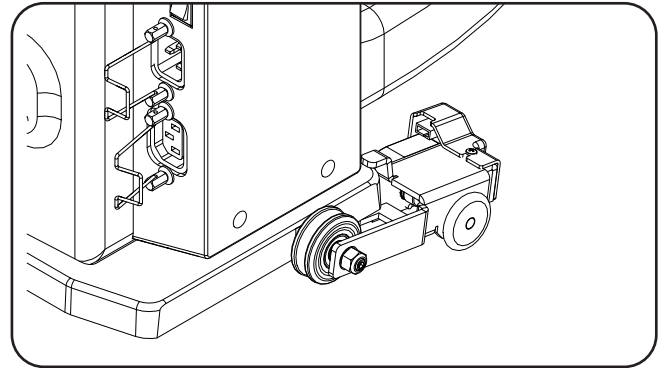
1. Using a 7/16" wrench (not provided) loosen and remove the nut from the rear encoder wheel.
2. Remove the encoder and washers taking care not to misplace any parts; they will be reused.

➤ **IMPORTANT:** Each wheel has two thin washers and one thick washer. The washers are for aligning the wheels to the carriage track. If the wheels do not roll freely front to back on the carriage the thin and thick washers can be repositioned on the inside or outside of the wheels to achieve a smooth roll.

3. Remove the mounting screw with a 3mm L hex tool (provided). This screw will be replaced with the longer 2 1/4" screw.

➤ **IMPORTANT:** Set the removed encoder and mounting screw aside. They will not be used with this system.

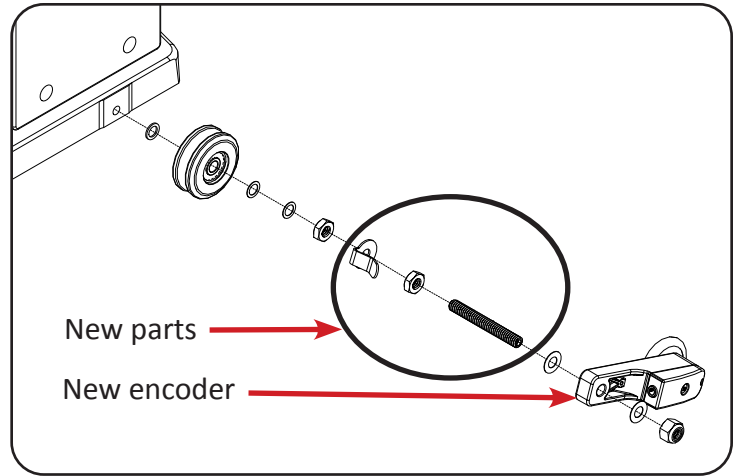
4. Install the longer 2 1/4" mounting screw into the machine 1/2" or ten revolutions using the 3mm L hex key.



5. Install the new machine encoder as shown in the diagram, using the existing parts and the new parts provided. Do not over tighten the lock nut. The encoder must be free to allow gravity to drop it onto the carriage surface so the encoder wheel can turn.

6. Adjust the magnetic encoder spring latch so the encoder is free to drop the wheel onto the carriage surface. See the illustration for proper positioning.

➤ **IMPORTANT:** The encoder wheel must turn in order for stitch regulation to work properly. The magnetic encoder spring latch is used to hold the encoder up, at a 90 degree angle, when the machine is removed from the carriage.



Connect the Adaptor and Cables

1. Connect the adaptor to the machine 9 pin connector and plug one of the 18" cables into the machine encoder and the other into the carriage encoder as shown.

➤ **IMPORTANT:** The machine encoder cable will connect to the "Y Encoder" and the carriage encoder cable will connect to the "X Encoder".

2. Place the adaptor cover over the adaptor and cables and install the two 4-40 x 1/2 PHP screws to hold it firmly in place.

3. Route the cables so the machine is free to move front to back and side to side without hanging up on them.

